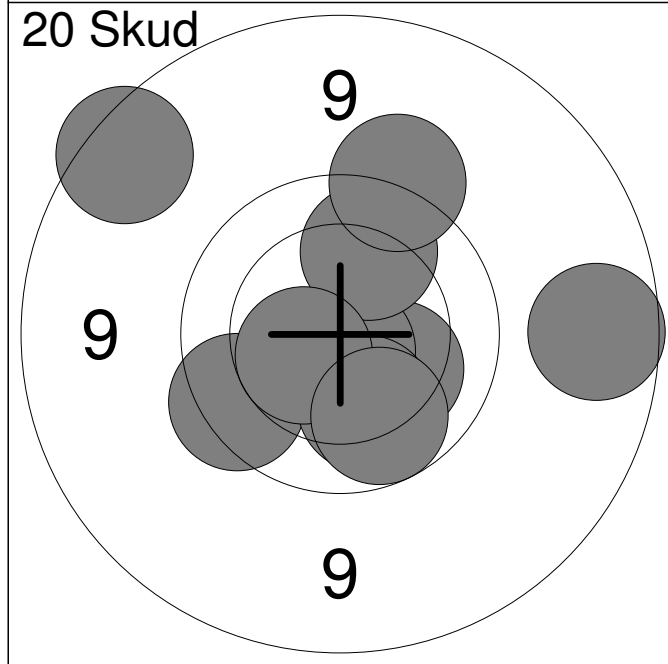
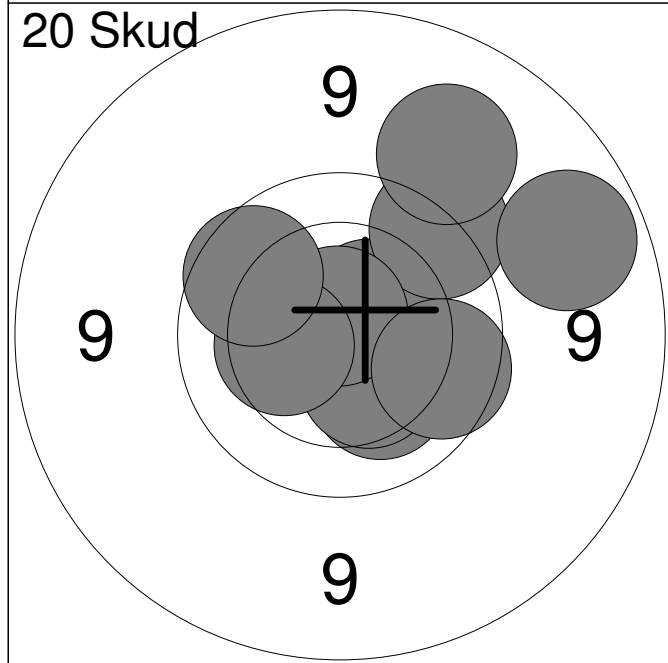


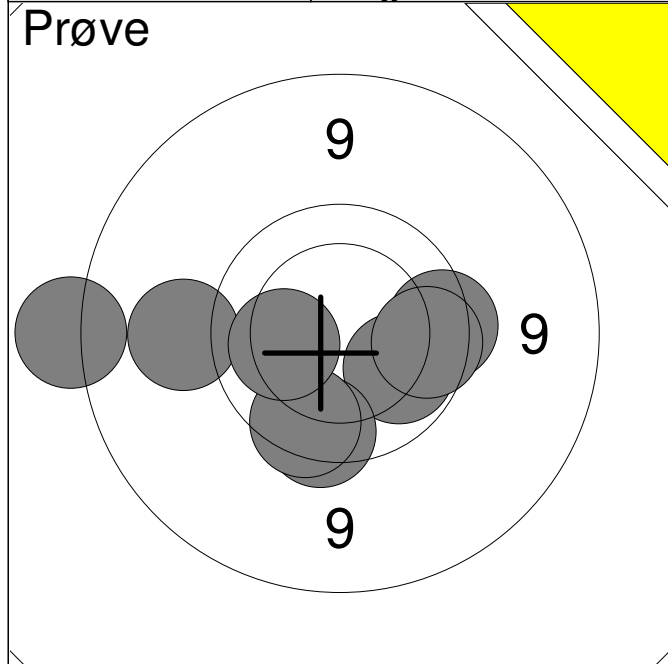
1:	9.5	↓
2:	10.0	↗
3:	9.4	←
4:	9.9	↙
5:	10.2	↑
<b>Serie</b>		<b>47.0</b>
<b>Total</b>		<b>0.0</b>



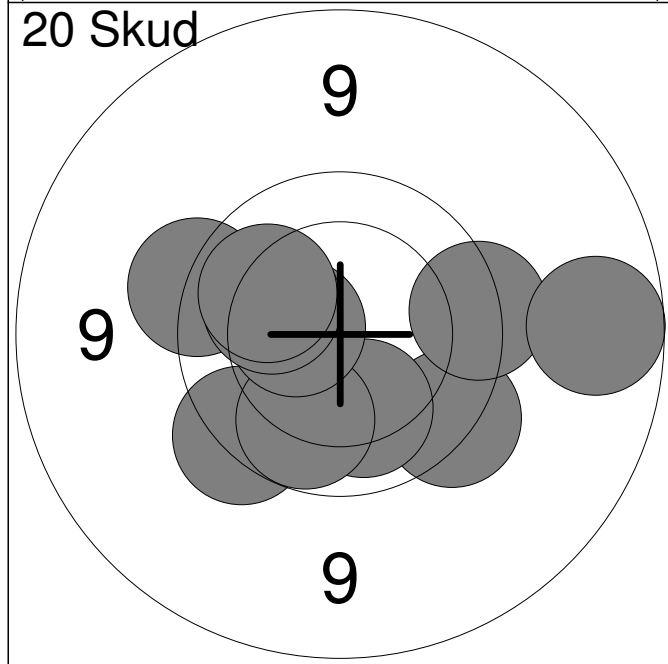
1:	9.7	↙
2:	10.2	↘
3:	10.8x	↓
4:	10.1	↓
5:	10.0	↑
6:	8.9	→
7:	10.5	↙
8:	9.5	↑
9:	8.8	↗
10:	10.0	↓
<b>Serie</b>		<b>94.0</b>
<b>Total</b>		<b>94.0</b>



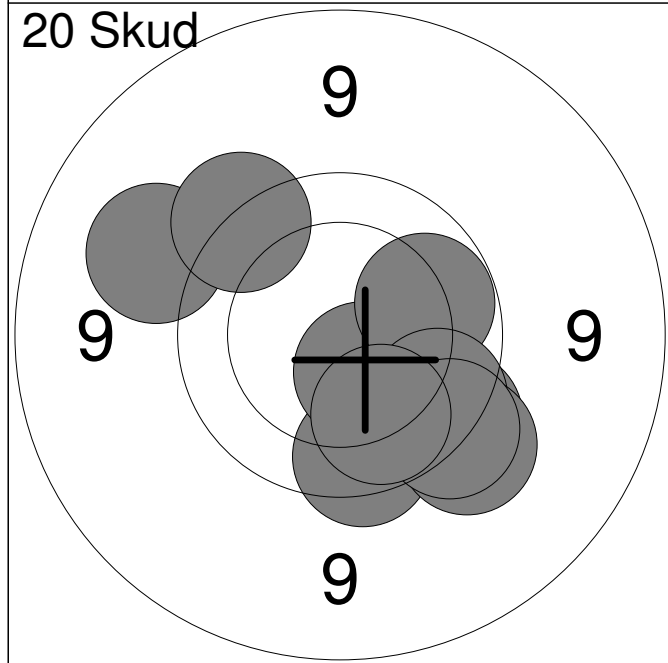
11:	10.5x	↗
12:	9.6	↗
13:	10.2	↓
14:	10.4	↓
15:	9.0	→
16:	9.2	↗
17:	10.7x	↑
18:	10.3	←
19:	9.9	↘
20:	9.9	↗
<b>Serie</b>		<b>95.0</b>
<b>Total</b>		<b>189.0</b>



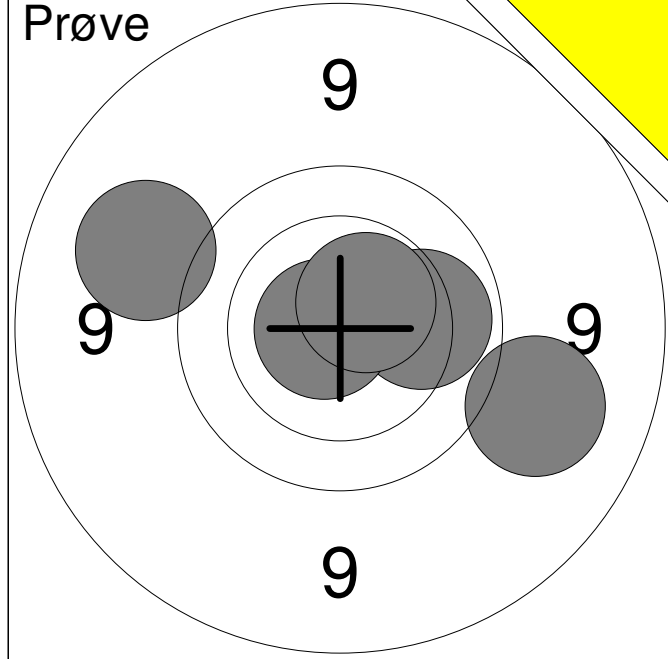
1:	9.7	→
2:	10.0	↘
3:	9.7	↓
4:	9.3	←
5:	8.6	←
6:	9.8	↘
7:	10.2	←
8:	9.8	→
<b>Serie</b>		<b>73.0</b>
<b>Total</b>		<b>0.0</b>



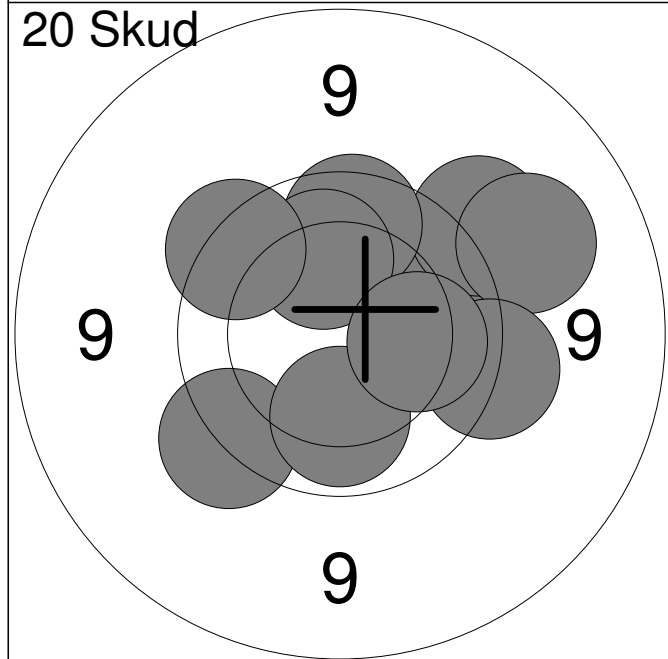
1:	9.7	↘
2:	9.6	↗
3:	9.6	↘
4:	10.1	↓
5:	10.0	↘
6:	10.5	↗
7:	10.1	↗
8:	9.7	→
9:	10.0	↗
10:	8.9	→
<b>Serie</b>		<b>94.0</b>
<b>Total</b>		<b>94.0</b>



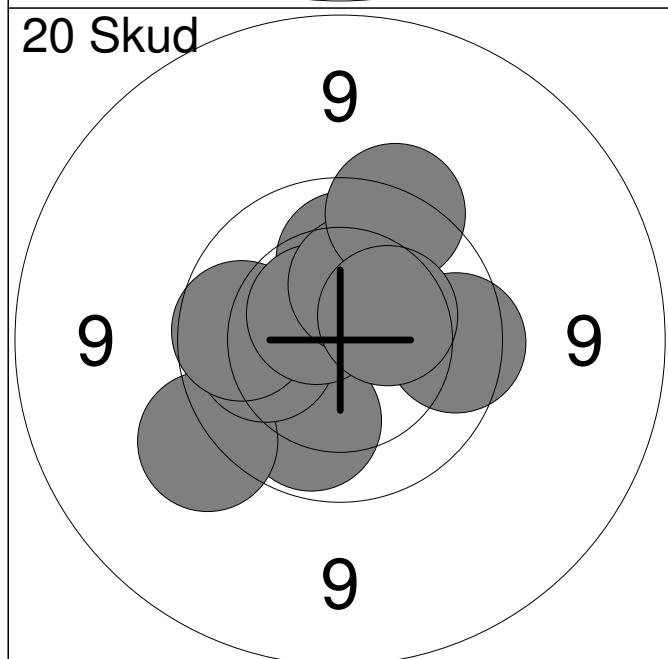
11:	9.8	↓
12:	10.5	↘
13:	9.7	↘
14:	10.0	→
15:	9.8	↘
16:	9.3	↗
17:	9.5	↘
18:	9.6	↘
19:	10.0	↘
20:	9.6	↗
<b>Serie</b>		<b>93.0</b>
<b>Total</b>		<b>187.0</b>



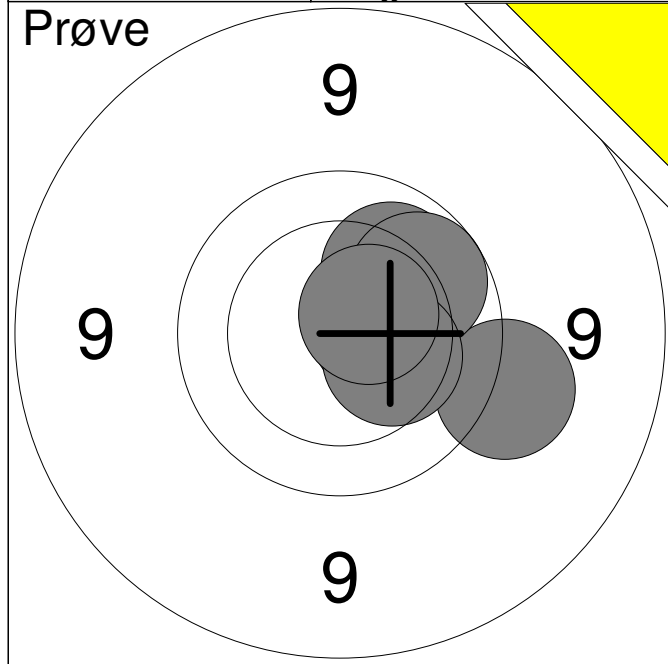
1:	9.2	↖
2:	9.2	→
3:	10.1	→
4:	10.8x	←
5:	10.6x	↗
Serie		48.0
Total		0.0



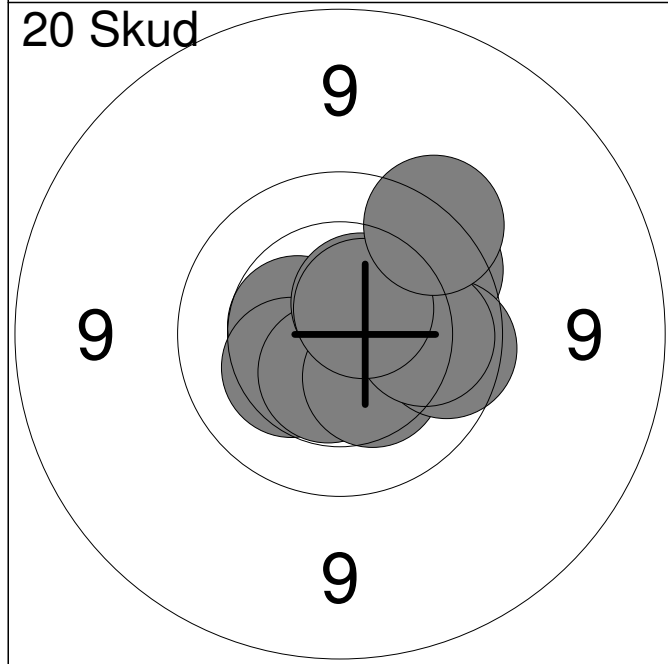
1:	10.0	↗
2:	9.4	↗
3:	9.6	↙
4:	10.1	↓
5:	9.8	↑
6:	9.2	↗
7:	9.6	→
8:	10.1	↑
9:	9.7	↗
10:	10.1	→
Serie		94.0
Total		94.0



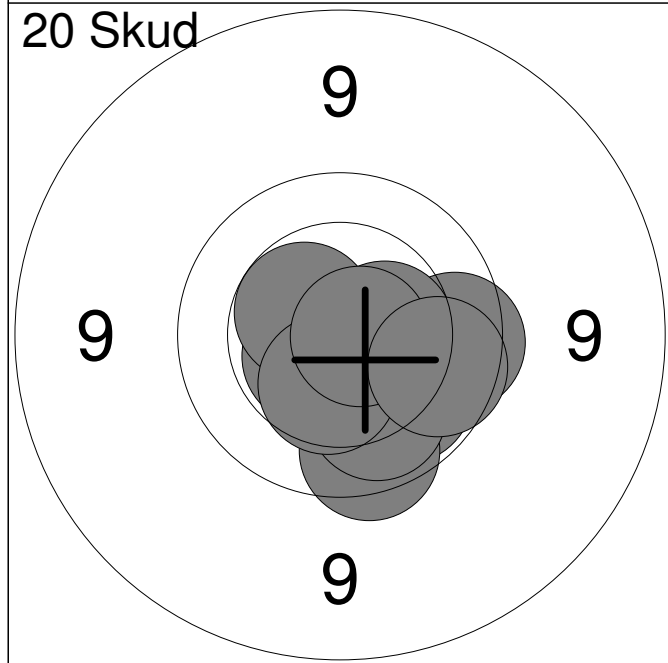
11:	9.8	→
12:	10.0	↓
13:	9.5	↙
14:	10.1	←
15:	10.1	↑
16:	9.9	←
17:	10.6x	↖
18:	10.3	↑
19:	9.7	↗
20:	10.4	↗
Serie		96.0
Total		190.0



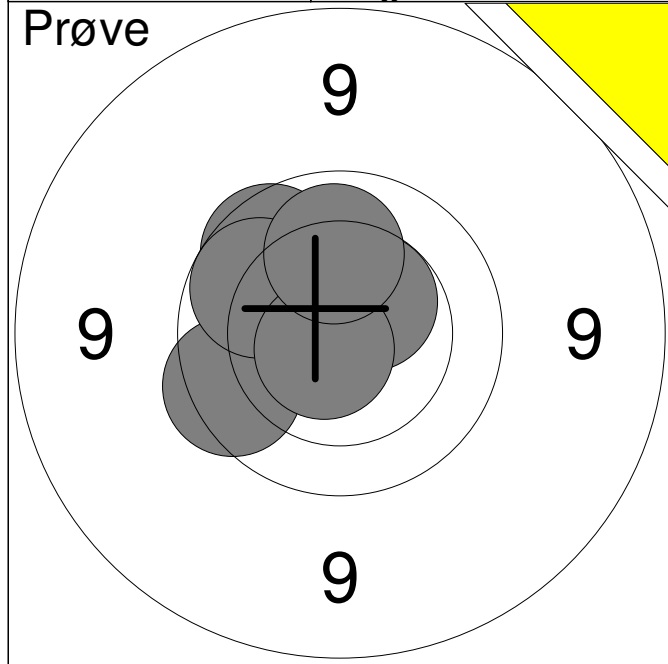
1:	9.4	→
2:	10.5x	→
3:	10.1	↗
4:	9.9	↗
5:	10.3	→
6:	10.6x	↗
<b>Serie</b>		<b>58.0</b>
<b>Total</b>		<b>0.0</b>



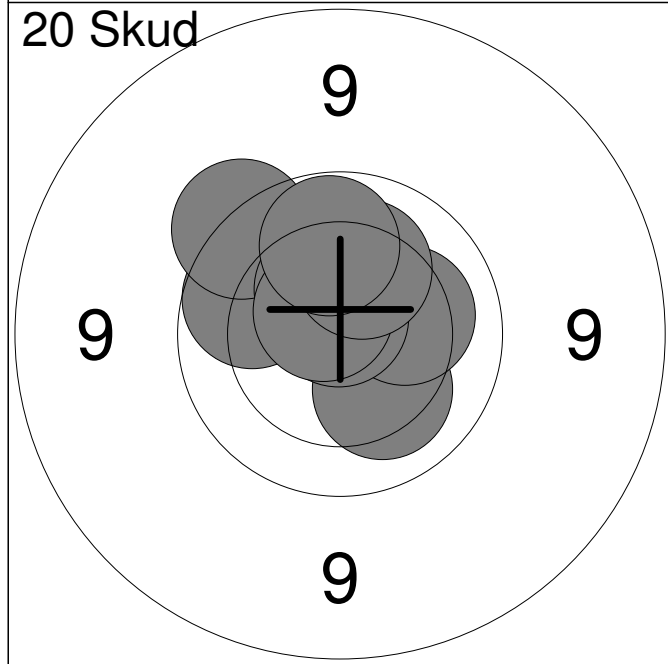
1:	10.5	←
2:	10.3	↙
3:	10.5x	↓
4:	10.5x	↗
5:	9.8	↗
6:	10.4	↓
7:	9.9	→
8:	10.0	→
9:	10.6x	↗
10:	9.6	↗
<b>Serie</b>		<b>97.0</b>
<b>Total</b>		<b>97.0</b>



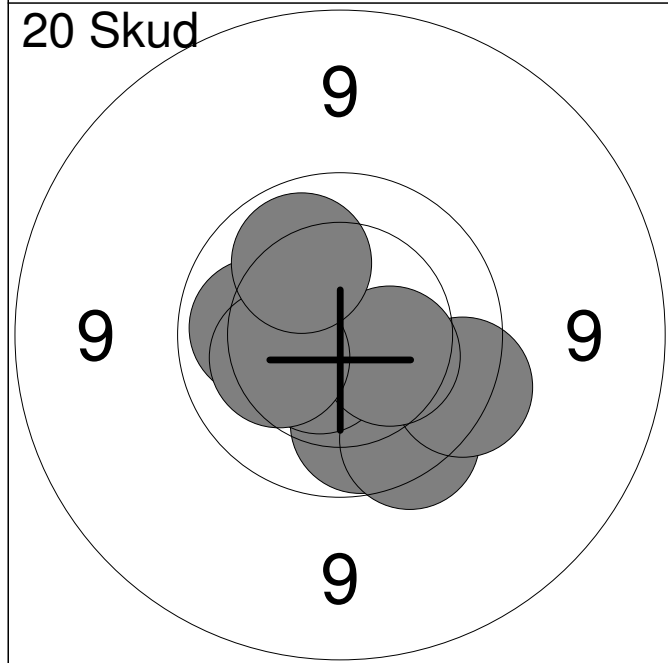
11:	10.0	↓
12:	10.6x	↙
13:	9.8	↓
14:	10.5x	↗
15:	10.0	↓
16:	9.8	→
17:	10.4	↓
18:	10.5	→
19:	10.7x	→
20:	9.9	→
<b>Serie</b>		<b>97.0</b>
<b>Total</b>		<b>194.0</b>



1:	10.3	↑
2:	9.8	↙
3:	10.5x	↗
4:	9.9	↗
5:	10.0	↗
6:	10.7x	↙
7:	10.1	↑
<b>Serie</b>		<b>68.0</b>
<b>Total</b>		<b>0.0</b>



1:	9.9	↖
2:	10.2	↘
3:	9.6	↗
4:	10.4	↗
5:	10.4	↑
6:	10.2	→
7:	10.8x	↑
8:	10.6x	↗
9:	10.2	↗
10:	10.0	↑
<b>Serie</b>		<b>98.0</b>
<b>Total</b>		<b>98.0</b>

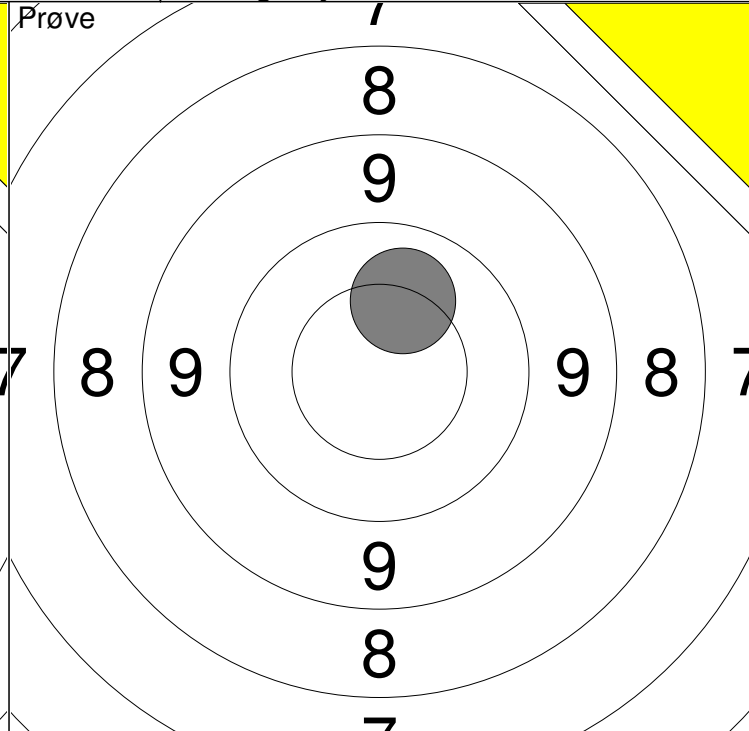
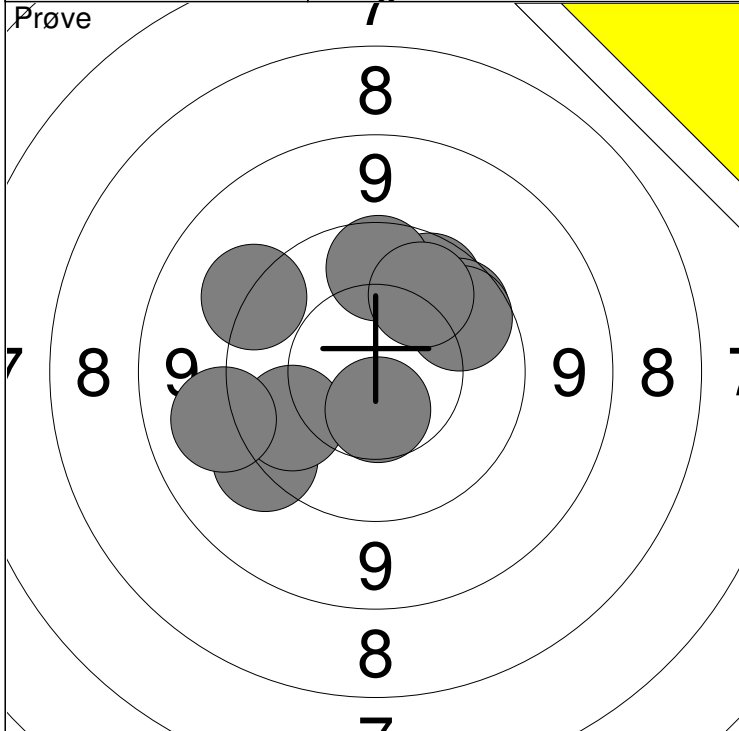


11:	10.5x	↓
12:	10.0	↓
13:	10.6x	←
14:	9.7	↘
15:	10.1	←
16:	9.7	↘
17:	10.6x	↙
18:	10.4	↘
19:	10.3	↙
20:	10.1	↗
<b>Serie</b>		<b>98.0</b>
<b>Total</b>		<b>196.0</b>

<p><b>Prøve</b></p>	<table style="width:100%; border-collapse: collapse;"> <tr><td style="width:10%;">1:</td><td style="width:70%;">9.5</td><td style="width:20%; text-align:right;">↑</td></tr> <tr><td>2:</td><td>9.7</td><td style="text-align:right;">↖</td></tr> <tr><td>3:</td><td>10.2</td><td style="text-align:right;">↘</td></tr> <tr><td>4:</td><td>10.4</td><td style="text-align:right;">↗</td></tr> <tr><td>5:</td><td>9.7</td><td style="text-align:right;">↖</td></tr> <tr><td>6:</td><td>9.5</td><td style="text-align:right;">↗</td></tr> <tr><td>7:</td><td>9.9</td><td style="text-align:right;">↗</td></tr> <tr><td>8:</td><td>10.4</td><td style="text-align:right;">↘</td></tr> <tr><td colspan="2"><b>Serie</b></td><td style="text-align:right;"><b>75.0</b></td></tr> <tr><td colspan="2"><b>Total</b></td><td style="text-align:right;"><b>0.0</b></td></tr> </table>	1:	9.5	↑	2:	9.7	↖	3:	10.2	↘	4:	10.4	↗	5:	9.7	↖	6:	9.5	↗	7:	9.9	↗	8:	10.4	↘	<b>Serie</b>		<b>75.0</b>	<b>Total</b>		<b>0.0</b>
1:	9.5	↑																													
2:	9.7	↖																													
3:	10.2	↘																													
4:	10.4	↗																													
5:	9.7	↖																													
6:	9.5	↗																													
7:	9.9	↗																													
8:	10.4	↘																													
<b>Serie</b>		<b>75.0</b>																													
<b>Total</b>		<b>0.0</b>																													

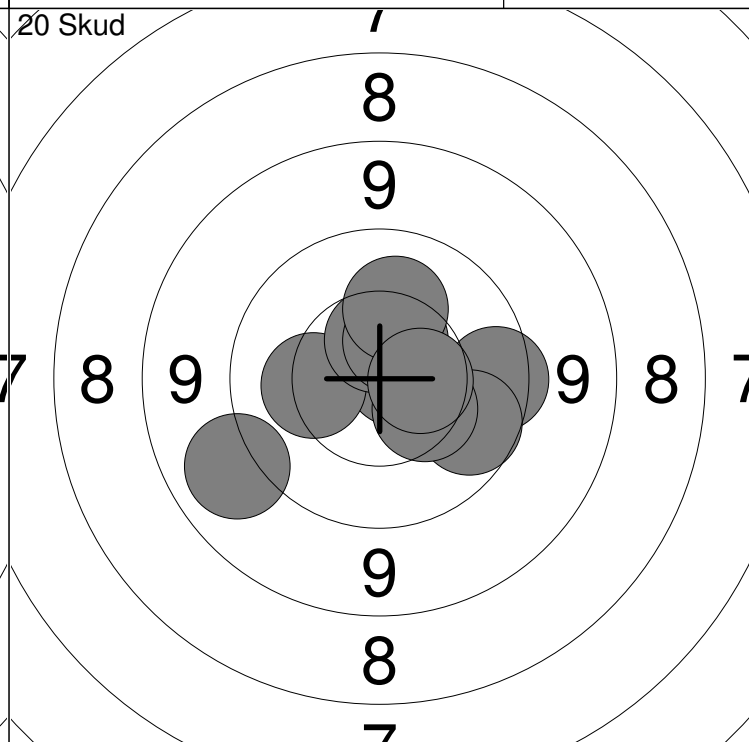
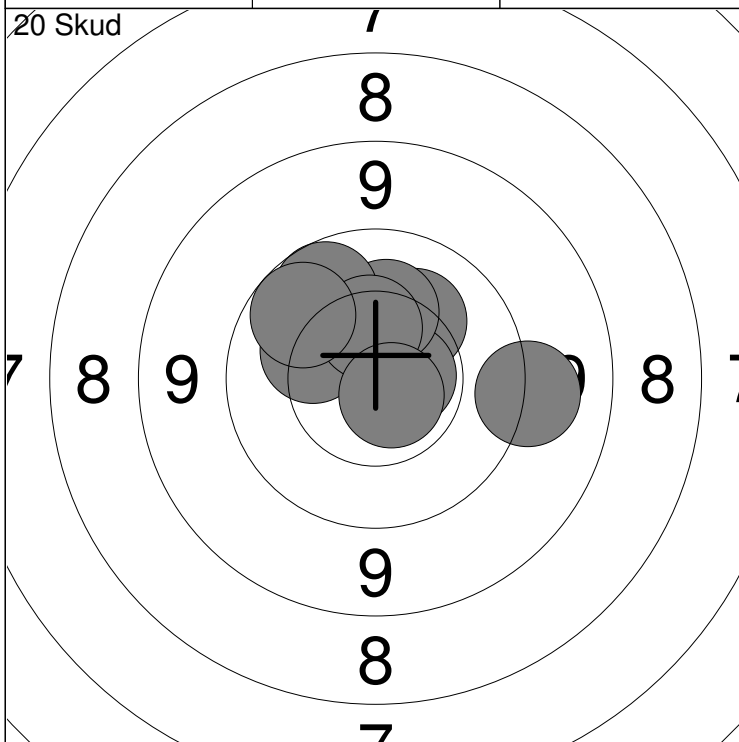
<p><b>20 Skud</b></p>	<table style="width:100%; border-collapse: collapse;"> <tr><td style="width:10%;">1:</td><td style="width:70%;">10.3</td><td style="width:20%; text-align:right;">↗</td></tr> <tr><td>2:</td><td>10.6x</td><td style="text-align:right;">←</td></tr> <tr><td>3:</td><td>9.8</td><td style="text-align:right;">↑</td></tr> <tr><td>4:</td><td>9.8</td><td style="text-align:right;">↘</td></tr> <tr><td>5:</td><td>9.8</td><td style="text-align:right;">↘</td></tr> <tr><td>6:</td><td>10.5</td><td style="text-align:right;">←</td></tr> <tr><td>7:</td><td>8.9</td><td style="text-align:right;">←</td></tr> <tr><td>8:</td><td>10.0</td><td style="text-align:right;">↑</td></tr> <tr><td>9:</td><td>9.9</td><td style="text-align:right;">↘</td></tr> <tr><td>10:</td><td>10.0</td><td style="text-align:right;">↘</td></tr> <tr><td colspan="2"><b>Serie</b></td><td style="text-align:right;"><b>94.0</b></td></tr> <tr><td colspan="2"><b>Total</b></td><td style="text-align:right;"><b>94.0</b></td></tr> </table>	1:	10.3	↗	2:	10.6x	←	3:	9.8	↑	4:	9.8	↘	5:	9.8	↘	6:	10.5	←	7:	8.9	←	8:	10.0	↑	9:	9.9	↘	10:	10.0	↘	<b>Serie</b>		<b>94.0</b>	<b>Total</b>		<b>94.0</b>
1:	10.3	↗																																			
2:	10.6x	←																																			
3:	9.8	↑																																			
4:	9.8	↘																																			
5:	9.8	↘																																			
6:	10.5	←																																			
7:	8.9	←																																			
8:	10.0	↑																																			
9:	9.9	↘																																			
10:	10.0	↘																																			
<b>Serie</b>		<b>94.0</b>																																			
<b>Total</b>		<b>94.0</b>																																			

<p><b>20 Skud</b></p>	<table style="width:100%; border-collapse: collapse;"> <tr><td style="width:10%;">11:</td><td style="width:70%;">9.1</td><td style="width:20%; text-align:right;">→</td></tr> <tr><td>12:</td><td>9.0</td><td style="text-align:right;">→</td></tr> <tr><td>13:</td><td>9.6</td><td style="text-align:right;">↖</td></tr> <tr><td>14:</td><td>10.3</td><td style="text-align:right;">↓</td></tr> <tr><td>15:</td><td>10.8x</td><td style="text-align:right;">↗</td></tr> <tr><td>16:</td><td>10.3</td><td style="text-align:right;">↗</td></tr> <tr><td>17:</td><td>10.4</td><td style="text-align:right;">↗</td></tr> <tr><td>18:</td><td>9.3</td><td style="text-align:right;">←</td></tr> <tr><td>19:</td><td>9.8</td><td style="text-align:right;">←</td></tr> <tr><td>20:</td><td>10.1</td><td style="text-align:right;">←</td></tr> <tr><td colspan="2"><b>Serie</b></td><td style="text-align:right;"><b>95.0</b></td></tr> <tr><td colspan="2"><b>Total</b></td><td style="text-align:right;"><b>189.0</b></td></tr> </table>	11:	9.1	→	12:	9.0	→	13:	9.6	↖	14:	10.3	↓	15:	10.8x	↗	16:	10.3	↗	17:	10.4	↗	18:	9.3	←	19:	9.8	←	20:	10.1	←	<b>Serie</b>		<b>95.0</b>	<b>Total</b>		<b>189.0</b>
11:	9.1	→																																			
12:	9.0	→																																			
13:	9.6	↖																																			
14:	10.3	↓																																			
15:	10.8x	↗																																			
16:	10.3	↗																																			
17:	10.4	↗																																			
18:	9.3	←																																			
19:	9.8	←																																			
20:	10.1	←																																			
<b>Serie</b>		<b>95.0</b>																																			
<b>Total</b>		<b>189.0</b>																																			



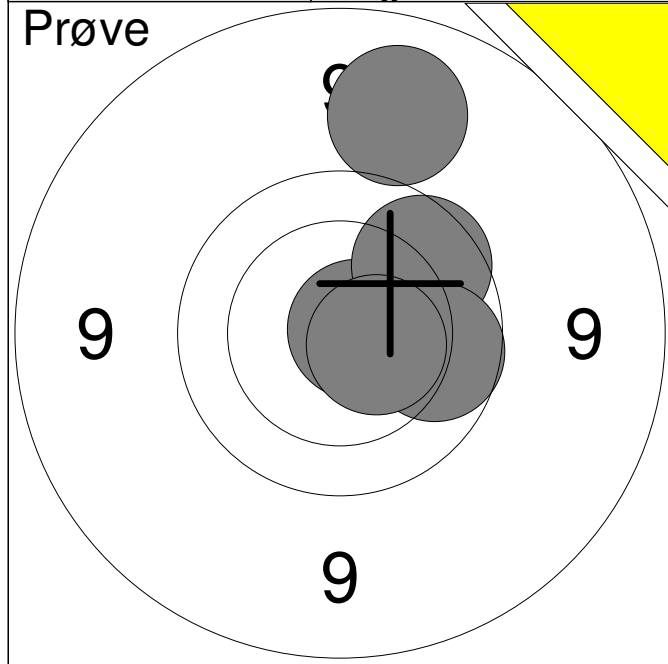
1: 9.9 ↗	6: 9.5 ↙	Serie	93
2: 9.9 ↑	7: 10.0 ↙		
3: 9.9 ↗	8: 10.0 ↗	Total	0
4: 9.4 ↖	9: 10.6 ↓		
5: 9.9 ↗	10: 9.2 ←		

11: 10.2 ↗	Serie	10
	Total	0

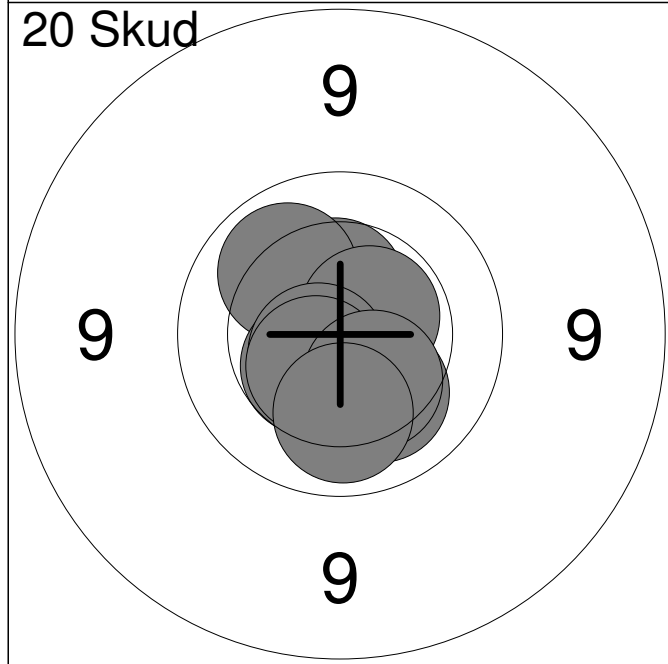


1: 10.3 ↖	6: 9.3 →	Serie	98
2: 10.2 ↗	7: 10.2 ↖		
3: 10.7x →	8: 10.4 ↑	Total	98
4: 10.3 ↑	9: 10.7x ↘		
5: 9.9 ↖	10: 10.0 ↗		

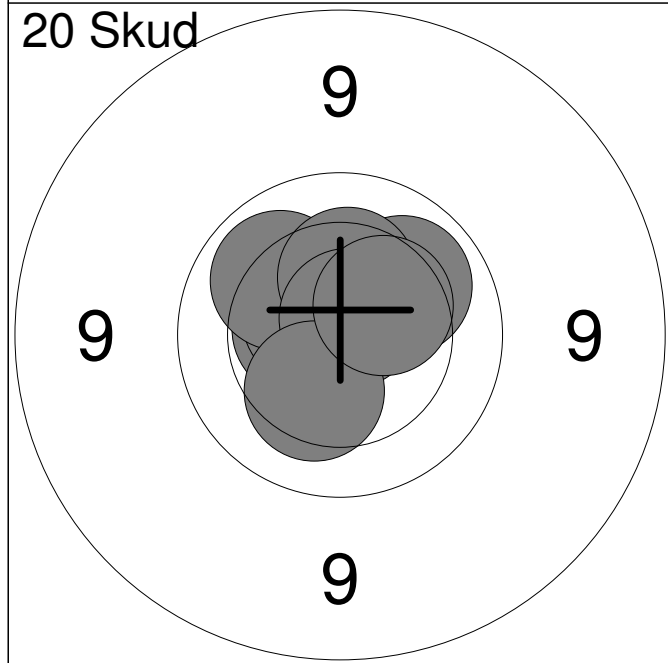
11: 10.8x →	16: 9.9 ↘	Serie	97
12: 10.3 ←	17: 10.4 ↘		
13: 10.5 ↑	18: 9.2 ↙	Total	195
14: 10.5 ↗	19: 10.2 ↑		
15: 9.7 →	20: 10.5 →		



1:	9.1	↑
2:	10.8x	→
3:	9.9	↗
4:	9.9	→
5:	10.5x	↘
<b>Serie</b>		<b>47.0</b>
<b>Total</b>		<b>0.0</b>

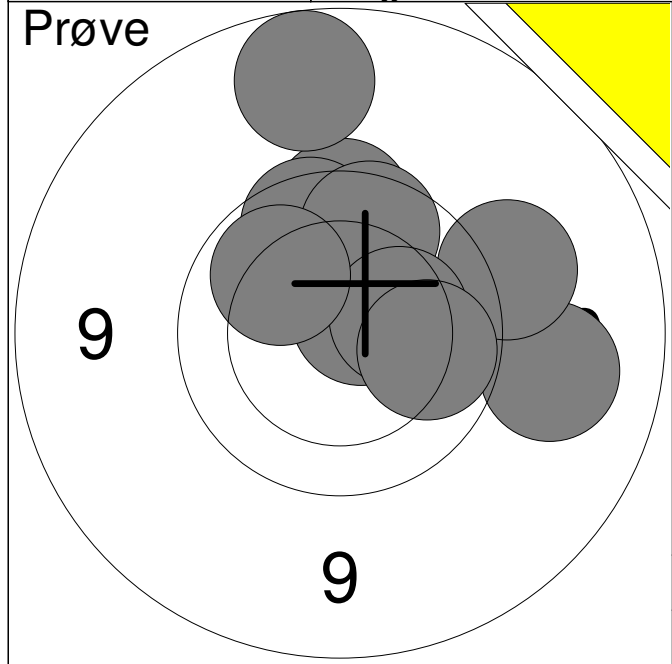


1:	10.5	↑
2:	10.1	↗
3:	10.2	↓
4:	10.5	↙
5:	10.6x	→
6:	10.4	↓
7:	10.6x	↙
8:	10.5x	↙
9:	10.3	↓
10:	10.1	↓
<b>Serie</b>		<b>100.0</b>
<b>Total</b>		<b>100.0</b>

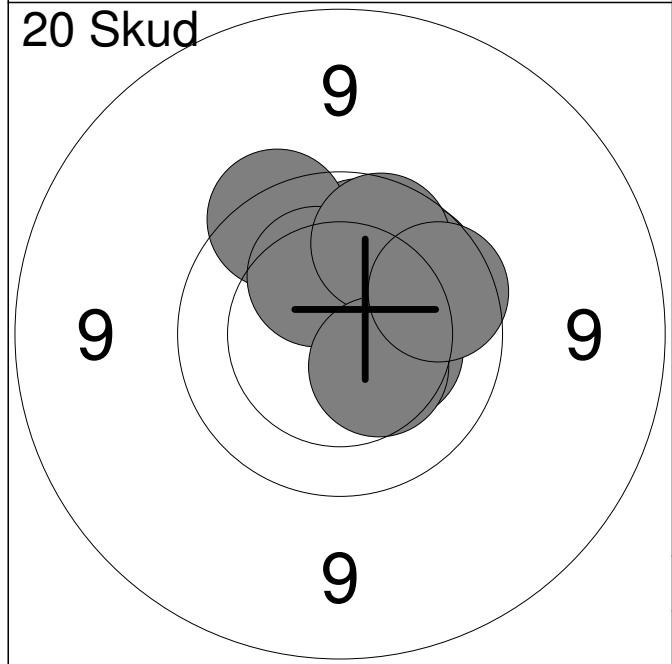


11:	10.3	↗
12:	10.5x	←
13:	10.4	↗
14:	10.6x	↗
15:	10.1	↗
16:	10.1	↗
17:	10.3	↑
18:	10.7x	↗
19:	10.3	↓
20:	10.4	↗
<b>Serie</b>		<b>100.0</b>
<b>Total</b>		<b>200.0</b>

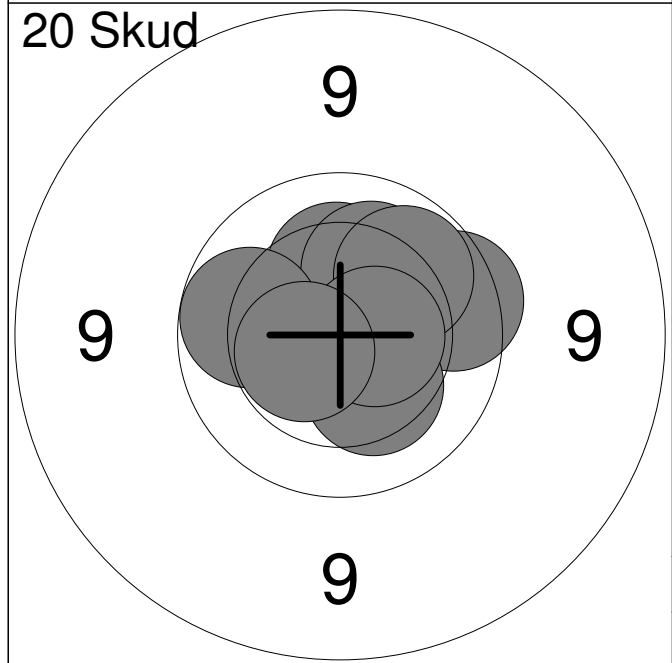




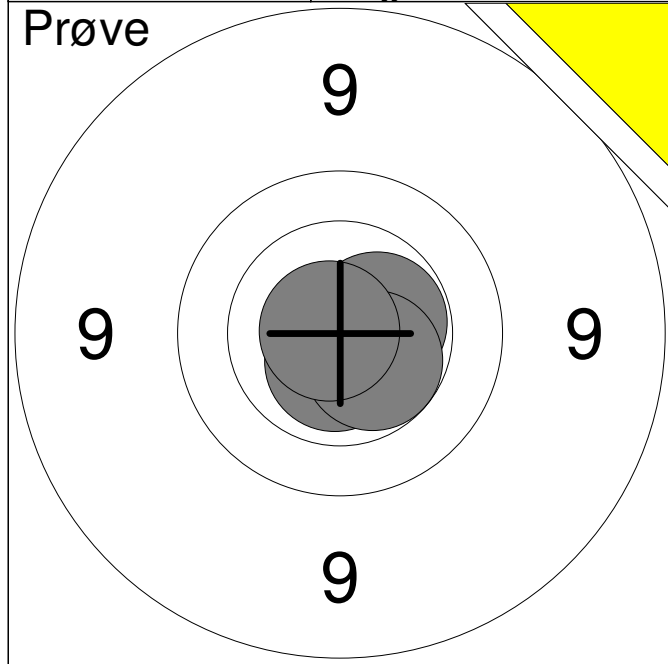
1:	9.8	↑
2:	9.0	↑
3:	10.6x	↗
4:	9.2	→
5:	9.8	↑
6:	9.9	↑
7:	9.4	↗
8:	10.3	→
9:	10.0	→
10:	10.0	↖
<b>Serie</b>		<b>94.0</b>
<b>Total</b>		<b>0.0</b>



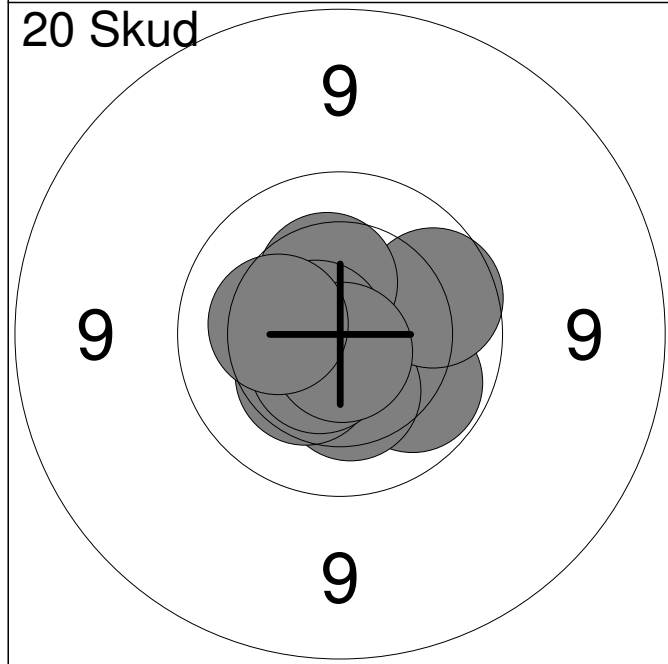
1:	10.0	↑
2:	10.1	↗
3:	9.7	↑
4:	10.3	→
5:	10.3	↑
6:	9.9	↗
7:	10.0	→
8:	9.9	↑
9:	10.4	↘
10:	9.9	→
<b>Serie</b>		<b>96.0</b>
<b>Total</b>		<b>96.0</b>



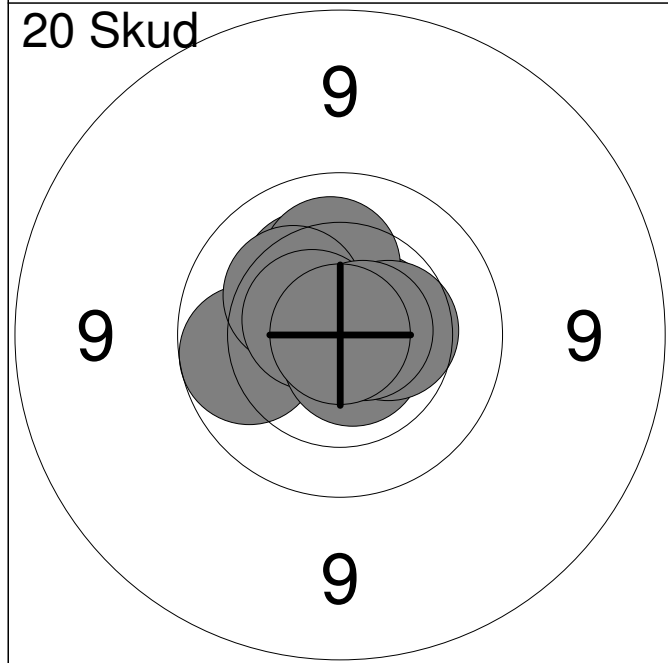
11:	9.8	→
12:	10.7x	↑
13:	10.5x	↑
14:	10.3	↑
15:	10.2	↑
16:	10.0	↗
17:	10.3	↘
18:	10.6x	→
19:	10.0	←
20:	10.5x	←
<b>Serie</b>		<b>99.0</b>
<b>Total</b>		<b>195.0</b>



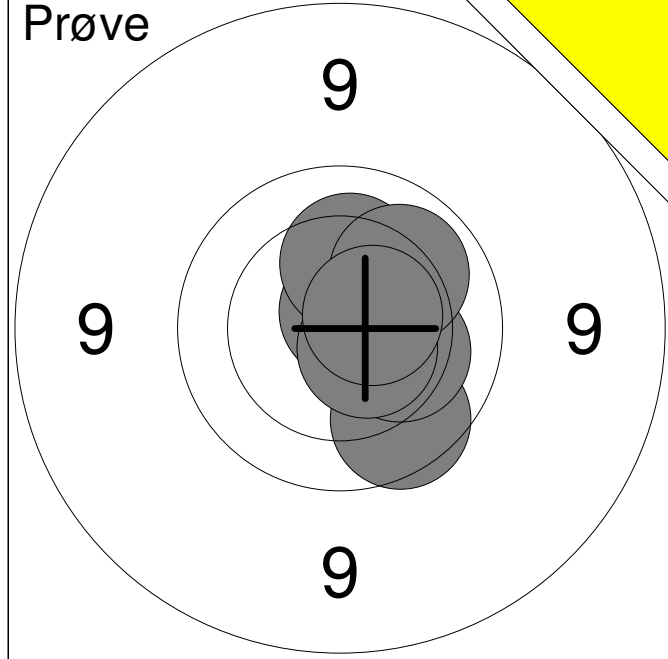
1:	10.6x	↓
2:	10.5x	→
3:	10.5	↓
4:	10.8x	←
<b>Serie</b>		<b>40.0</b>
<b>Total</b>		<b>0.0</b>



1:	10.0	↘
2:	10.3	↓
3:	9.9	→
4:	10.5x	←
5:	10.4	↑
6:	10.4	↓
7:	10.6x	↓
8:	10.7x	←
9:	10.8x	↓
10:	10.3	←
<b>Serie</b>		<b>99.0</b>
<b>Total</b>		<b>99.0</b>

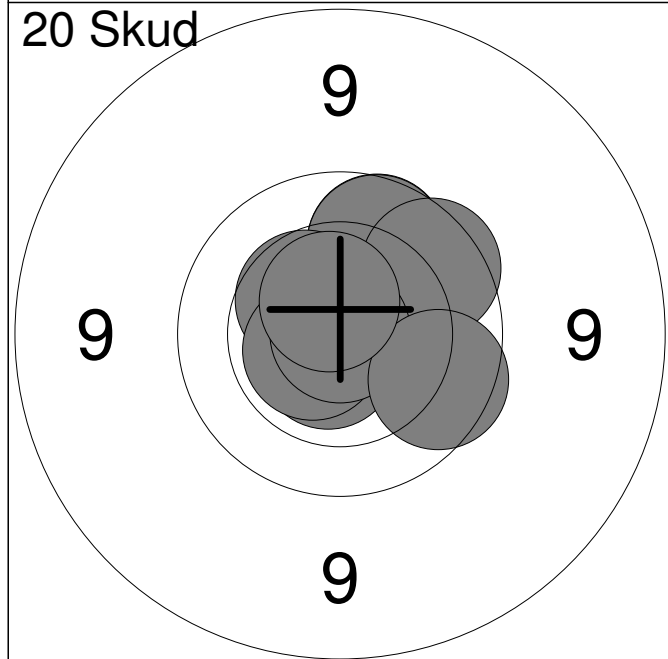


11:	10.3	↗
12:	10.6x	→
13:	10.2	↑
14:	9.9	←
15:	10.3	↗
16:	10.6x	↗
17:	10.7x	↓
18:	10.4	→
19:	10.7x	→
20:	10.9x	↑
<b>Serie</b>		<b>99.0</b>
<b>Total</b>		<b>198.0</b>



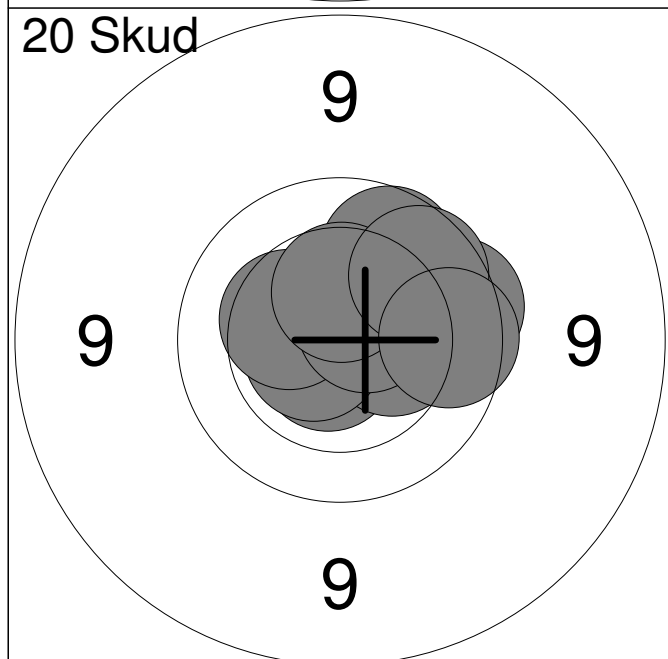
1:	9.9	↘
2:	10.3	↗
3:	10.2	→
4:	10.7x	↗
5:	10.6x	↘
6:	10.2	↑
7:	10.1	↗
8:	10.6x	→

Serie	79.0
Total	0.0



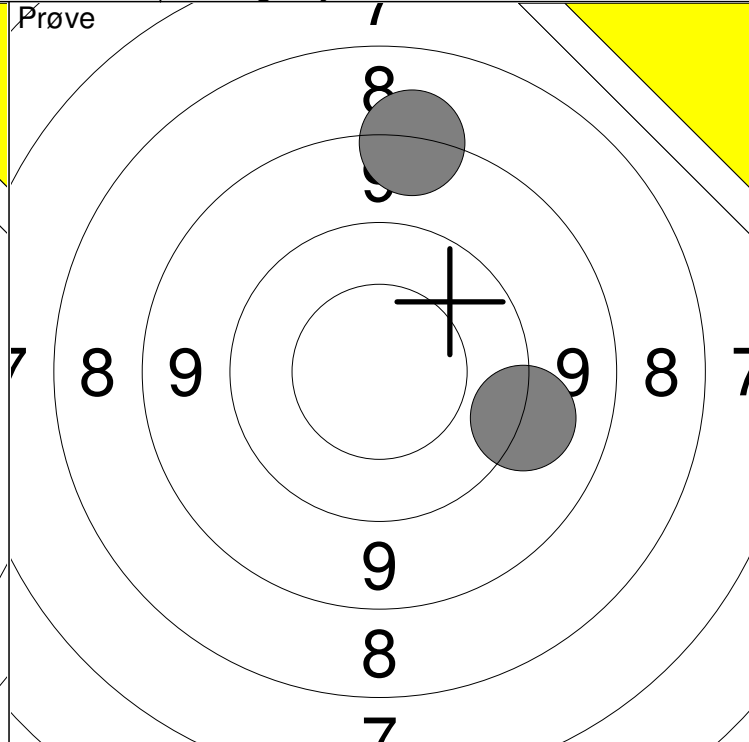
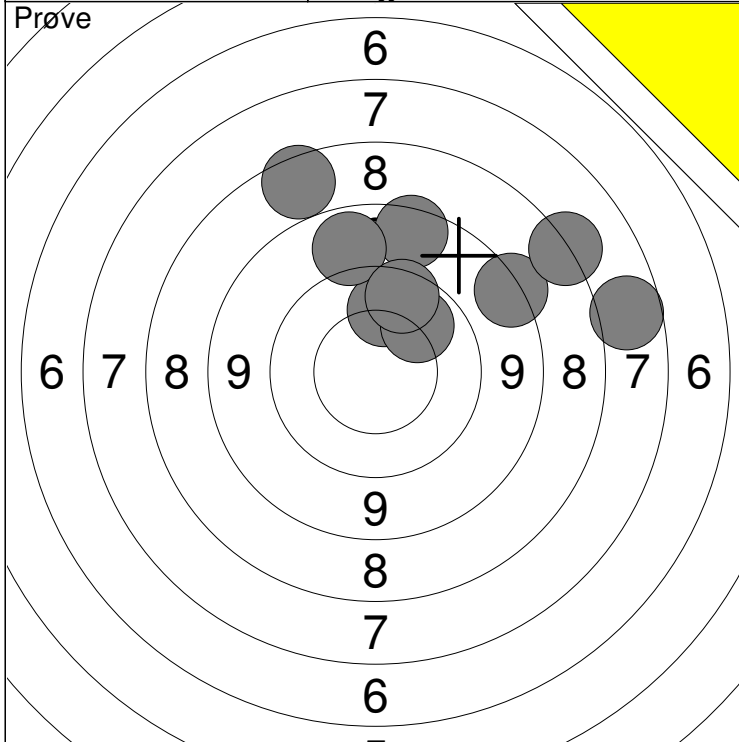
1:	10.1	↗
2:	9.9	↑
3:	10.7x	↙
4:	9.9	↑
5:	10.4	↖
6:	9.8	↗
7:	10.6x	↙
8:	10.9x	↑
9:	9.9	→
10:	10.6x	↑

Serie	96.0
Total	96.0



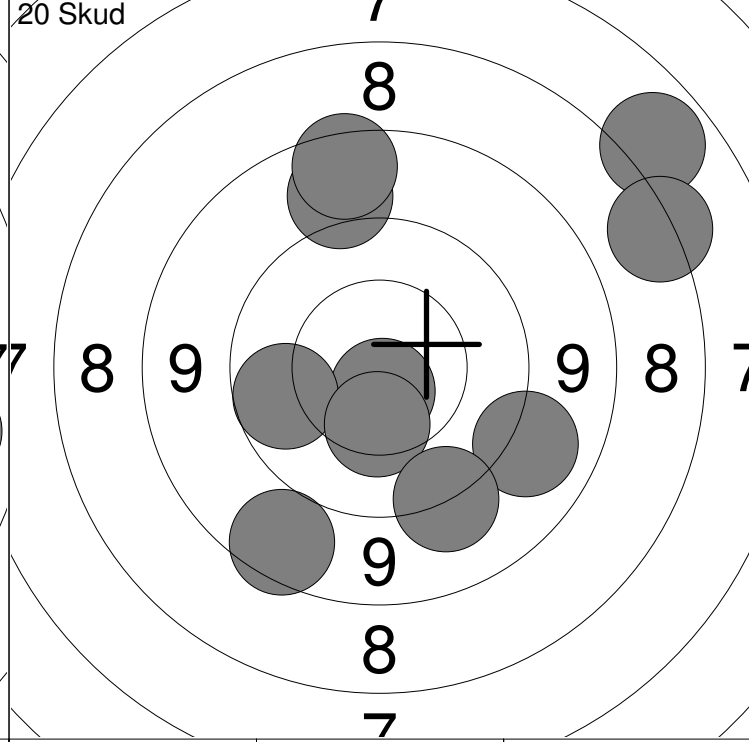
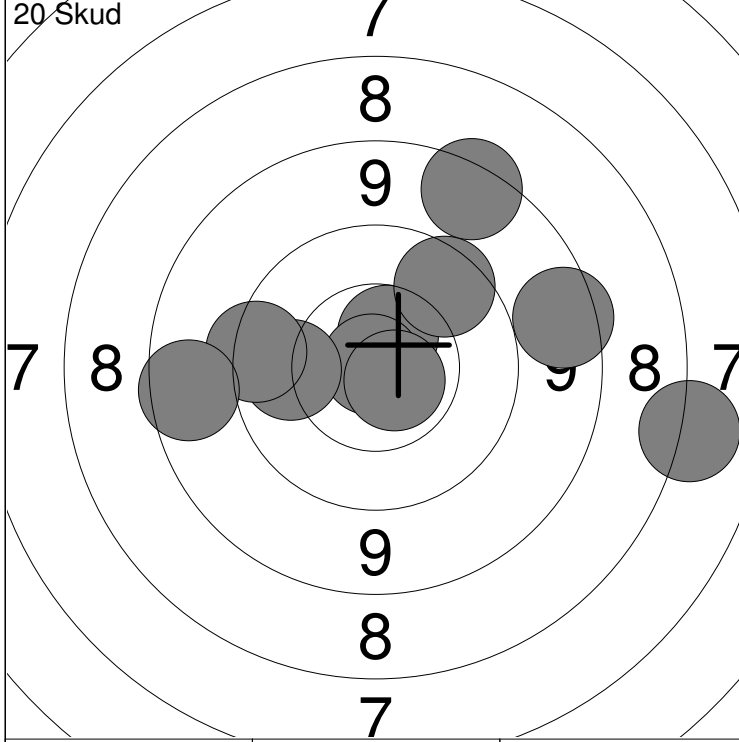
11:	10.7x	↙
12:	9.9	↑
13:	10.4	→
14:	9.8	→
15:	10.6x	↙
16:	10.4	↙
17:	10.6x	↗
18:	10.4	↑
19:	9.9	↗
20:	9.8	→

Serie	96.0
Total	192.0



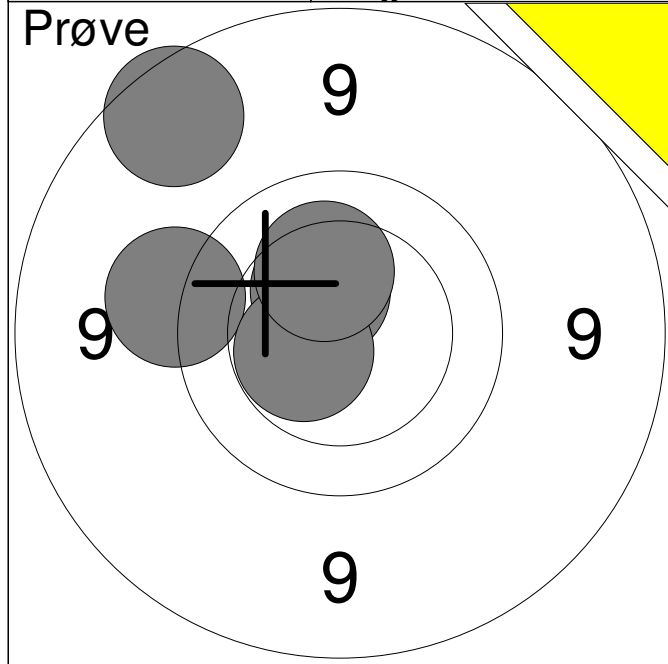
1: 7.8 ↖	6: 6.9 →	Serie	78
2: 8.7 ↑	7: 4.3 ↗		
3: 10.0 ↑	8: 7.4 ↗	Total	0
4: 9.0 ↑	9: 10.0 ↗		
5: 8.5 ↗	10: 9.8 ↑		

11: 8.4 ↑	Serie	17
12: 9.3 →		
Total		0

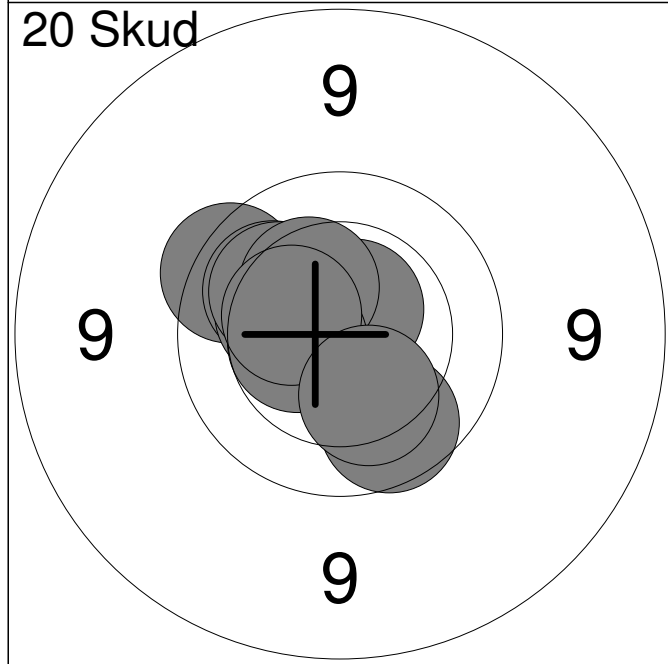


1: 8.7 →	6: 10.0 ←	Serie	89
2: 10.6 ↑	7: 10.7x ↘		
3: 9.8 ↗	8: 9.6 ←	Total	89
4: 10.9x ↖	9: 8.6 ↑		
5: 7.2 →	10: 8.8 ←		

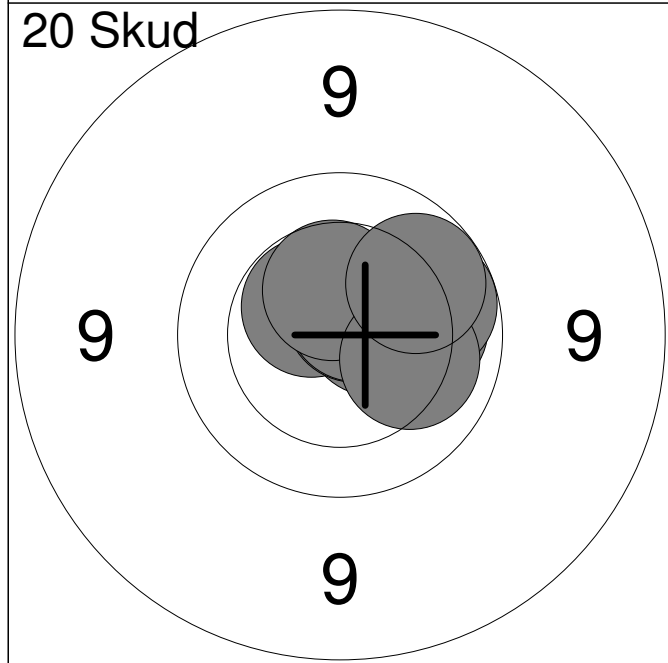
11: 10.7x ↓	16: 8.8 ↘	Serie	86
12: 9.2 →	17: 7.5 ↗		
13: 9.1 ↑	18: 8.7 ↑	Total	175
14: 9.9 ←	19: 10.4 ↓		
15: 7.1 ↗	20: 9.4 ↓		



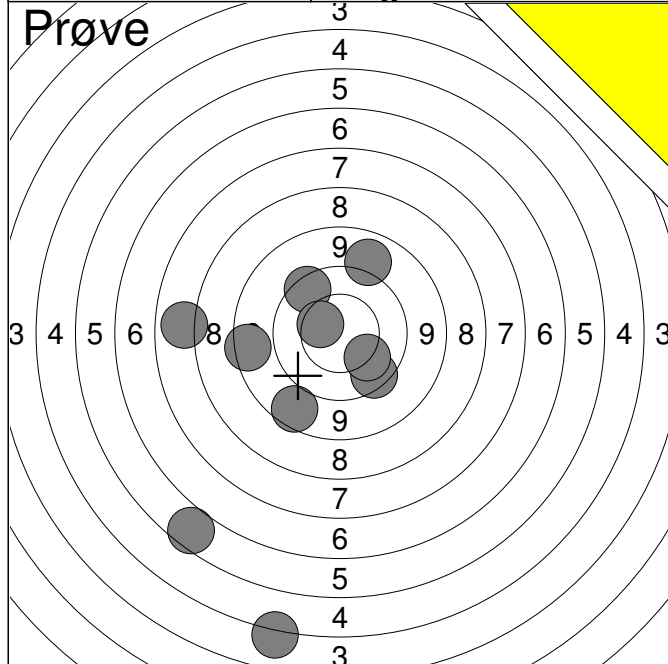
1:	8.9	↗
2:	9.5	↖
3:	10.4	↗
4:	10.5x	↖
5:	10.3	↗
Serie		47.0
Total		0.0



1:	9.7	↗
2:	10.1	↗
3:	10.3	↗
4:	10.1	↗
5:	10.6x	↗
6:	10.3	↗
7:	10.5	↖
8:	10.4	↗
9:	9.9	↘
10:	10.2	↘
Serie		98.0
Total		98.0



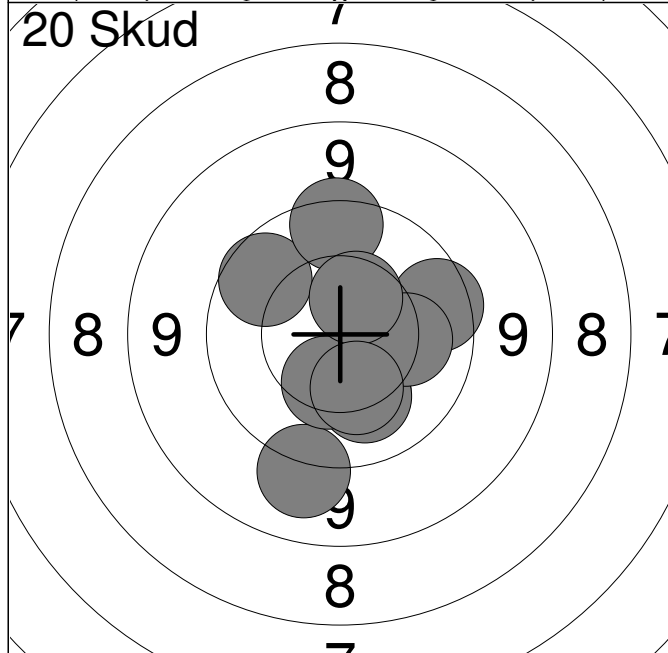
11:	10.5x	↗
12:	10.1	→
13:	10.6x	→
14:	10.7x	↗
15:	10.6x	↗
16:	10.0	→
17:	10.6x	↗
18:	10.5	↗
19:	10.2	→
20:	10.0	↗
Serie		100.0
Total		198.0



1:	3.2	↓
2:	4.8	↙
3:	7.1	←
4:	8.8	↙
5:	9.7	↘
6:	9.1	↗
7:	8.7	←
8:	9.7	↗
9:	10.5	↗
10:	10.1	↘

Serie	77.0
-------	------

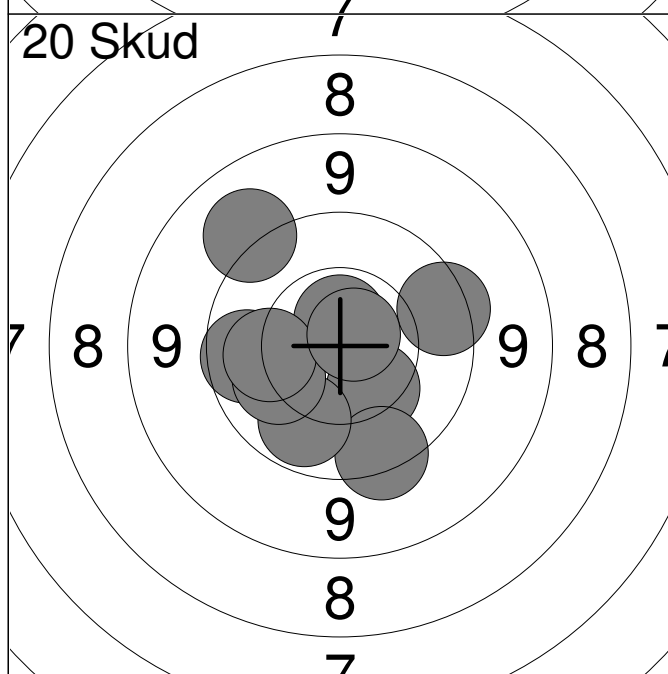
Total	0.0
-------	-----



1:	9.2	↓
2:	9.9	↗
3:	9.8	→
4:	9.7	↑
5:	10.2	↓
6:	10.2	↓
7:	10.4	↓
8:	10.2	→
9:	10.5	↗
10:	10.3	↓

Serie	96.0
-------	------

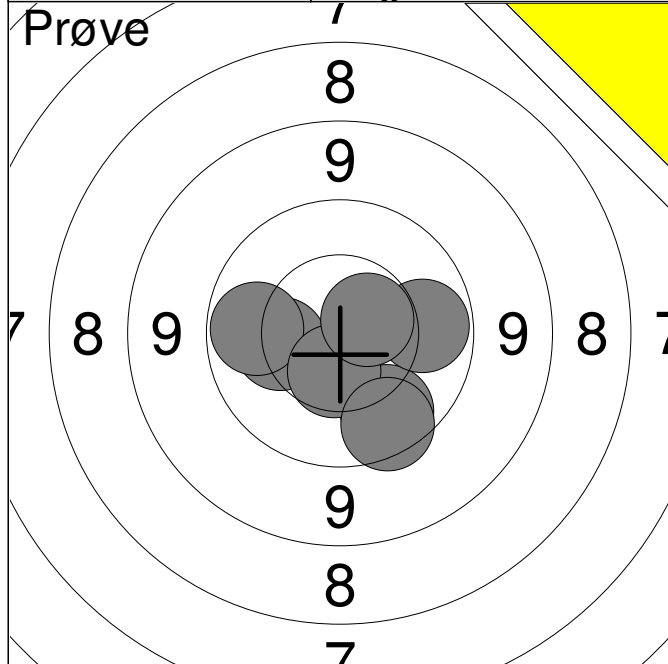
Total	96.0
-------	------



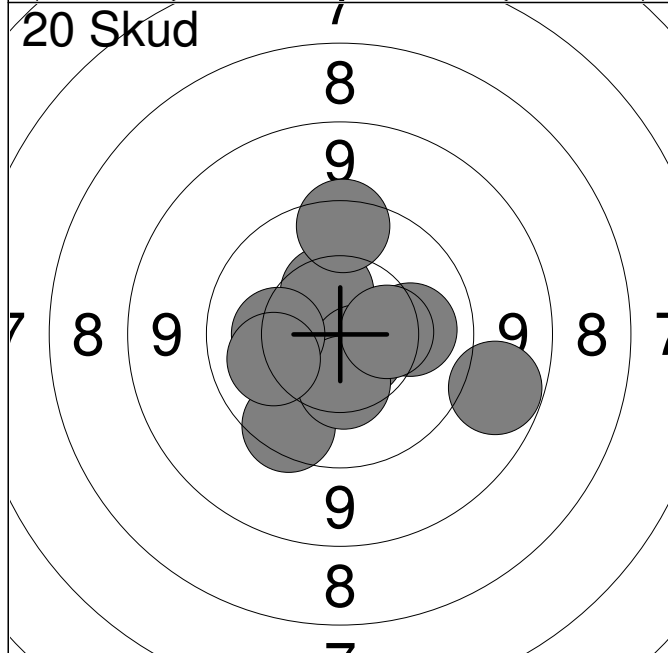
11:	9.6	→
12:	10.3	↓
13:	9.6	↓
14:	9.9	←
15:	10.0	↓
16:	10.7x	↑
17:	10.2	↙
18:	9.2	↗
19:	10.1	←
20:	10.7x	↗

Serie	96.0
-------	------

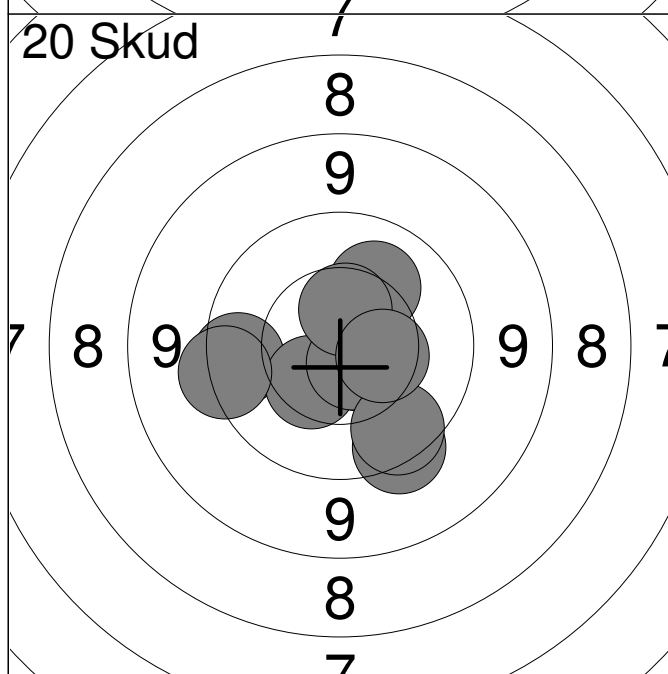
Total	192.0
-------	-------



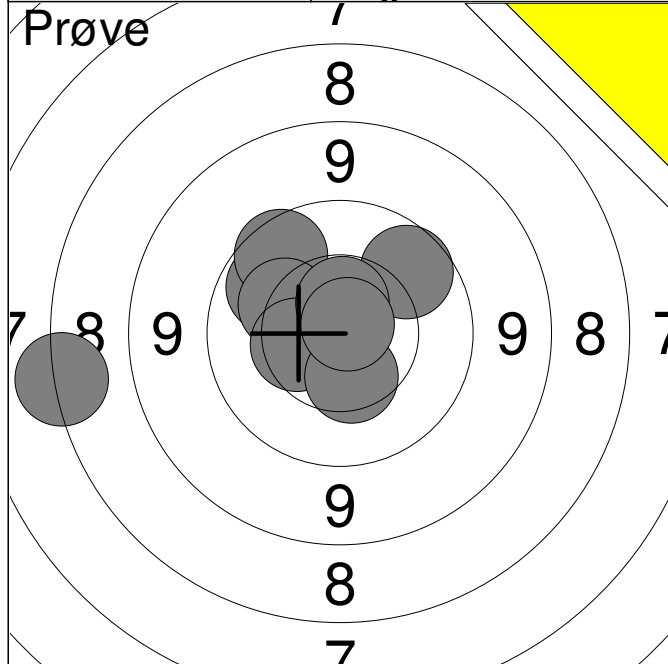
1:	10.3	←
2:	10.0	←
3:	9.9	↘
4:	10.5	↘
5:	10.0	→
6:	9.7	↘
7:	10.6x	↗
<b>Serie</b>		<b>68.0</b>
<b>Total</b>		<b>0.0</b>



1:	9.7	↙
2:	10.4	↑
3:	10.7x	↘
4:	10.4	↘
5:	10.1	→
6:	10.4	→
7:	10.2	←
8:	9.7	↑
9:	10.1	←
10:	9.0	→
<b>Serie</b>		<b>97.0</b>
<b>Total</b>		<b>97.0</b>

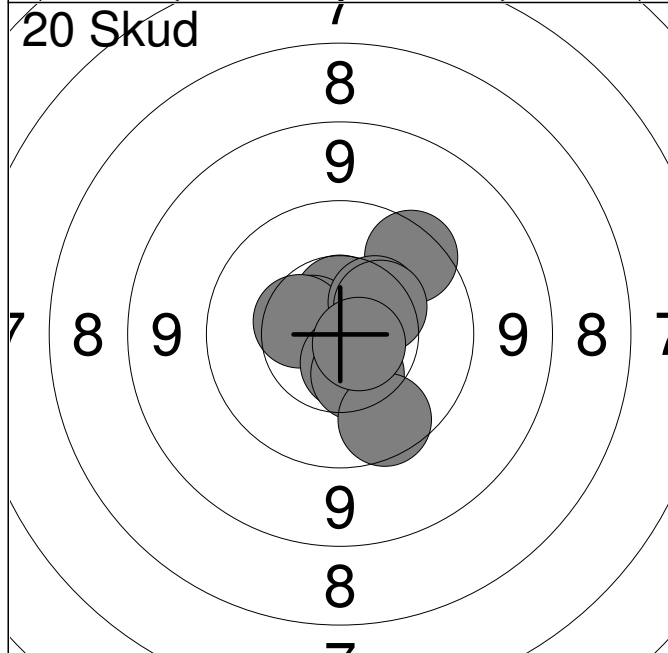


11:	9.7	←
12:	10.4	↙
13:	10.6x	↘
14:	9.5	←
15:	10.7x	↘
16:	9.6	↘
17:	10.2	↗
18:	10.5	↑
19:	9.8	↘
20:	10.5	→
<b>Serie</b>		<b>96.0</b>
<b>Total</b>		<b>193.0</b>



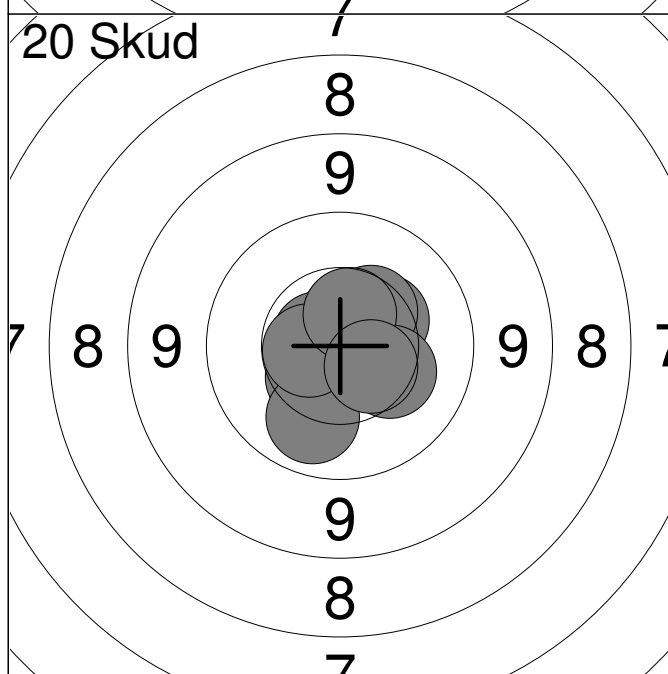
1:	7.4	←
2:	10.0	↗
3:	9.8	↗
4:	10.2	↗
5:	10.4	←
6:	9.9	↗
7:	10.6x	↑
8:	10.4	↓
9:	10.8x	↗

Serie	85.0
Total	0.0



1:	10.6	↑
2:	10.6x	←
3:	10.5	←
4:	9.7	↗
5:	10.6x	↓
6:	10.4	↓
7:	10.4	↗
8:	9.8	↓
9:	10.4	↗
10:	10.7x	↘

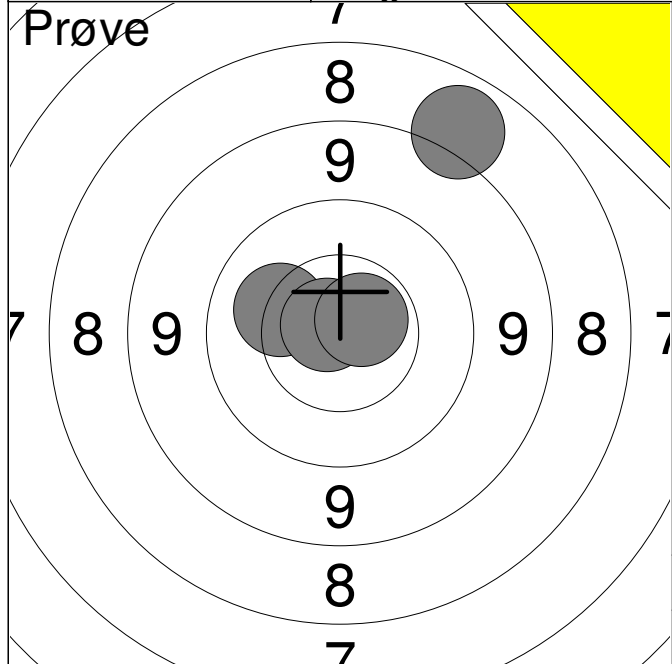
Serie	98.0
Total	98.0



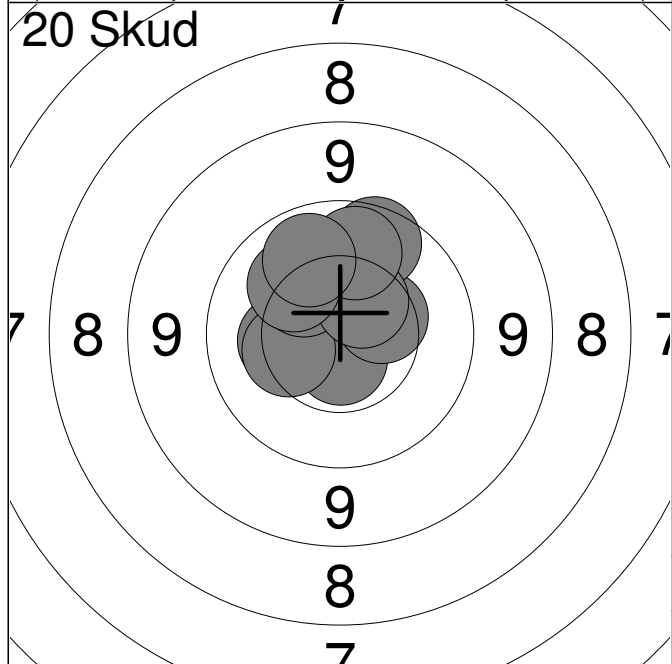
11:	10.6	↑
12:	10.7x	←
13:	10.4	↗
14:	10.4	↗
15:	10.5	←
16:	10.1	↓
17:	10.6	←
18:	10.3	↘
19:	10.6	↑
20:	10.5	↘

Serie	100.0
Total	198.0

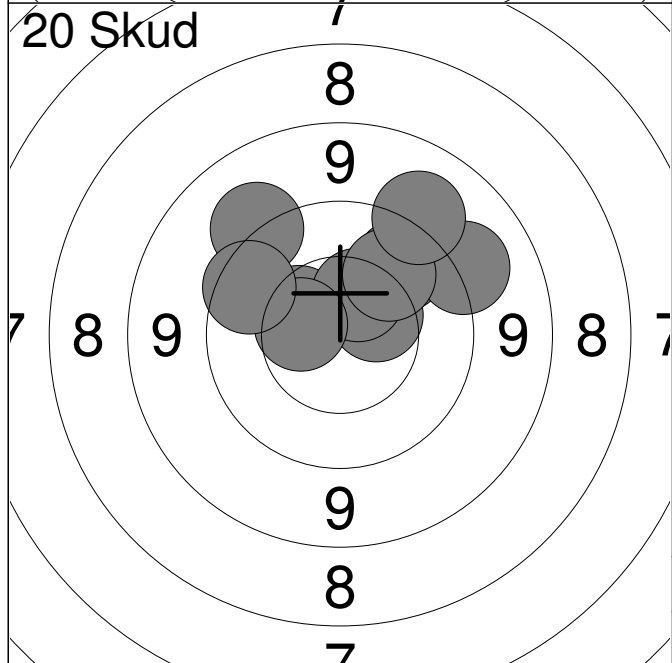




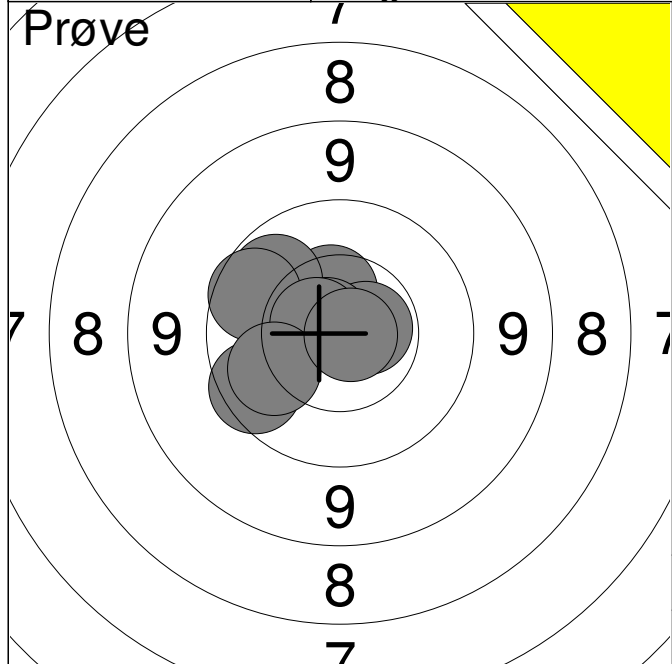
1:	8.1	↗
2:	10.2	↖
3:	10.8x	↗
4:	10.7x	↗
<b>Serie</b>		<b>38.0</b>
<b>Total</b>		<b>0.0</b>



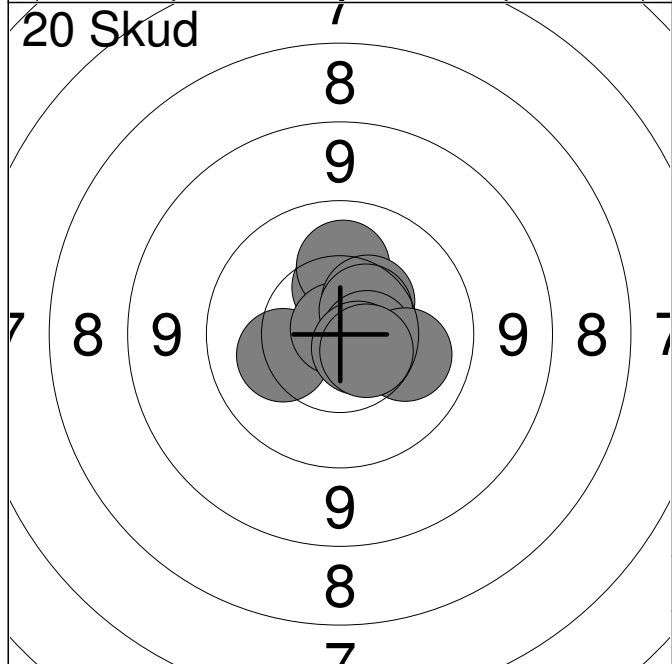
1:	10.7x	↓
2:	10.3	←
3:	10.4	↗
4:	10.3	←
5:	10.3	↗
6:	9.8	↗
7:	10.5	↗
8:	10.2	↗
9:	10.0	↗
10:	10.0	↗
<b>Serie</b>		<b>99.0</b>
<b>Total</b>		<b>99.0</b>



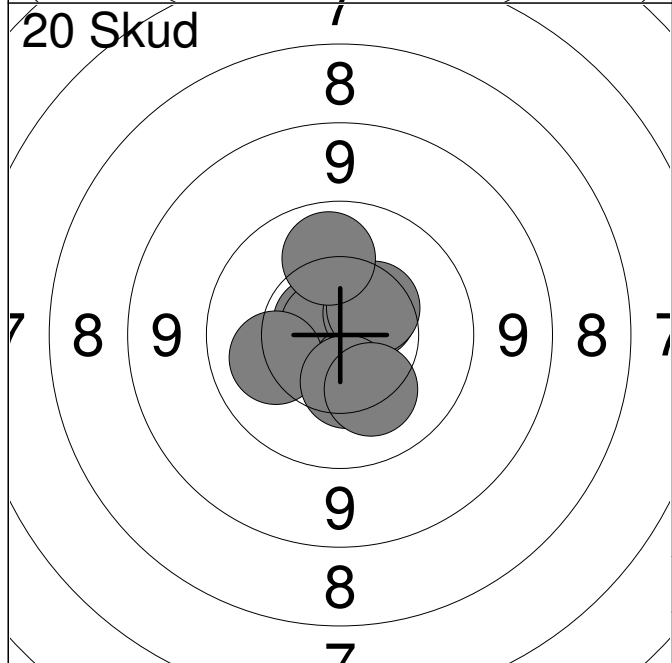
11:	10.4	↖
12:	10.5	↗
13:	9.3	↗
14:	9.9	↗
15:	10.4	↗
16:	9.3	↗
17:	10.0	↗
18:	9.3	↗
19:	10.5	↖
20:	9.7	↖
<b>Serie</b>		<b>95.0</b>
<b>Total</b>		<b>194.0</b>



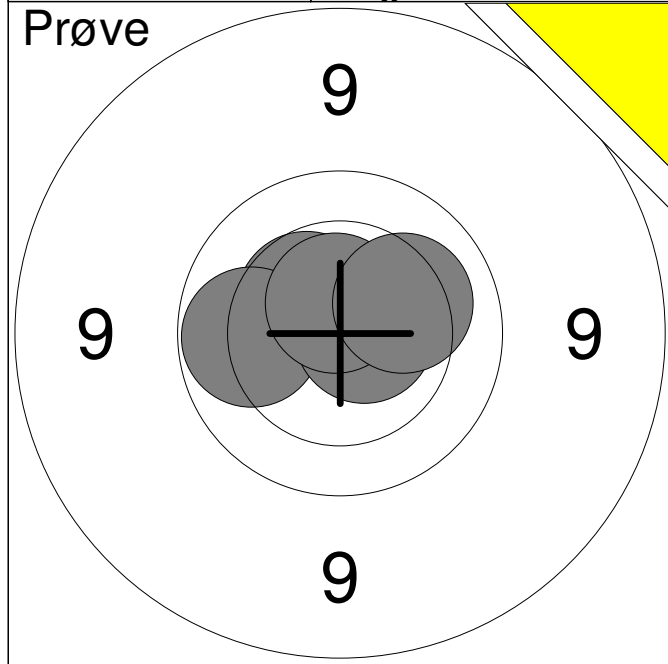
1:	10.5	↑
2:	10.0	↗
3:	10.6x	→
4:	9.8	↖
5:	9.9	↗
6:	10.8x	↗
7:	10.7x	↗
8:	10.1	↖
9:	10.8x	→
<b>Serie</b>		<b>88.0</b>
<b>Total</b>		<b>0.0</b>



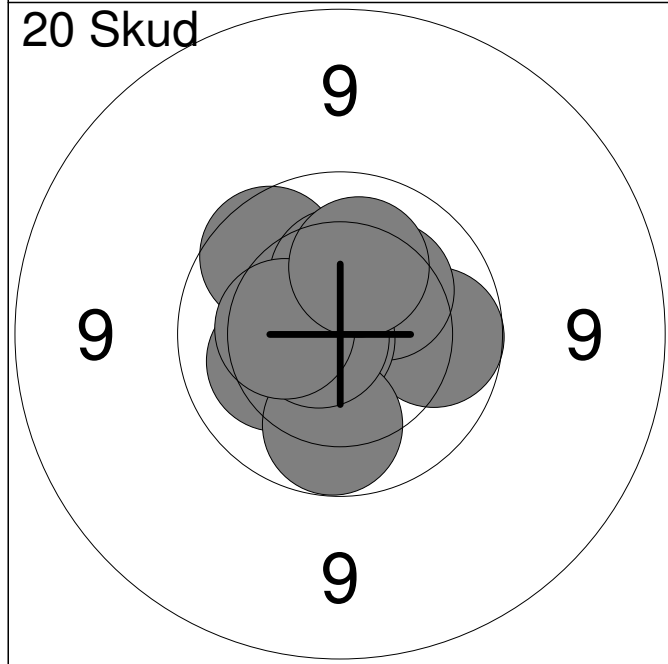
1:	10.4	↑
2:	10.3	↖
3:	10.2	↑
4:	10.9x	↗
5:	10.5	↗
6:	10.5	↗
7:	10.6x	→
8:	10.2	→
9:	10.7x	↘
10:	10.6x	↘
<b>Serie</b>		<b>100.0</b>
<b>Total</b>		<b>100.0</b>



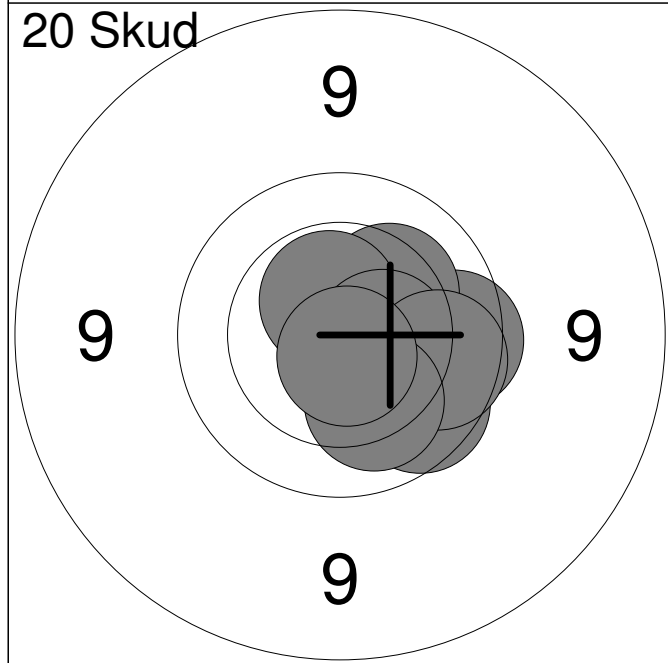
11:	10.7x	↖
12:	10.7x	↗
13:	10.8x	↗
14:	10.5	↘
15:	10.2	↖
16:	10.5	↗
17:	10.5	↗
18:	10.4	↘
19:	10.2	↘
20:	10.1	↑
<b>Serie</b>		<b>100.0</b>
<b>Total</b>		<b>200.0</b>



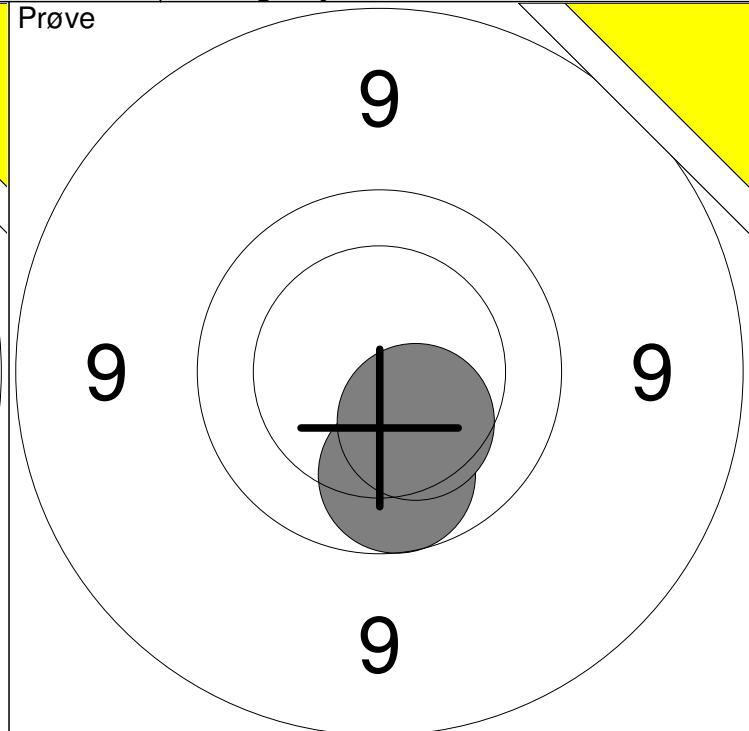
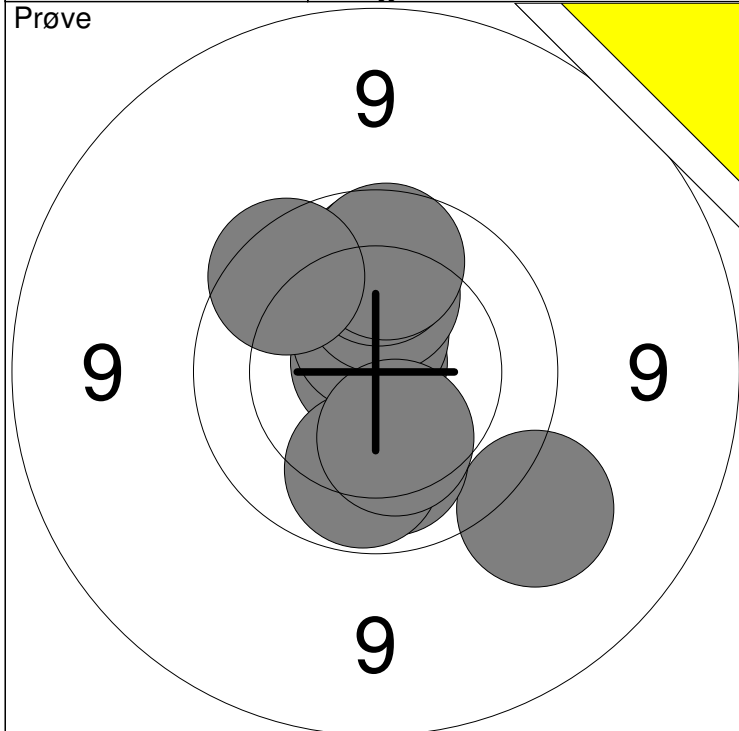
1:	10.5	↗
2:	10.0	←
3:	10.7x	→
4:	10.6x	↑
5:	10.2	↘
<b>Serie</b>		<b>50.0</b>
<b>Total</b>		<b>0.0</b>



1:	9.9	→
2:	10.3	↗
3:	9.9	↖
4:	10.2	←
5:	10.8x	←
6:	10.3	↑
7:	10.0	↓
8:	10.7x	←
9:	10.4	←
10:	10.2	↑
<b>Serie</b>		<b>98.0</b>
<b>Total</b>		<b>98.0</b>

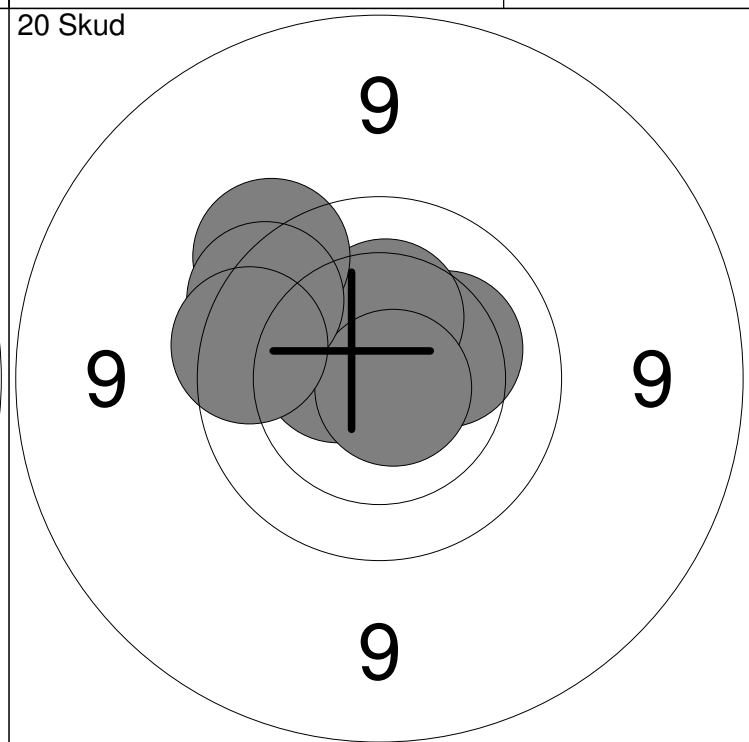
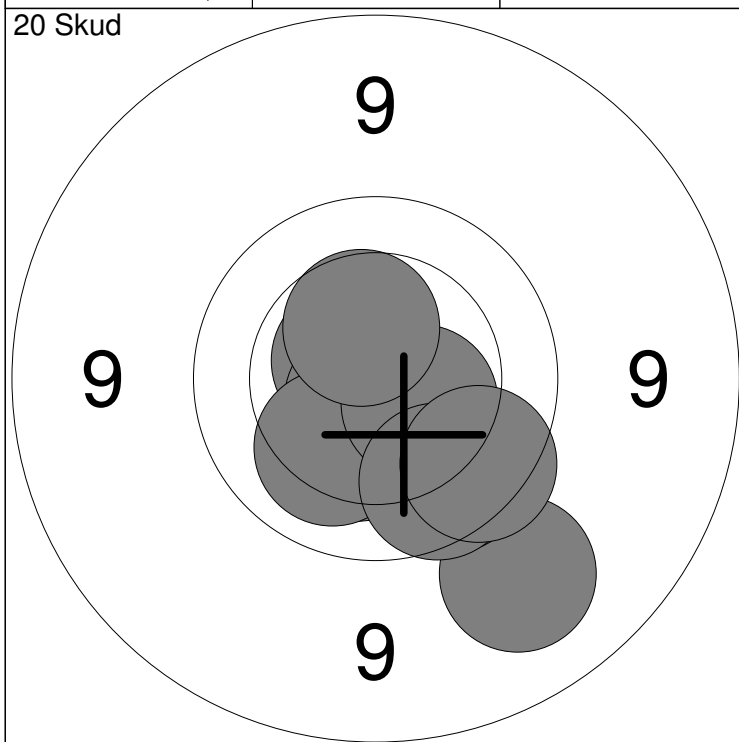


11:	9.8	→
12:	10.2	→
13:	10.1	↘
14:	10.3	↗
15:	9.9	↘
16:	10.6x	↑
17:	10.5	→
18:	9.9	→
19:	10.1	↓
20:	10.7x	↓
<b>Serie</b>		<b>97.0</b>
<b>Total</b>		<b>195.0</b>



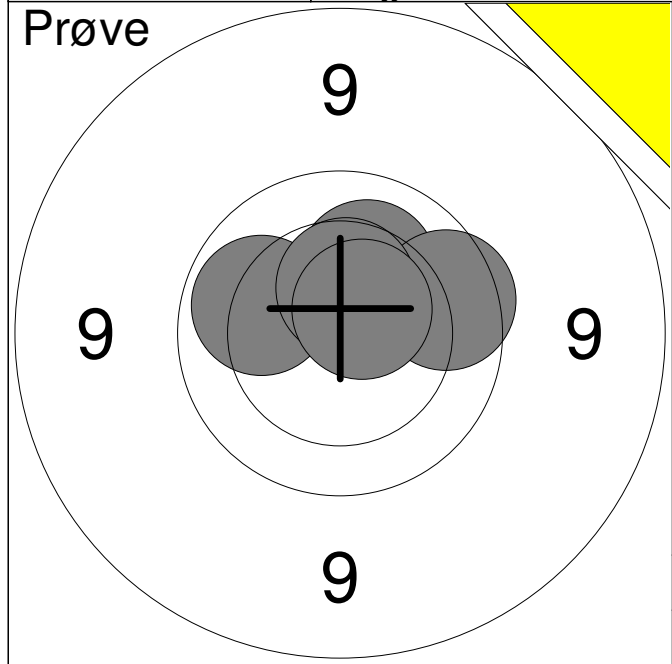
1: 9.4 ↘	6: 9.9 ↑	Serie	96
2: 10.8x ↗	7: 10.1 ↓		
3: 10.6x ↑	8: 10.0 ↓	Total	0
4: 10.2 ↑	9: 9.8 ↗		
5: 9.9 ↑	10: 10.3 ↓		

11: 9.9 ↓	Serie	19
12: 10.4 ↘		
	Total	0

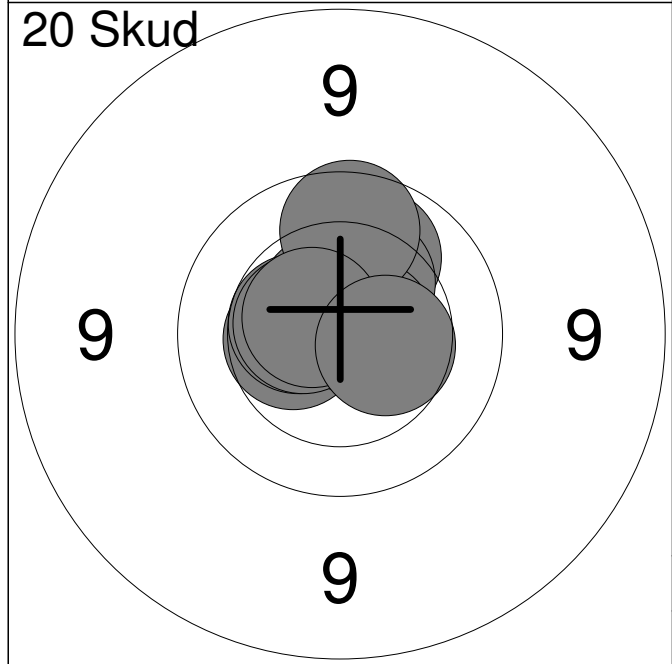


1: 10.6x ↗	6: 10.2 ↓	Serie	96
2: 9.2 ↓	7: 10.5 ↓		
3: 10.3 ↓	8: 9.9 ↓	Total	96
4: 10.7x ↓	9: 9.8 ↓		
5: 9.9 ↓	10: 10.4 ↑		

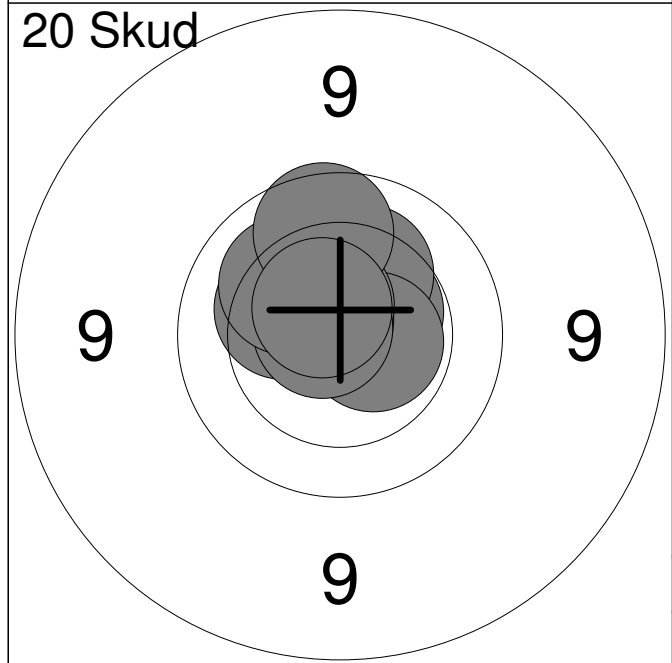
11: 10.7x ↗	16: 10.4 ↑	Serie	96
12: 10.5x ↖	17: 9.6 ↗		
13: 10.6x ↗	18: 10.8x ↓	Total	192
14: 9.8 ↖	19: 9.8 ↗		
15: 10.3 ↗	20: 9.8 ↖		



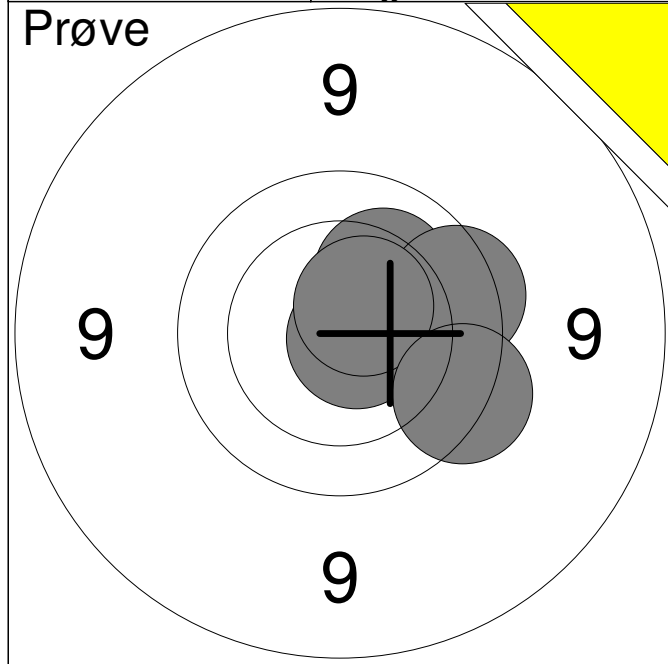
1:	10.2	↗
2:	10.0	↖
3:	9.8	→
4:	10.5	↑
5:	10.6x	↗
<b>Serie</b>		<b>49.0</b>
<b>Total</b>		<b>0.0</b>



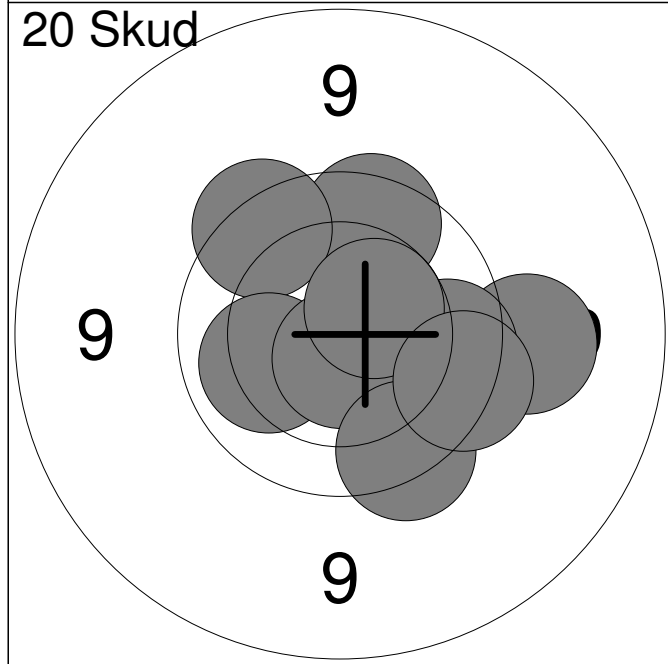
1:	10.6x	↖
2:	10.1	↑
3:	10.3	↗
4:	10.4	↖
5:	10.5	↖
6:	10.7x	→
7:	9.9	↑
8:	10.5x	↖
9:	10.6x	↗
10:	10.4	→
<b>Serie</b>		<b>99.0</b>
<b>Total</b>		<b>99.0</b>



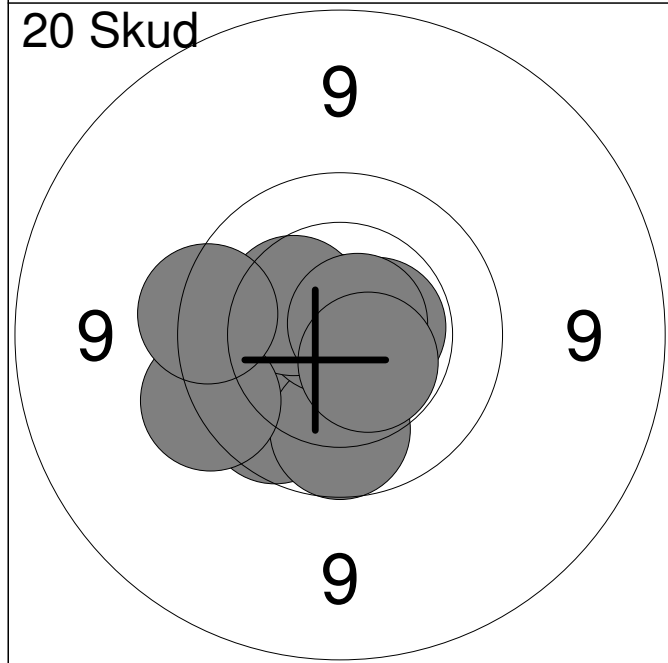
11:	10.5x	↗
12:	10.2	↑
13:	10.6x	→
14:	10.7x	↗
15:	10.6x	↗
16:	10.3	↗
17:	10.7x	↗
18:	10.2	↗
19:	9.9	↑
20:	10.6x	↗
<b>Serie</b>		<b>99.0</b>
<b>Total</b>		<b>198.0</b>



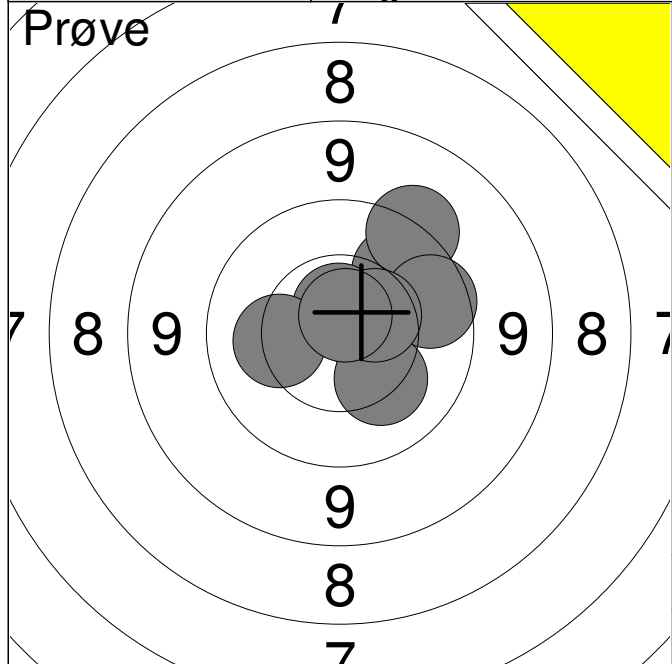
1:	10.2	↗
2:	9.8	→
3:	10.8x	→
4:	10.6x	↗
5:	9.7	↘
<b>Serie</b>		<b>48.0</b>
<b>Total</b>		<b>0.0</b>



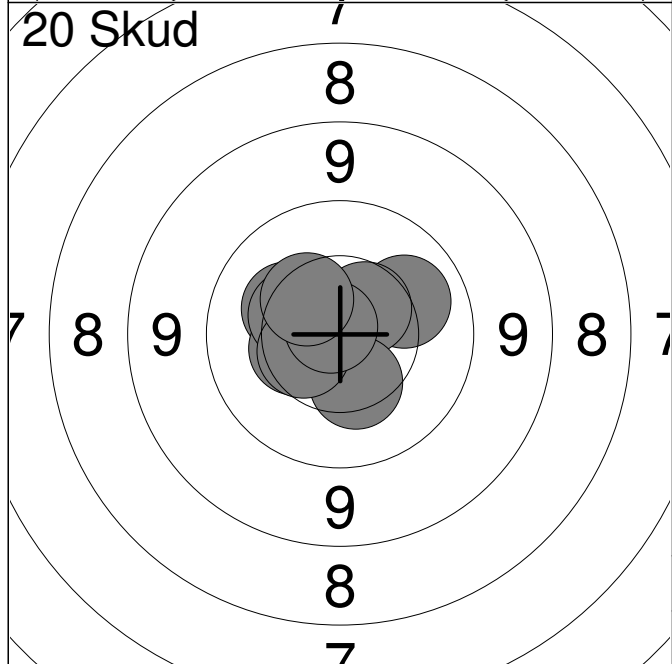
1:	10.2	↘
2:	9.4	→
3:	9.8	↗
4:	9.7	↗
5:	10.1	←
6:	9.9	→
7:	10.7x	↓
8:	10.5	↗
9:	9.7	↘
10:	9.7	→
<b>Serie</b>		<b>94.0</b>
<b>Total</b>		<b>94.0</b>



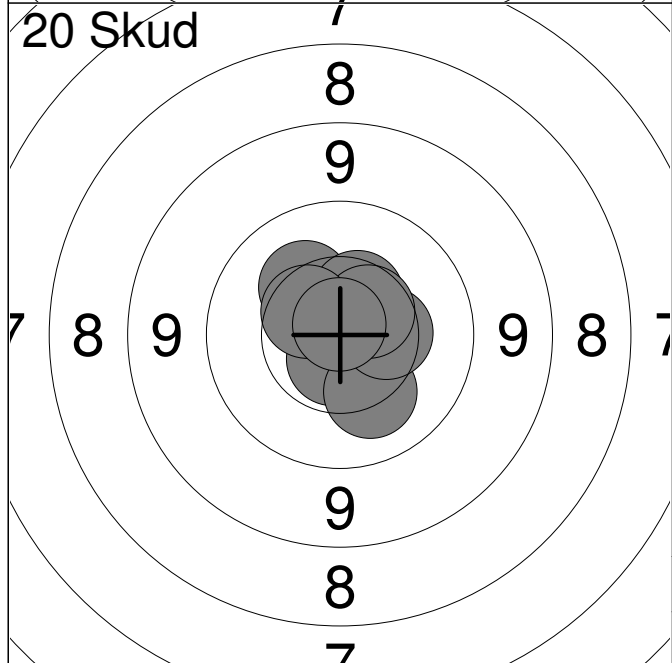
11:	10.1	↓
12:	9.9	↙
13:	9.9	↓
14:	10.8x	↗
15:	10.4	↗
16:	10.6x	→
17:	9.6	↙
18:	9.7	↙
19:	10.7x	↗
20:	10.5x	↘
<b>Serie</b>		<b>96.0</b>
<b>Total</b>		<b>190.0</b>



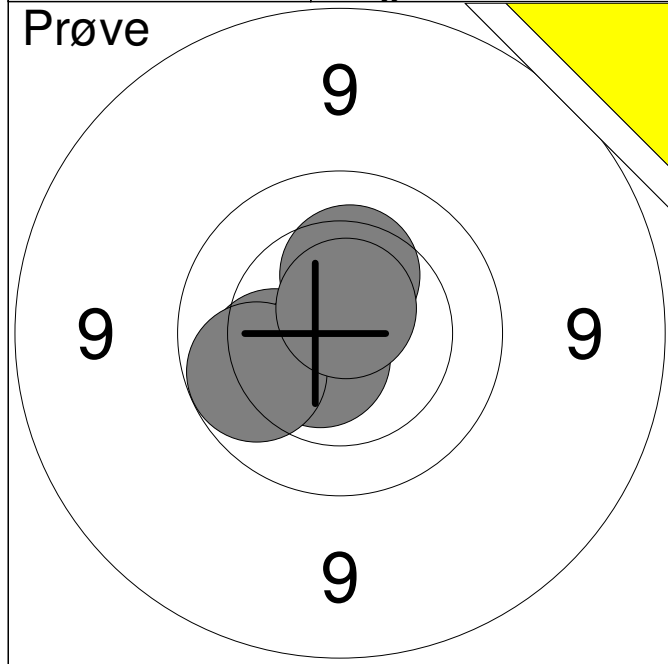
1:	10.0	↗
2:	9.5	↗
3:	9.8	→
4:	10.7x	↑
5:	10.6x	→
6:	10.2	↘
7:	10.2	←
8:	10.5	↗
9:	10.7x	↑
<b>Serie</b>		<b>88.0</b>
<b>Total</b>		<b>0.0</b>



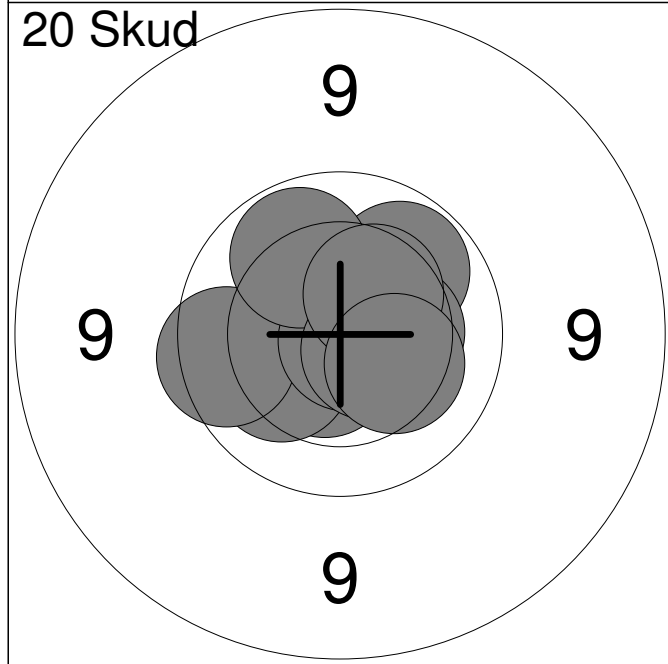
1:	10.1	↗
2:	10.5	↗
3:	10.3	↖
4:	10.4	←
5:	10.8x	↗
6:	10.4	↘
7:	10.4	↗
8:	10.5	↖
9:	10.8x	↗
10:	10.4	↗
<b>Serie</b>		<b>100.0</b>
<b>Total</b>		<b>100.0</b>



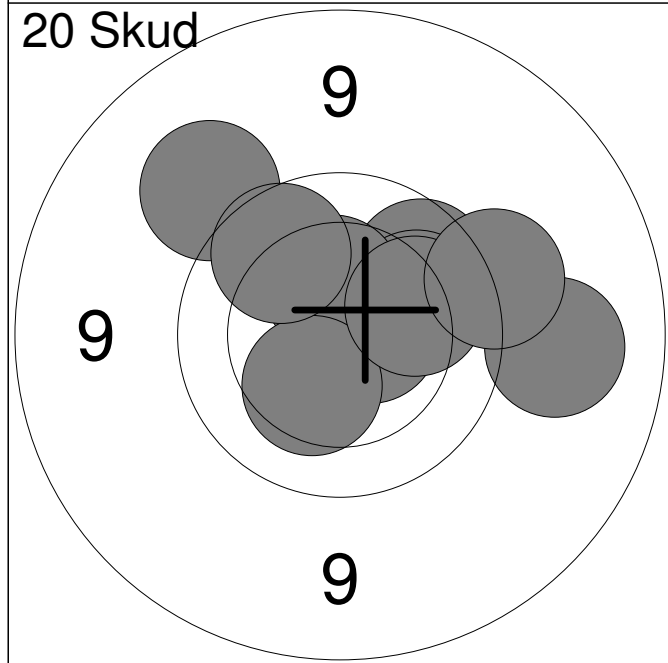
11:	10.7x	→
12:	10.3	↗
13:	10.5	↗
14:	10.7x	↘
15:	10.2	↘
16:	10.6	↗
17:	10.4	→
18:	10.5	↗
19:	10.5	↖
20:	10.8x	↑
<b>Serie</b>		<b>100.0</b>
<b>Total</b>		<b>200.0</b>



1:	10.2	←
2:	10.6x	↙
3:	10.0	←
4:	10.3	↑
5:	10.7x	↑
<b>Serie</b>		<b>50.0</b>
<b>Total</b>		<b>0.0</b>

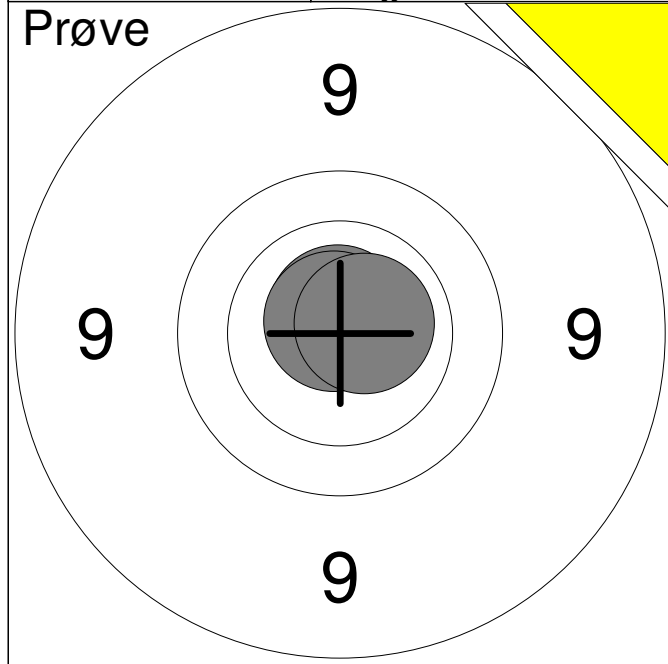


1:	10.6x	↙
2:	10.2	←
3:	10.0	↗
4:	10.4	→
5:	9.8	←
6:	10.8x	↘
7:	10.0	↑
8:	10.6x	↘
9:	10.4	↗
10:	10.3	↘
<b>Serie</b>		<b>99.0</b>
<b>Total</b>		<b>99.0</b>

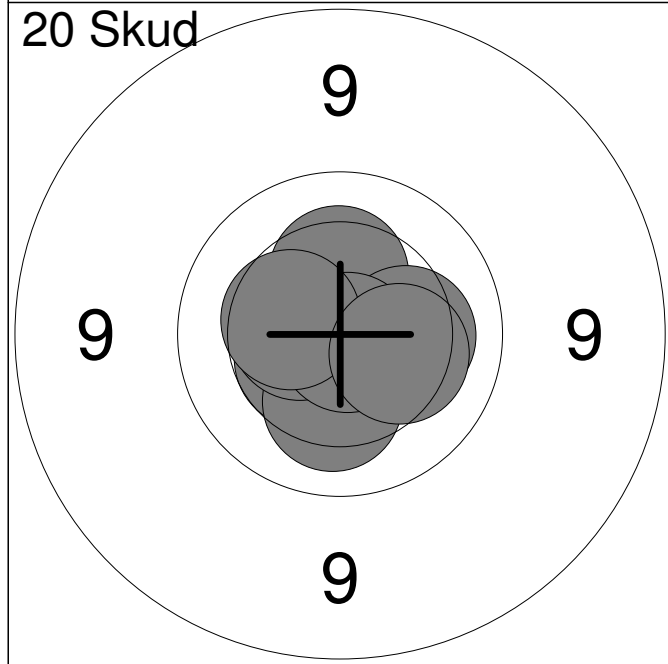


11:	9.9	↗
12:	10.0	→
13:	10.6x	→
14:	9.3	↗
15:	10.4	↑
16:	10.3	↙
17:	10.1	→
18:	9.9	↗
19:	9.2	→
20:	9.5	→
<b>Serie</b>		<b>95.0</b>
<b>Total</b>		<b>194.0</b>

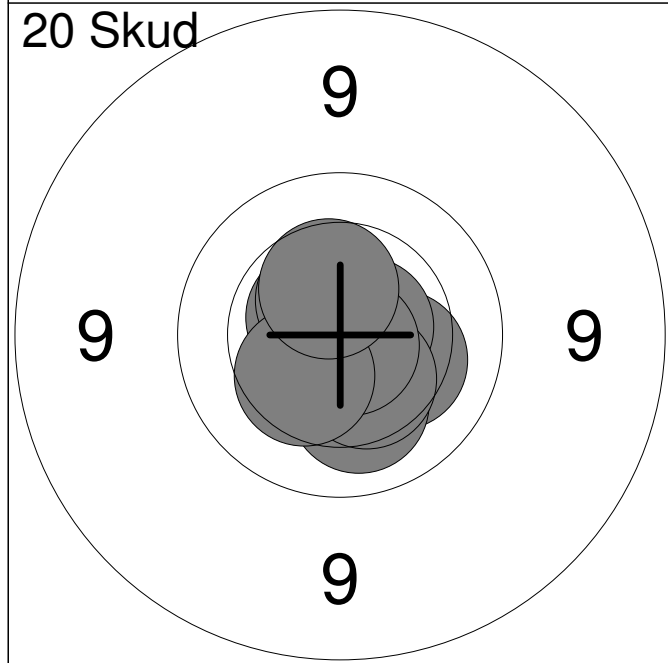




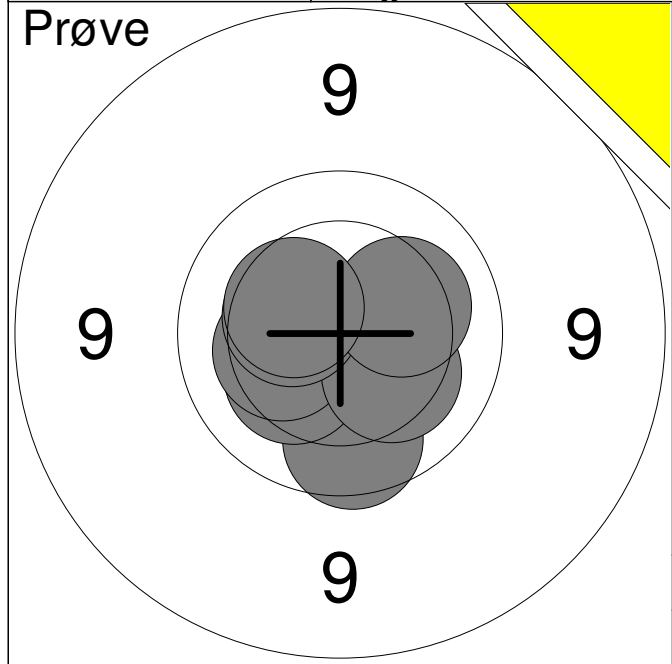
1:	10.8x	↑
2:	10.8x	↑
3:	10.7x	→
<b>Serie</b>		<b>30.0</b>
<b>Total</b>		<b>0.0</b>



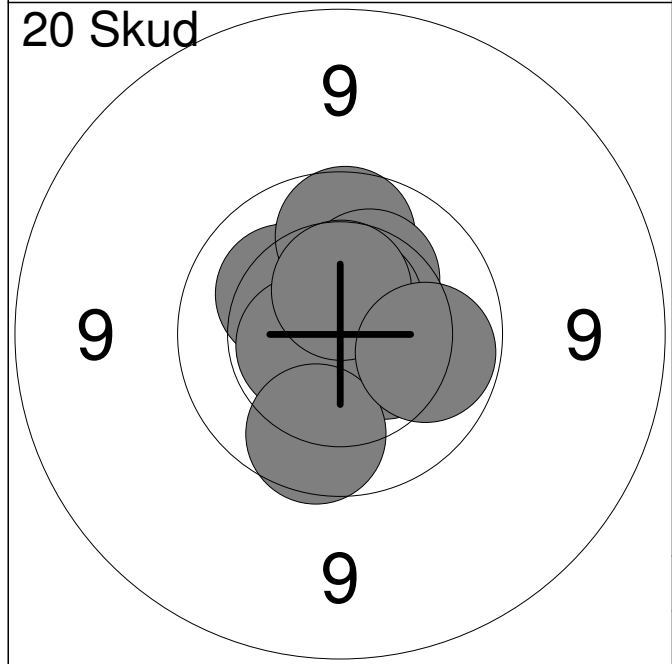
1:	10.8x	↑
2:	10.9x	→
3:	10.5	↙
4:	10.2	↓
5:	10.3	↑
6:	10.5x	←
7:	10.2	→
8:	10.8x	↘
9:	10.4	↑
10:	10.3	↘
<b>Serie</b>		<b>100.0</b>
<b>Total</b>		<b>100.0</b>



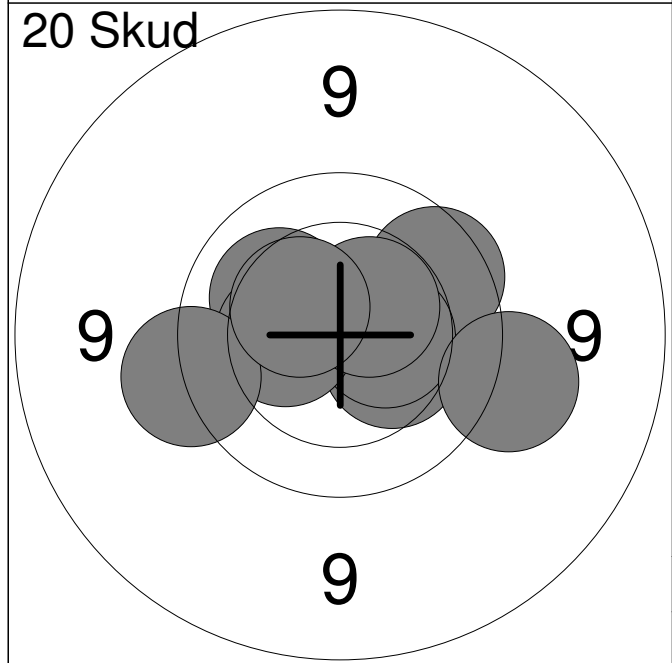
11:	10.3	↘
12:	10.6x	↗
13:	10.8x	↘
14:	10.7x	→
15:	10.2	↓
16:	10.4	↘
17:	10.5x	↗
18:	10.8x	↘
19:	10.4	↙
20:	10.4	↑
<b>Serie</b>		<b>100.0</b>
<b>Total</b>		<b>200.0</b>



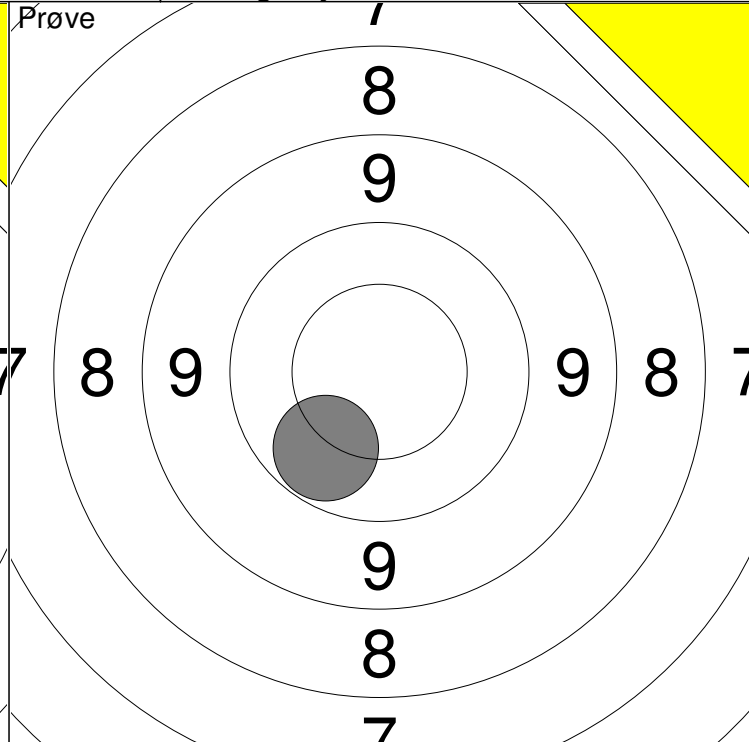
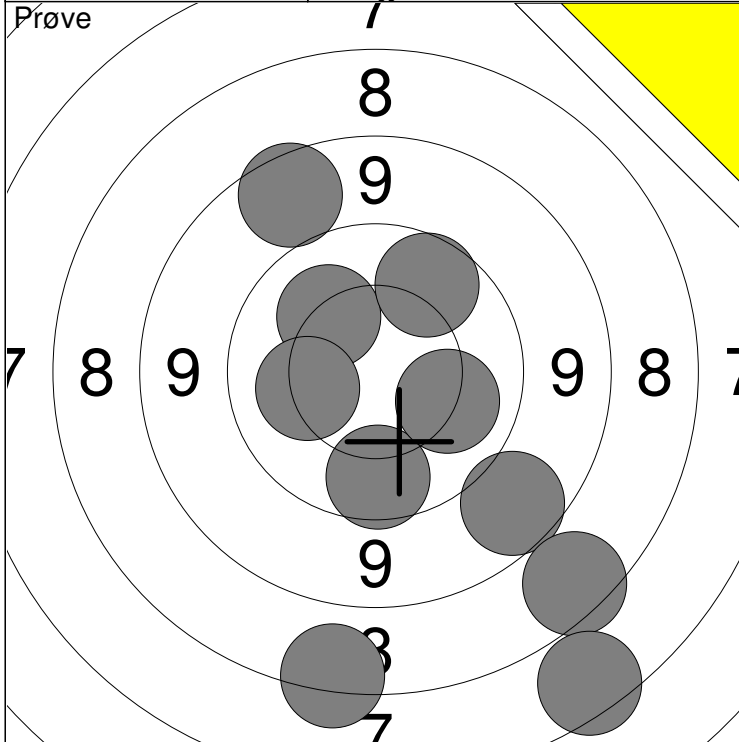
1:	9.9	↓
2:	10.3	↙
3:	10.3	←
4:	10.3	↘
5:	10.4	↖
6:	10.2	→
7:	10.4	↗
<b>Serie</b>		<b>69.0</b>
<b>Total</b>		<b>0.0</b>



1:	10.4	→
2:	10.2	↑
3:	10.2	↖
4:	9.9	↑
5:	10.3	↗
6:	10.6x	↗
7:	10.6x	←
8:	10.5	↑
9:	9.9	↓
10:	10.0	→
<b>Serie</b>		<b>98.0</b>
<b>Total</b>		<b>98.0</b>

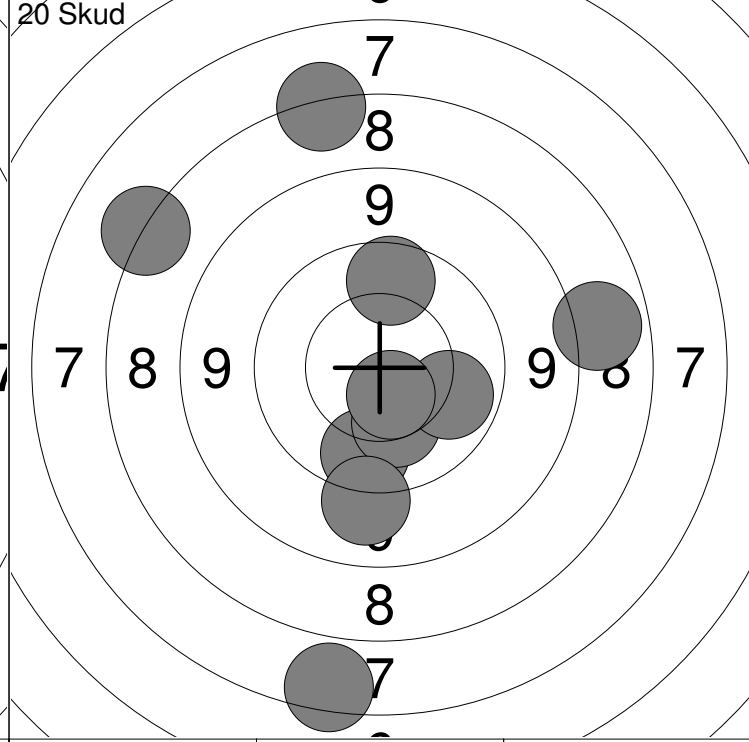
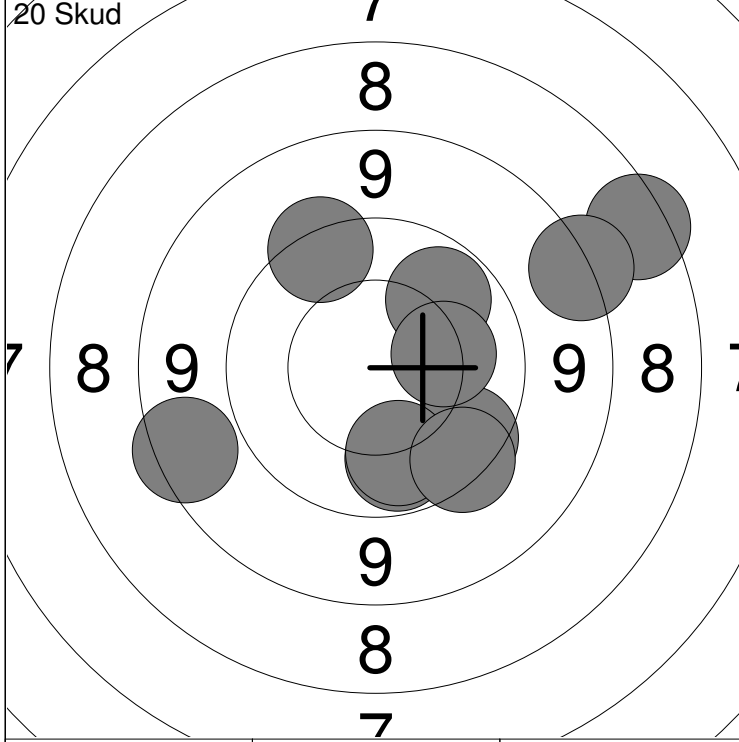


11:	10.6x	→
12:	10.3	→
13:	9.8	↗
14:	10.2	↗
15:	10.5	→
16:	10.4	←
17:	10.5x	↗
18:	9.6	←
19:	10.4	↗
20:	9.4	→
<b>Serie</b>		<b>97.0</b>
<b>Total</b>		<b>195.0</b>



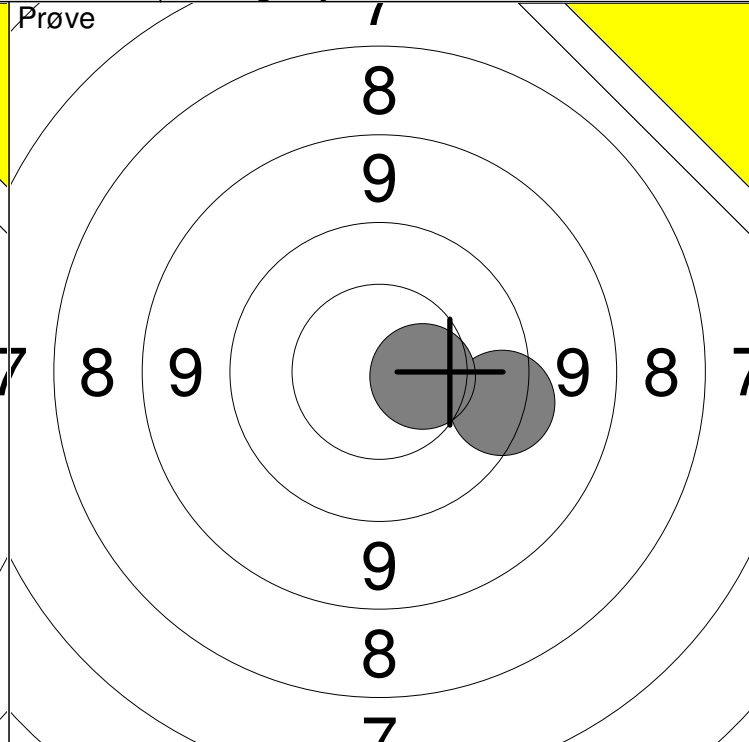
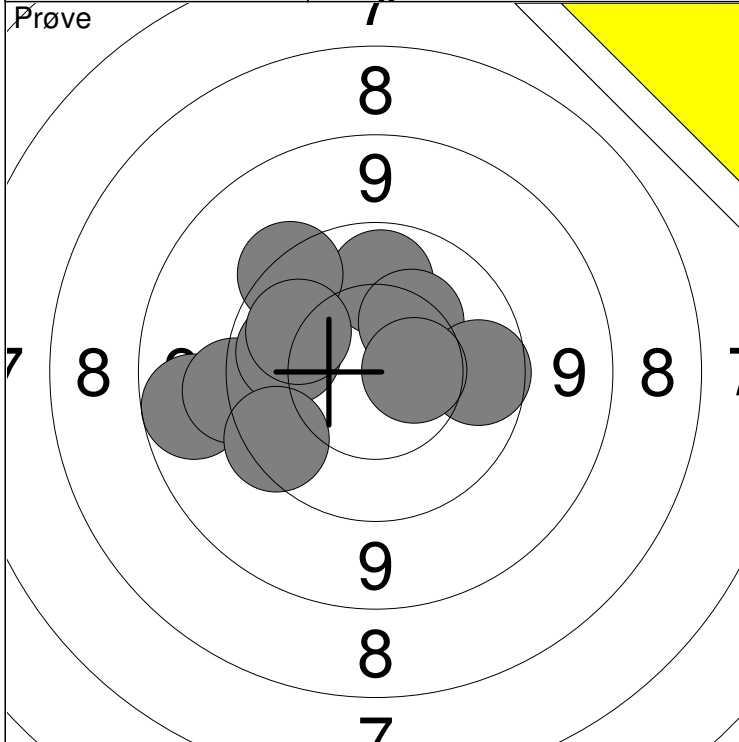
1: 10.2 ↗	6: 10.2 ←	Serie	84
2: 9.9 ↗	7: 7.5 ↓		
3: 8.8 ↗	8: 9.8 ↓	Total	0
4: 8.9 ↓	9: 6.7 ↓		
5: 7.7 ↓	10: 10.1 ↘		

11: 10.0 ↘		Serie	10
		Total	0



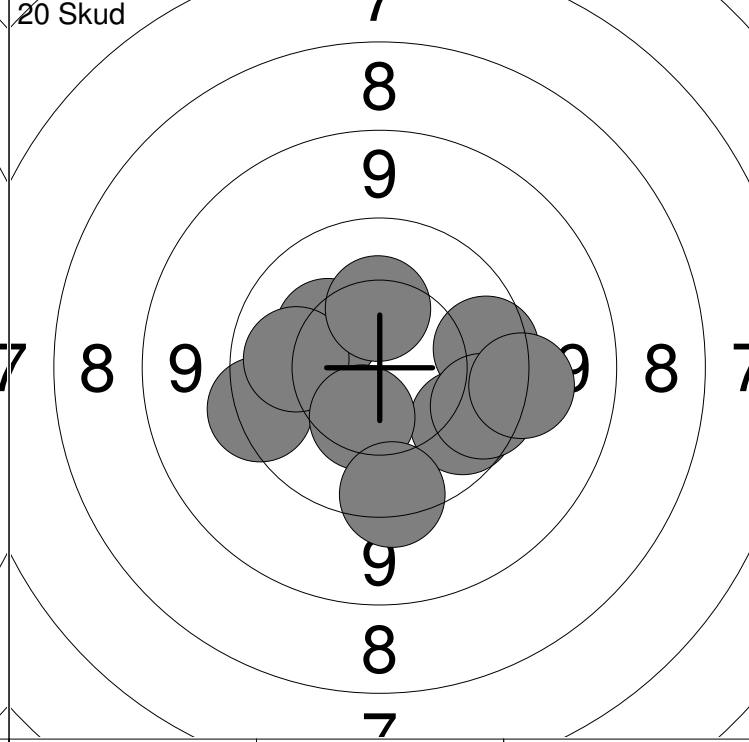
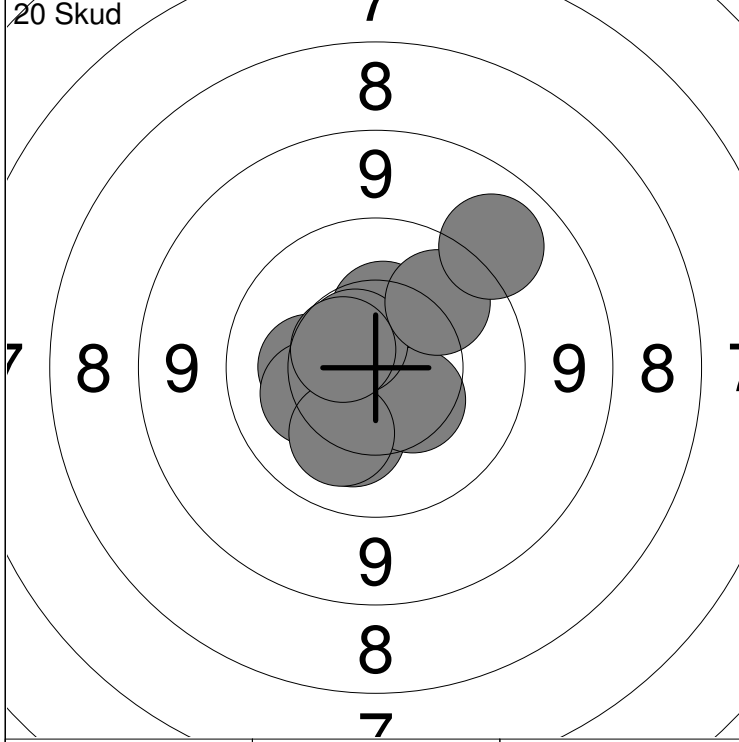
1: 7.7 ↗	6: 10.2 →	Serie	90
2: 10.0 ↗	7: 10.0 ↓		
3: 9.6 ↗	8: 8.7 ←	Total	90
4: 10.0 ↓	9: 8.5 ↗		
5: 9.8 ↓	10: 9.6 ↓		

11: 8.1 →	16: 7.4 ↑	Serie	85
12: 9.9 ↓	17: 6.7 ↓		
13: 10.2 ↓	18: 10.0 →	Total	175
14: 9.2 ↓	19: 10.6x ↓		
15: 9.9 ↑	20: 7.4 ↖		



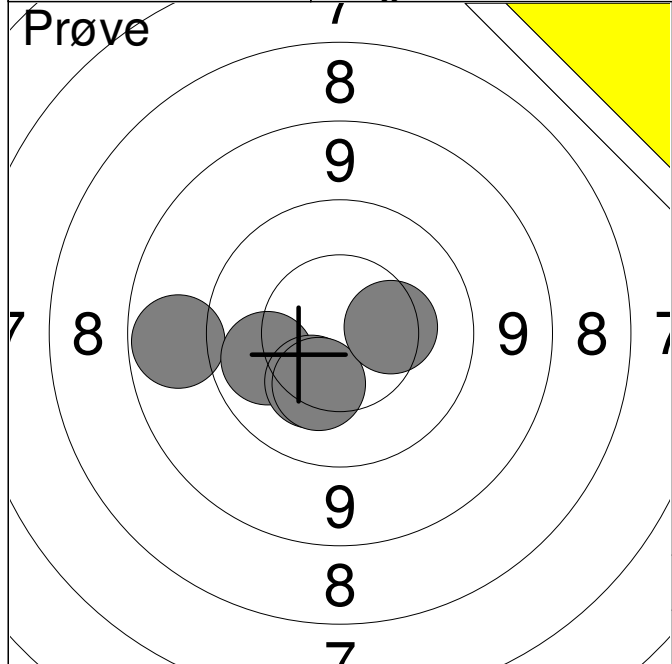
1: 10.0 ↑	6: 10.0 ←	Serie	95
2: 9.6 ↗	7: 9.9 →		
3: 10.3 ↗	8: 10.1 ↖	Total	0
4: 9.0 ←	9: 9.7 ↙		
5: 9.4 ←	10: 10.6 →		

11: 9.6 →	Serie	19
12: 10.5 →		
Total		0

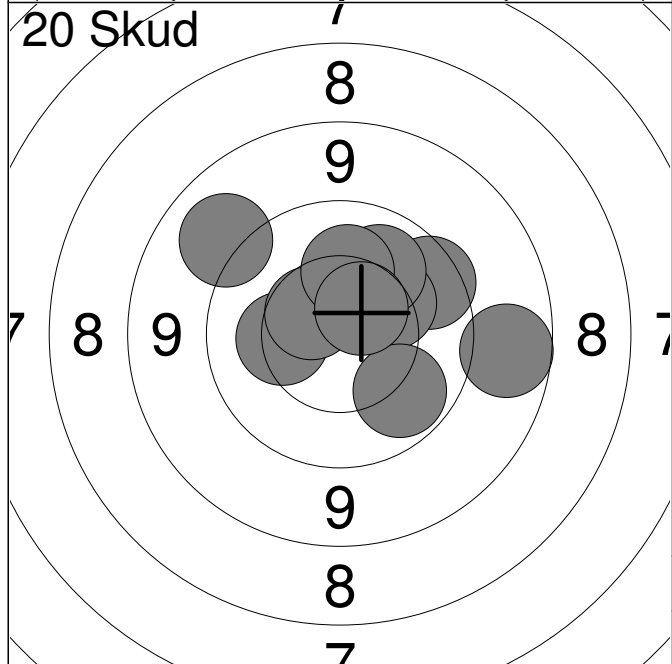


1: 10.3 ←	6: 10.6x ↗	Serie	99
2: 10.4 ↑	7: 10.0 ↗		
3: 10.2 ←	8: 10.2 ↘	Total	99
4: 10.2 ↓	9: 9.1 ↗		
5: 10.4 ↘	10: 10.6 ↖		

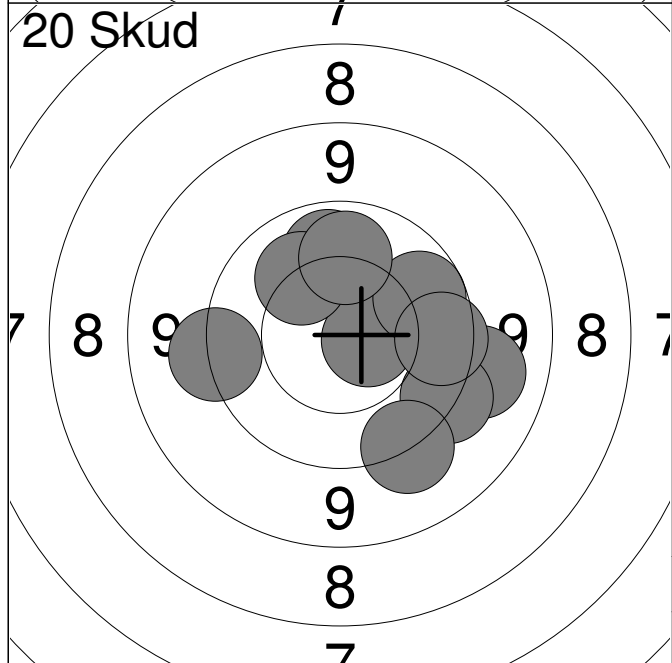
11: 9.8 →	16: 10.1 ←	Serie	94
12: 10.3 ↗	17: 10.4 ↓		
13: 9.9 ↘	18: 10.3 ↑	Total	193
14: 9.8 →	19: 9.4 →		
15: 9.6 ←	20: 9.6 ↓		



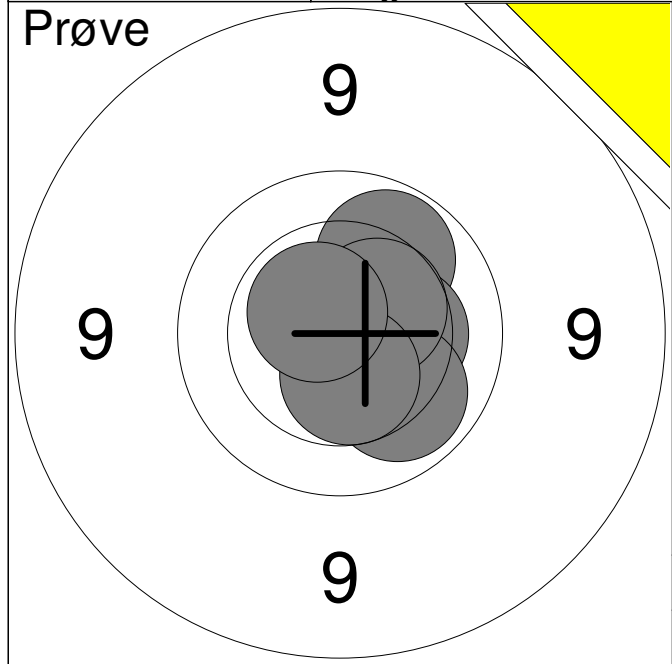
1:	9.0	←
2:	10.1	←
3:	10.3	↙
4:	10.3	↘
5:	10.4	→
<b>Serie</b>		<b>49.0</b>
<b>Total</b>		<b>0.0</b>



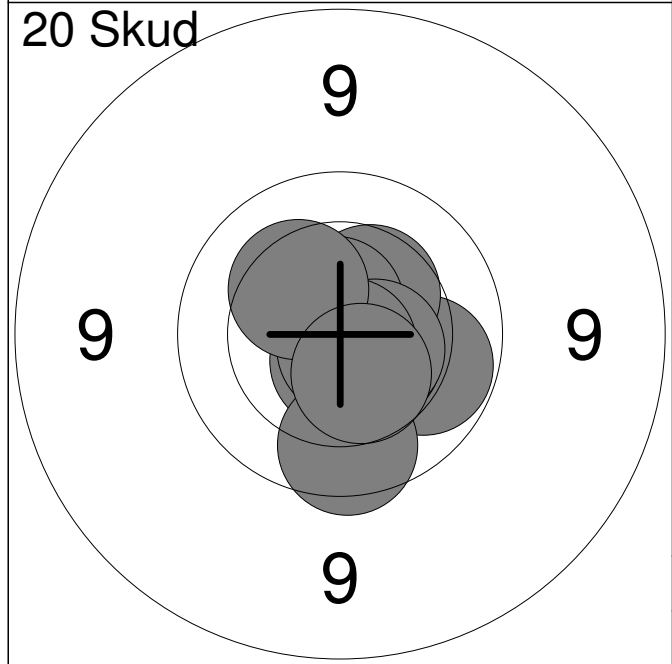
1:	8.9	→
2:	9.7	↗
3:	9.2	↖
4:	10.3	↗
5:	10.3	←
6:	10.5	↖
7:	10.1	↗
8:	10.2	↑
9:	10.0	↘
10:	10.6	↗
<b>Serie</b>		<b>96.0</b>
<b>Total</b>		<b>96.0</b>



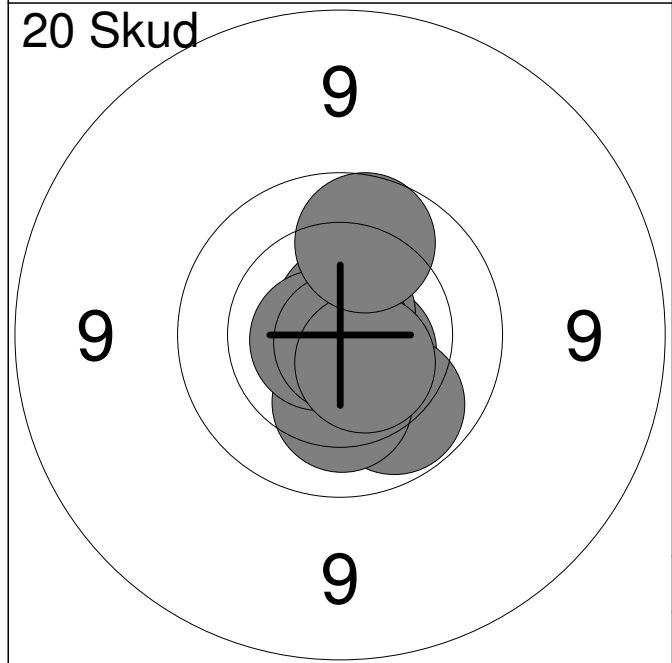
11:	9.2	→
12:	9.5	↘
13:	10.6x	→
14:	10.0	↑
15:	9.9	↗
16:	10.2	↖
17:	10.1	↑
18:	9.4	↘
19:	9.8	→
20:	9.4	←
<b>Serie</b>		<b>94.0</b>
<b>Total</b>		<b>190.0</b>



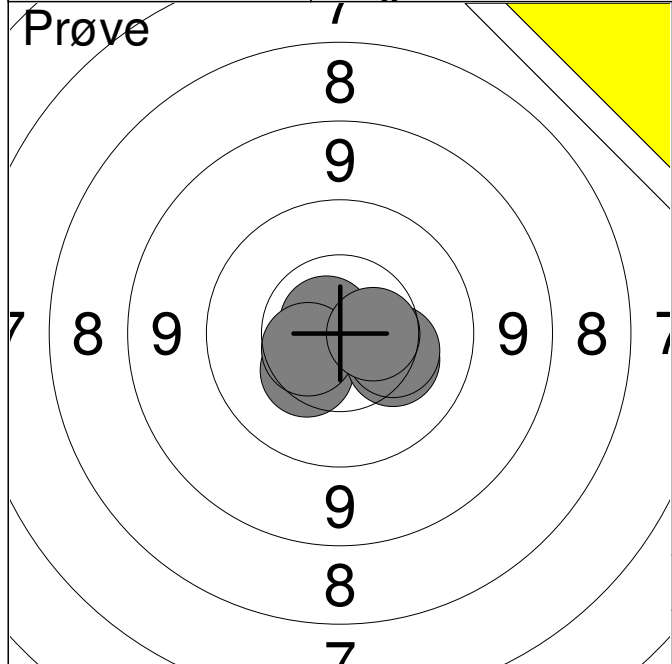
1:	10.0	↗
2:	10.3	→
3:	10.1	↘
4:	10.5	↗
5:	10.5x	↘
6:	10.6x	↗
Serie		60.0
Total		0.0



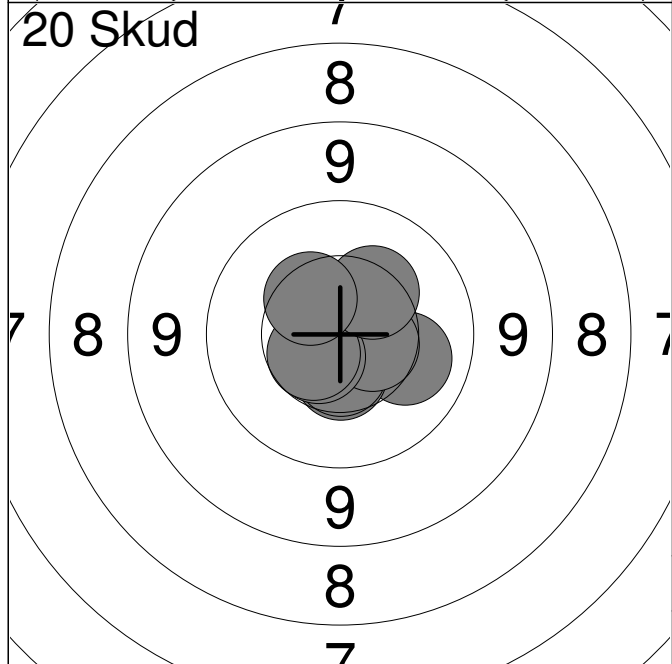
1:	10.0	→
2:	10.5x	↘
3:	10.7x	↘
4:	10.4	↗
5:	10.6x	↗
6:	9.8	↘
7:	10.5x	↘
8:	10.8x	↘
9:	10.3	↗
10:	10.5	↘
Serie		99.0
Total		99.0



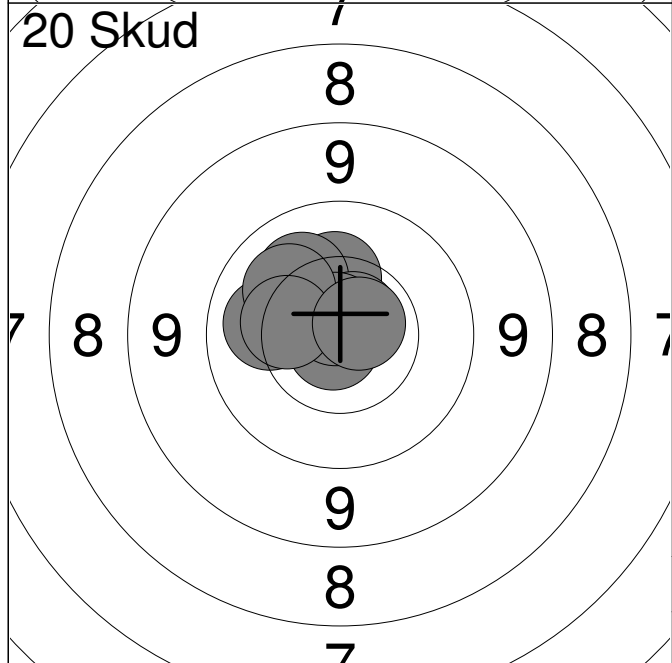
11:	10.6x	↘
12:	10.0	↘
13:	10.7x	↘
14:	10.7x	↗
15:	10.2	↘
16:	10.9x	↗
17:	10.7x	←
18:	10.9x	↘
19:	10.5x	↘
20:	9.9	↗
Serie		99.0
Total		198.0



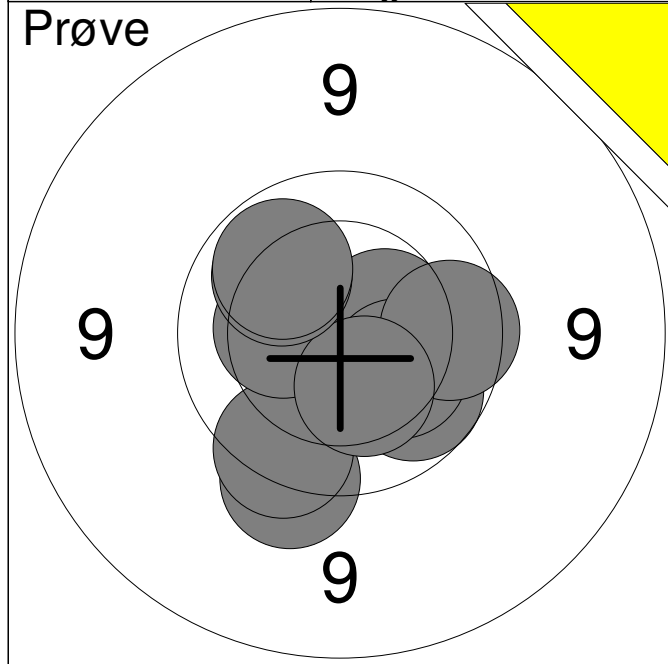
1:	10.4	↙
2:	10.7x	↗
3:	10.3	↘
4:	10.3	↘
5:	10.5	↙
6:	10.6	→
<b>Serie</b>		<b>60.0</b>
<b>Total</b>		<b>0.0</b>



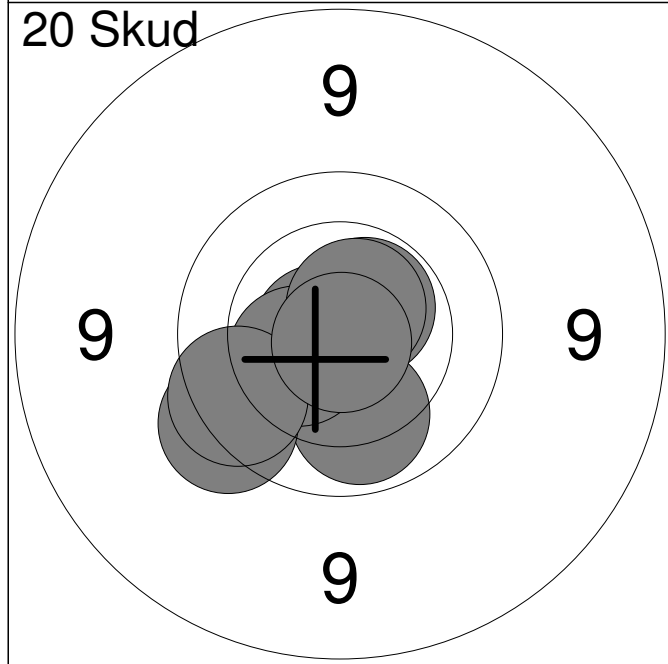
1:	10.7x	↑
2:	10.1	→
3:	10.5	↓
4:	10.7x	↙
5:	10.5	↓
6:	10.6	→
7:	10.6	↙
8:	10.6	↙
9:	10.3	↗
10:	10.4	↗
<b>Serie</b>		<b>100.0</b>
<b>Total</b>		<b>100.0</b>



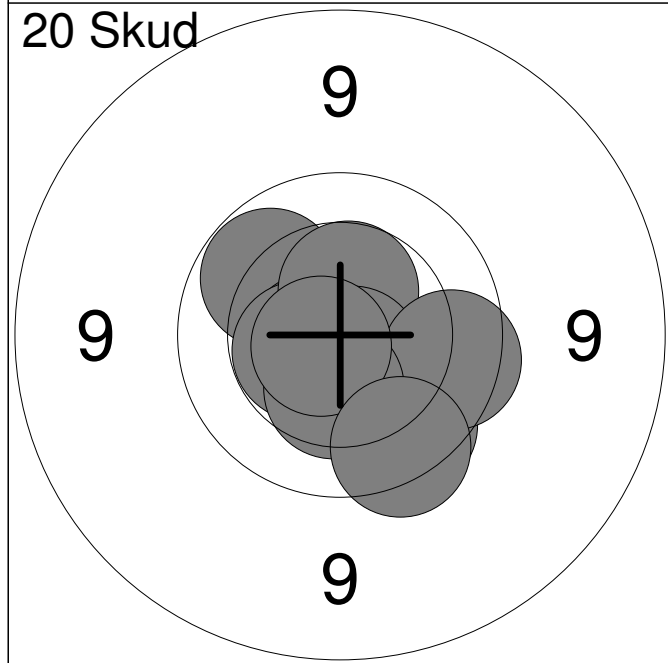
11:	10.7x	↗
12:	10.3	↑
13:	10.8x	↙
14:	10.2	↗
15:	10.7x	↗
16:	10.1	↙
17:	10.8x	↗
18:	10.2	↗
19:	10.3	↙
20:	10.7x	↗
<b>Serie</b>		<b>100.0</b>
<b>Total</b>		<b>200.0</b>



1:	9.6	↘
2:	9.7	↘
3:	10.3	←
4:	9.9	↘
5:	10.4	→
6:	10.2	↘
7:	9.8	→
8:	10.3	↘
9:	10.1	↗
10:	10.0	↗
Serie		96.0
Total		0.0

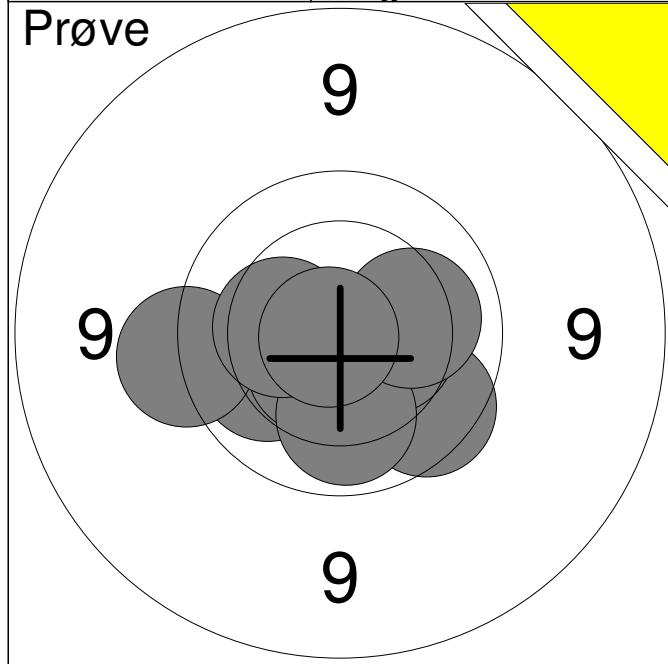


1:	10.5x	↘
2:	10.4	↙
3:	10.1	↘
4:	9.6	↙
5:	10.6x	↗
6:	10.8x	←
7:	10.4	↙
8:	10.6x	↗
9:	9.8	↙
10:	10.9x	↘
Serie		98.0
Total		98.0



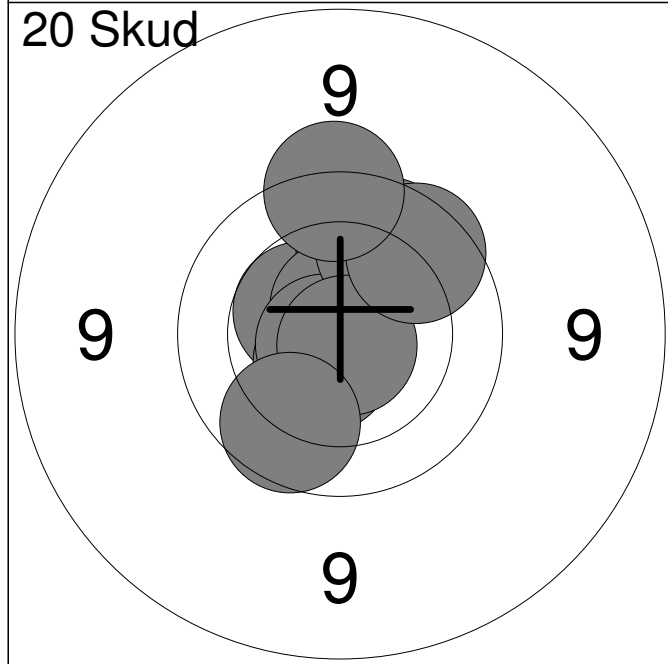
11:	10.0	↗
12:	10.7x	↙
13:	9.8	↘
14:	10.5x	↙
15:	10.5	↗
16:	10.7x	↘
17:	9.8	→
18:	10.4	↘
19:	10.7x	↙
20:	9.7	↘
Serie		97.0
Total		195.0





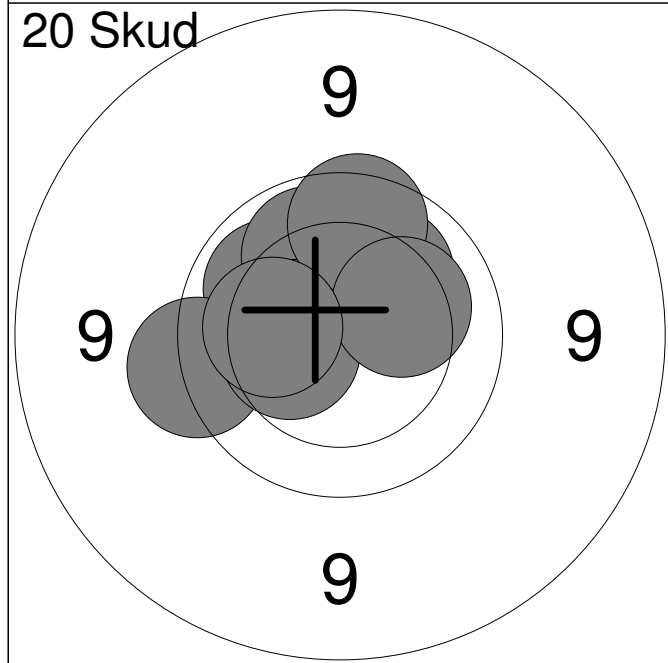
1:	9.8	↘
2:	10.1	↙
3:	10.4	→
4:	10.5x	↙
5:	10.1	↓
6:	10.2	→
7:	9.6	←
8:	10.3	←
9:	10.8x	↙

Serie	88.0
Total	0.0



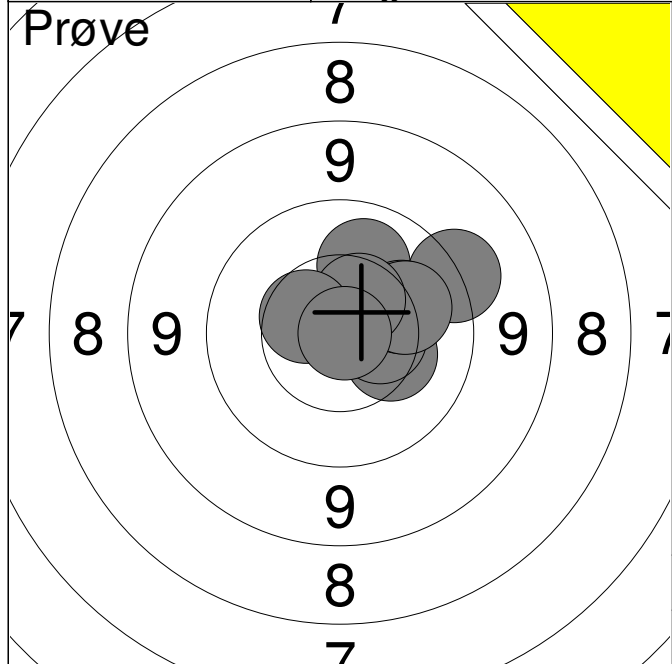
1:	10.5	↖
2:	10.0	↑
3:	10.7x	↑
4:	10.6x	↙
5:	10.8x	↙
6:	9.9	↑
7:	10.8x	↓
8:	9.9	↙
9:	9.8	↗
10:	9.6	↑

Serie	96.0
Total	96.0

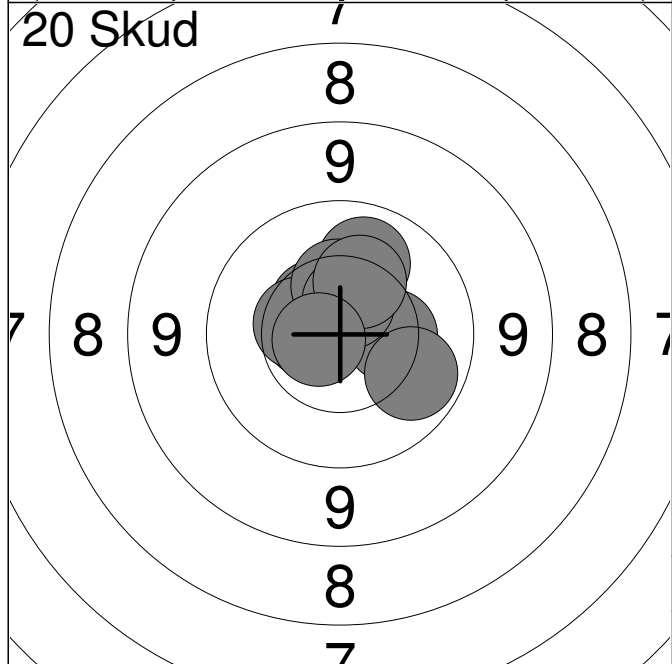


11:	10.1	↖
12:	9.6	←
13:	10.1	↗
14:	10.4	←
15:	10.0	↑
16:	10.4	←
17:	10.4	←
18:	9.8	↑
19:	10.2	↗
20:	10.2	←

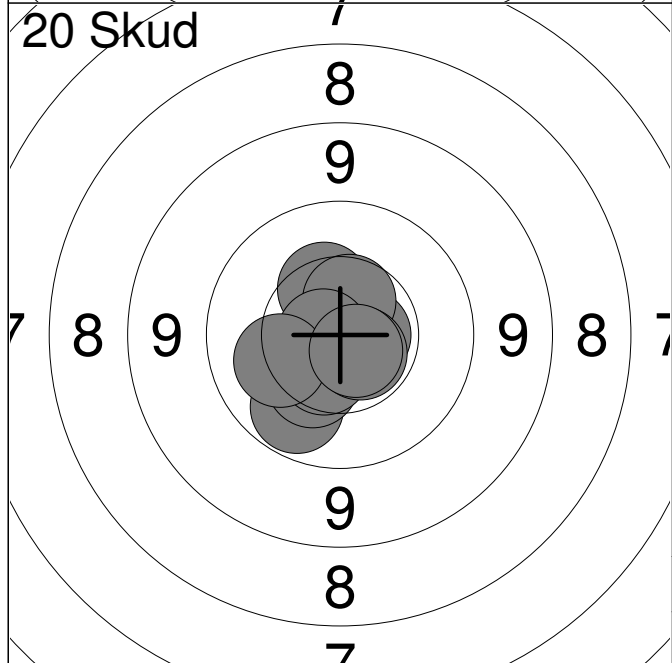
Serie	98.0
Total	194.0



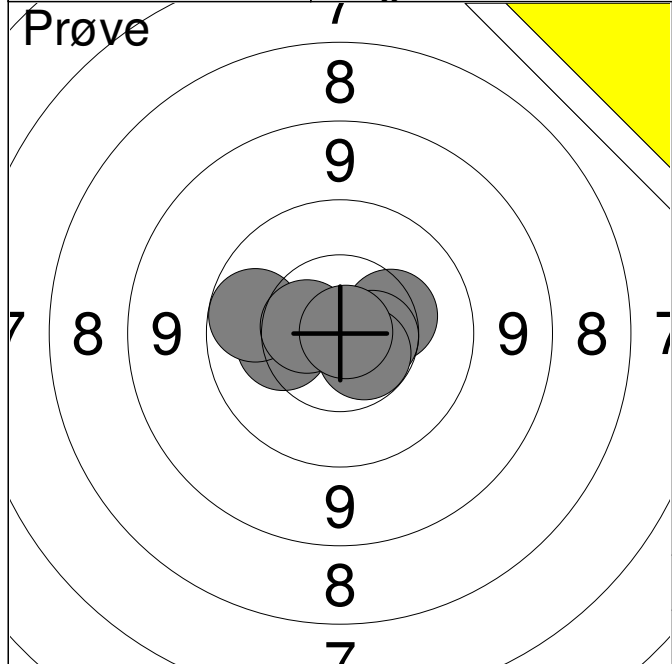
1:	10.1	↑
2:	9.4	↗
3:	10.3	→
4:	10.5	→
5:	10.2	↗
6:	10.1	↗
7:	10.5	↑
8:	10.5	↖
9:	10.9x	→
<b>Serie</b>		<b>89.0</b>
<b>Total</b>		<b>0.0</b>



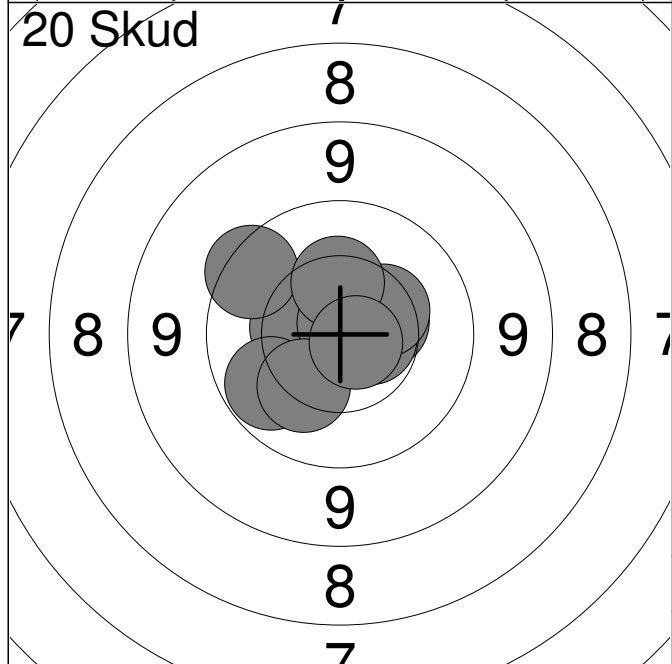
1:	10.6x	←
2:	10.4	→
3:	10.1	↑
4:	10.5	↗
5:	10.0	↘
6:	10.5	←
7:	10.4	↑
8:	10.6	↑
9:	10.3	↑
10:	10.7x	←
<b>Serie</b>		<b>100.0</b>
<b>Total</b>		<b>100.0</b>



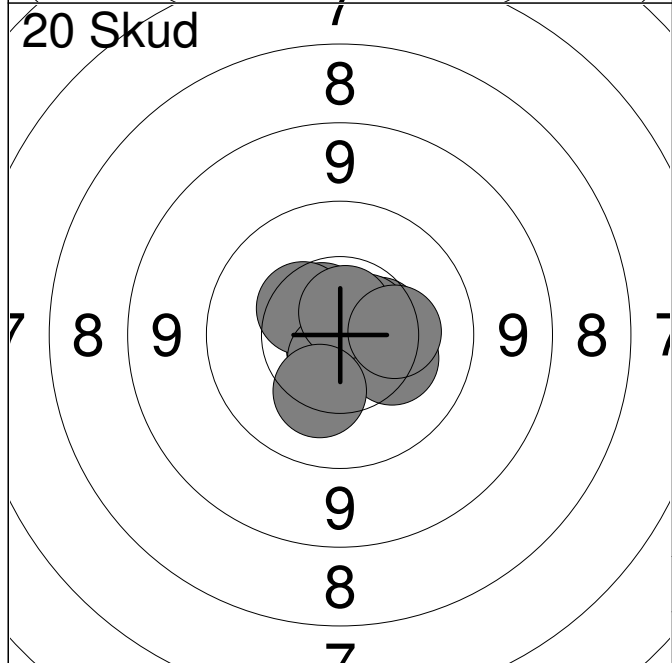
11:	10.0	↙
12:	10.4	↑
13:	10.7x	→
14:	10.5	↑
15:	10.3	↙
16:	10.5	↙
17:	10.8x	←
18:	10.2	←
19:	10.6x	↘
20:	10.7x	↘
<b>Serie</b>		<b>100.0</b>
<b>Total</b>		<b>200.0</b>



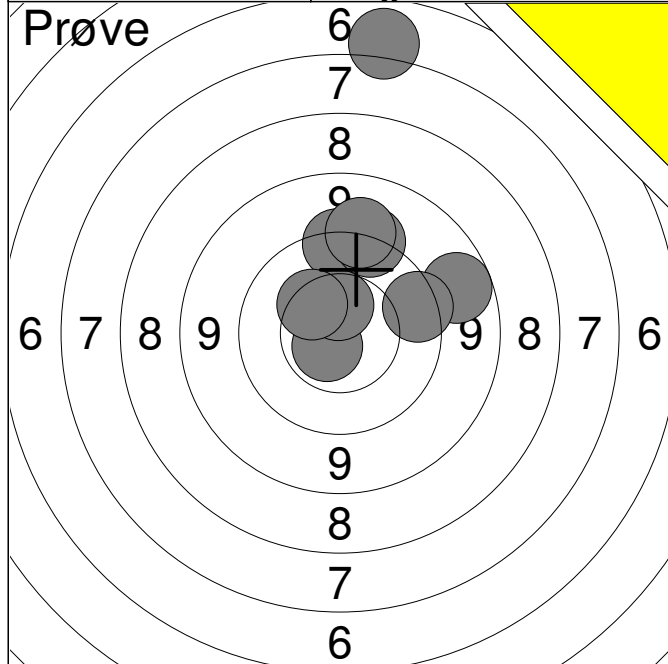
1:	10.3	←
2:	10.3	→
3:	9.9	←
4:	10.6	→
5:	10.6	←
6:	10.6x	↘
7:	10.9x	→
<b>Serie</b>		<b>69.0</b>
<b>Total</b>		<b>0.0</b>



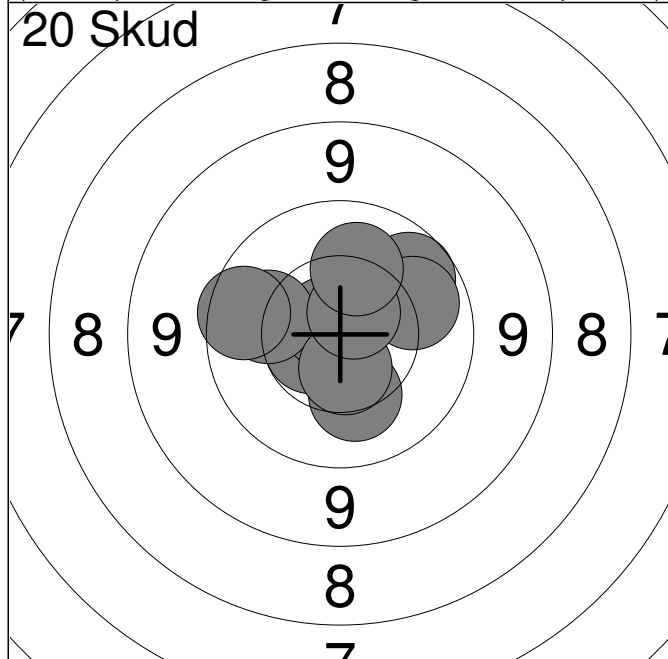
1:	10.4	←
2:	9.7	↗
3:	10.8x	↗
4:	10.4	→
5:	10.6x	→
6:	10.4	↗
7:	10.4	↑
8:	10.0	↙
9:	10.2	↙
10:	10.7x	↘
<b>Serie</b>		<b>99.0</b>
<b>Total</b>		<b>99.0</b>



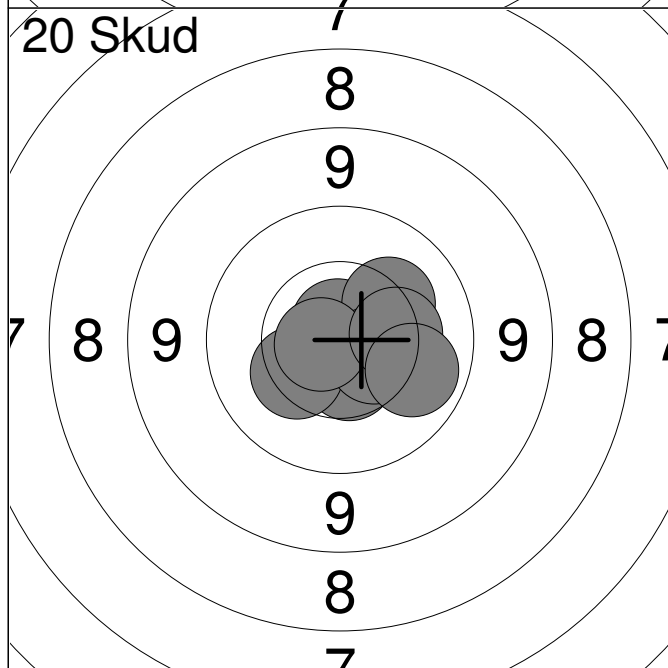
11:	10.8x	↙
12:	10.6x	↗
13:	10.4	↗
14:	10.5	→
15:	10.6x	↗
16:	10.7x	↘
17:	10.3	→
18:	10.7x	↑
19:	10.3	↘
20:	10.3	→
<b>Serie</b>		<b>100.0</b>
<b>Total</b>		<b>199.0</b>



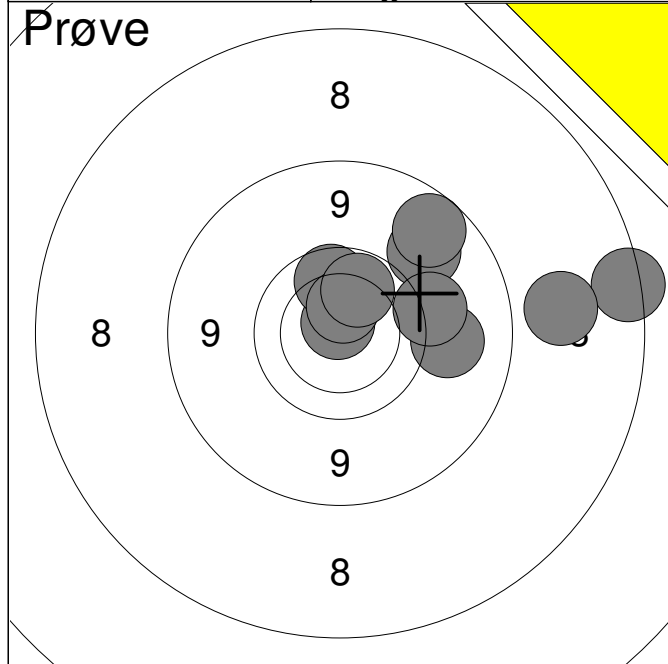
1:	6.1	↑
2:	9.5	↑
3:	9.0	→
4:	9.4	↑
5:	10.7x	↙
6:	9.3	↑
7:	9.7	→
8:	10.5	↑
10:	10.3	↖
<b>Serie</b>		<b>81.0</b>
<b>Total</b>		<b>0.0</b>



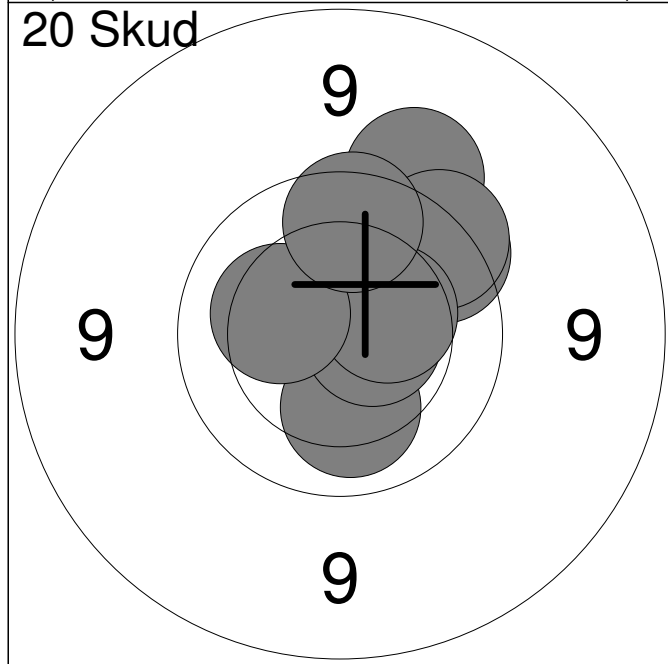
1:	10.6	↙
2:	10.8x	↗
3:	10.2	↓
4:	10.1	←
5:	9.9	↗
6:	9.8	←
7:	10.0	→
8:	10.6	↓
9:	10.7x	↗
10:	10.2	↑
<b>Serie</b>		<b>98.0</b>
<b>Total</b>		<b>98.0</b>



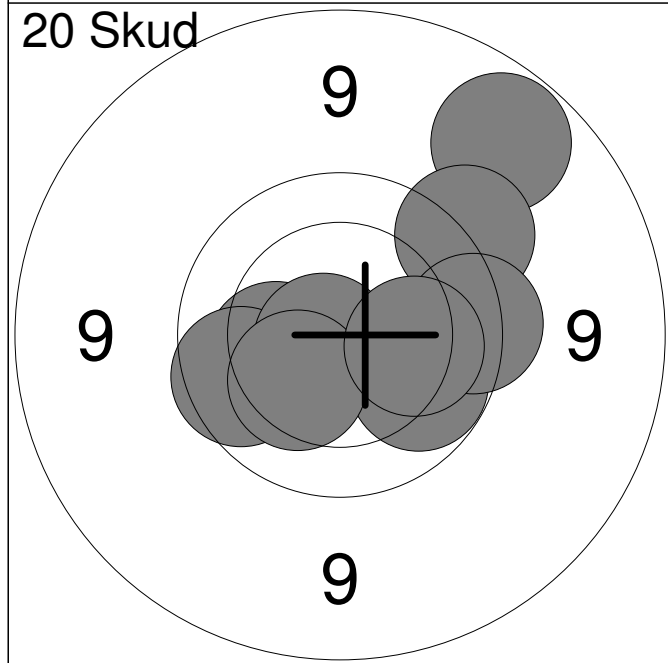
11:	10.6x	→
12:	10.5	↓
13:	10.8x	↑
14:	10.3	↙
15:	10.2	↗
16:	10.5	→
17:	10.5	→
18:	10.7x	←
19:	10.3	→
20:	10.0	↘
<b>Serie</b>		<b>100.0</b>
<b>Total</b>		<b>198.0</b>



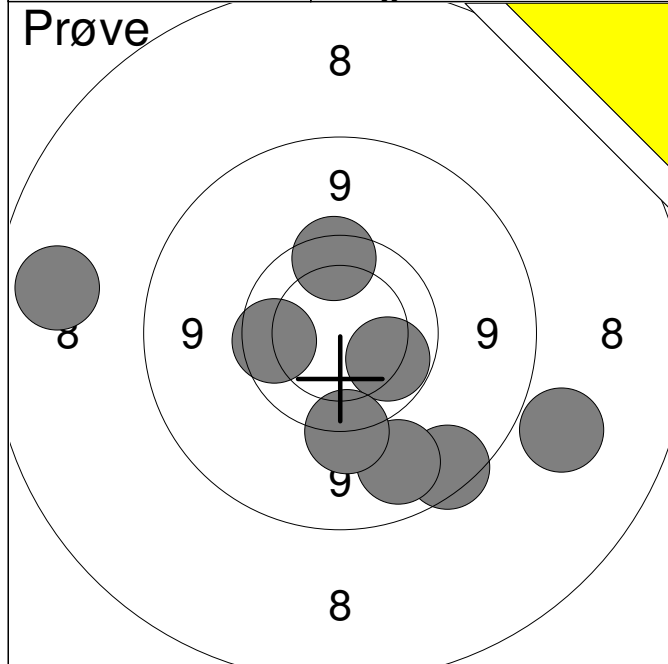
1:	9.2	↗
2:	7.8	→
3:	8.3	→
4:	10.7x	↑
5:	9.3	→
6:	9.4	→
7:	8.9	↗
8:	9.9	↑
9:	10.4	↑
10:	10.0	↗
<b>Serie</b>		<b>89.0</b>
<b>Total</b>		<b>0.0</b>



1:	9.5	↗
2:	9.9	↑
3:	10.1	↗
4:	9.7	↗
5:	9.7	↗
6:	10.1	↓
7:	10.6x	→
8:	10.4	→
9:	10.3	←
10:	9.8	↑
<b>Serie</b>		<b>95.0</b>
<b>Total</b>		<b>95.0</b>

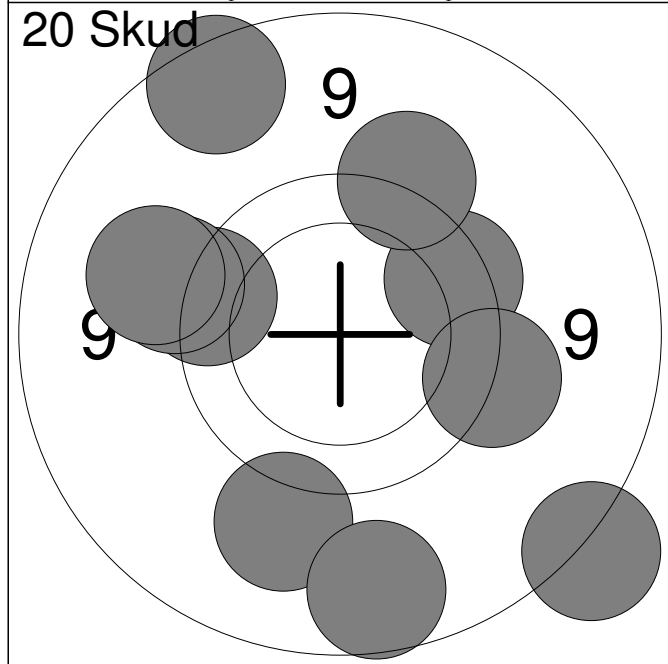


11:	9.0	↗
12:	9.5	↗
13:	10.0	→
14:	10.2	←
15:	9.9	←
16:	10.7x	←
17:	10.0	→
18:	9.7	→
19:	10.3	↙
20:	10.1	→
<b>Serie</b>		<b>96.0</b>
<b>Total</b>		<b>191.0</b>



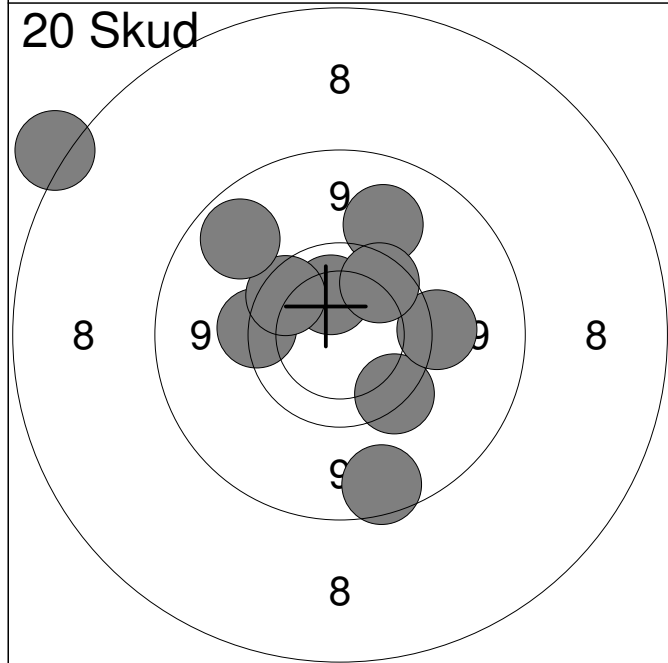
1:	8.8	↘
2:	8.4	→
3:	10.0	↘
4:	8.1	←
5:	9.1	↘
6:	9.5	↘
7:	9.8	←
8:	9.8	↑

Serie	70.0
Total	0.0



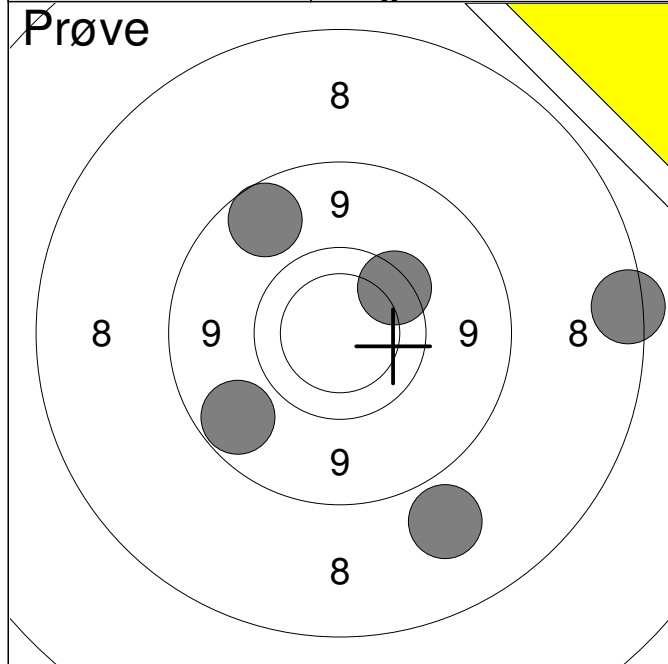
1:	9.7	←
2:	9.3	↘
3:	9.4	←
4:	9.7	→
5:	8.8	↑
6:	8.6	↘
7:	9.5	→
8:	9.5	↑
9:	8.9	↘
10:	9.3	←

Serie	87.0
Total	87.0

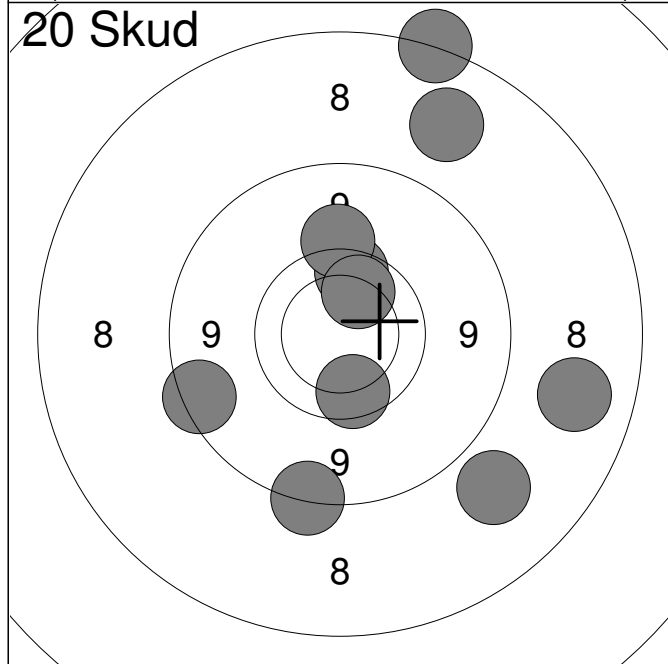


11:	8.9	↘
12:	9.6	←
13:	9.2	↑
14:	9.7	↘
15:	9.5	→
16:	10.2	↑
17:	9.8	↗
18:	7.6	↗
19:	9.8	↗
20:	9.0	↗

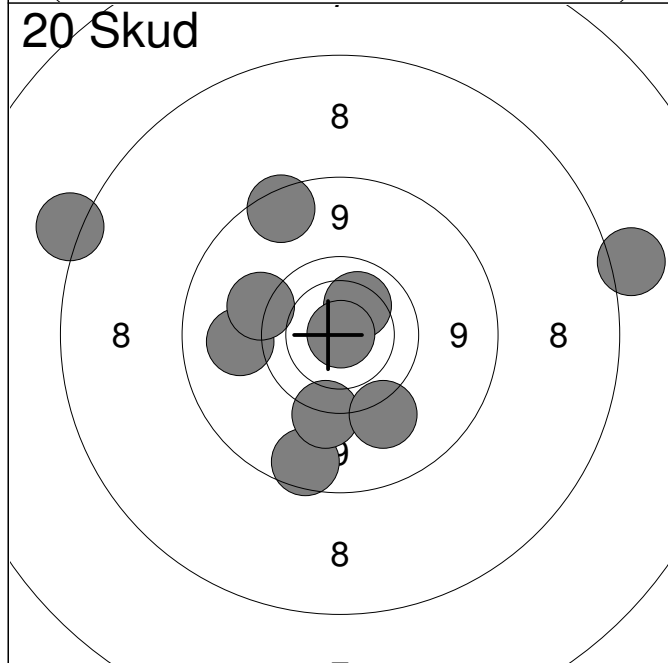
Serie	88.0
Total	175.0



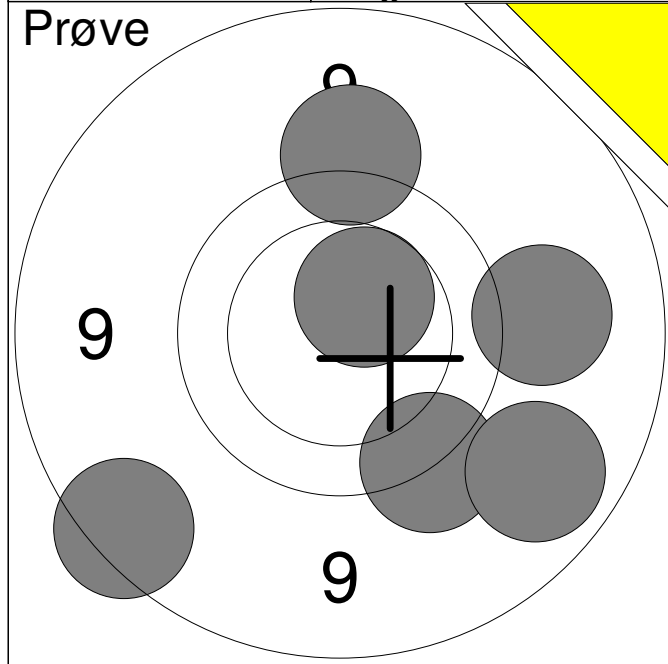
1:	8.3	↓
2:	7.8	→
3:	8.9	↗
4:	9.7	↗
5:	9.0	↙
<b>Serie</b>		<b>41.0</b>
<b>Total</b>		<b>0.0</b>



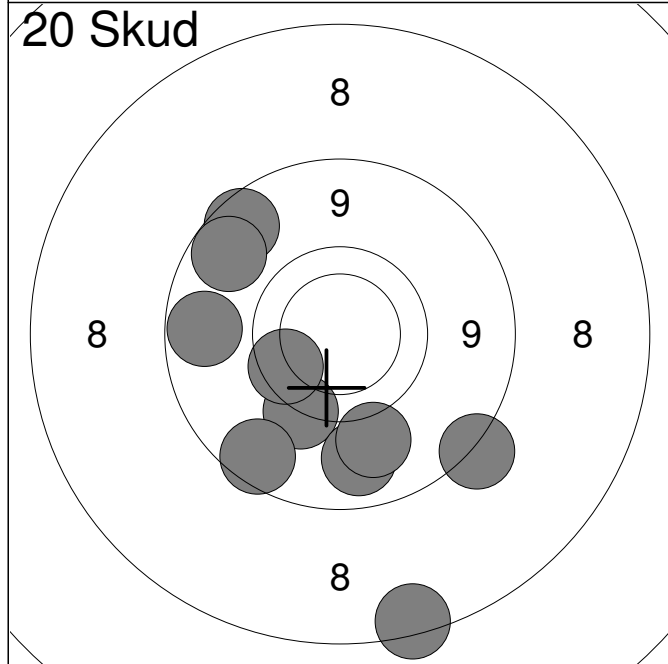
1:	8.1	→
2:	8.8	↙
3:	8.7	↓
4:	9.8	↑
5:	9.8	↓
6:	9.4	↑
7:	7.7	↗
8:	10.0	↗
9:	8.2	↗
10:	8.3	↓
<b>Serie</b>		<b>84.0</b>
<b>Total</b>		<b>84.0</b>



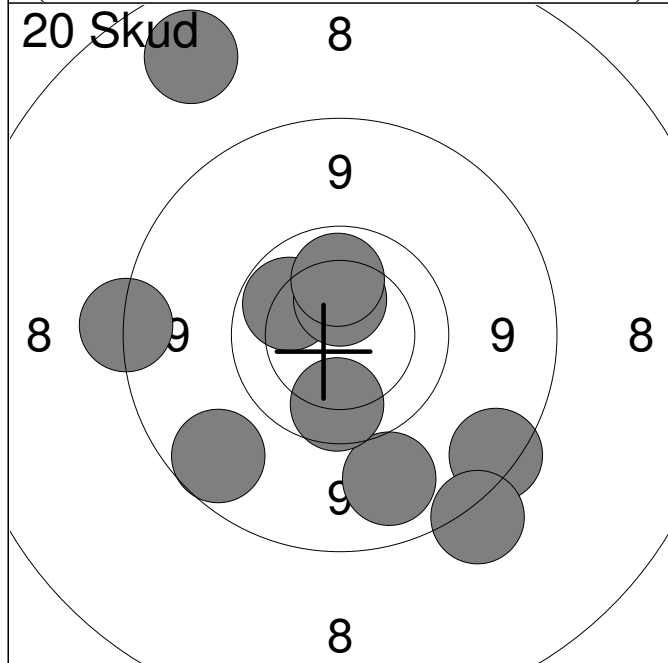
11:	9.3	←
12:	8.9	↓
13:	10.2	↗
14:	7.6	↖
15:	9.5	↖
16:	10.9x	↗
17:	9.5	↓
18:	7.5	→
19:	8.8	↗
20:	9.4	↓
<b>Serie</b>		<b>86.0</b>
<b>Total</b>		<b>170.0</b>



1:	9.5	↘
2:	9.4	↑
3:	9.0	↘
4:	10.5	↗
5:	8.8	↙
6:	9.3	→
<b>Serie</b>		<b>54.0</b>
<b>Total</b>		<b>0.0</b>

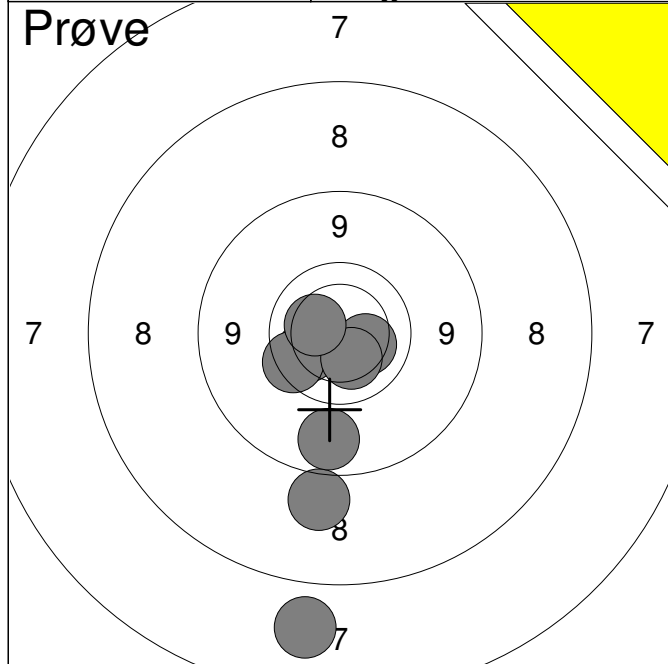


1:	9.0	←
2:	7.8	↘
3:	8.9	↗
4:	9.5	↘
5:	9.8	↙
6:	8.6	↘
7:	8.9	↙
8:	9.1	↘
9:	9.3	↘
10:	9.0	↗
<b>Serie</b>		<b>85.0</b>
<b>Total</b>		<b>85.0</b>



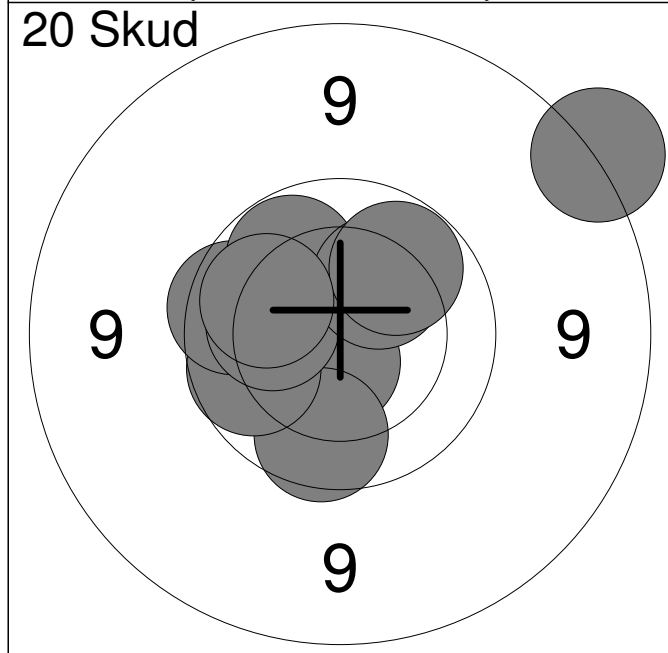
11:	10.0	↗
12:	8.7	←
13:	8.8	↘
14:	9.1	↘
15:	8.9	↙
16:	10.4	↑
17:	8.6	↘
18:	10.1	↑
19:	9.9	↘
20:	8.1	↗
<b>Serie</b>		<b>88.0</b>
<b>Total</b>		<b>173.0</b>





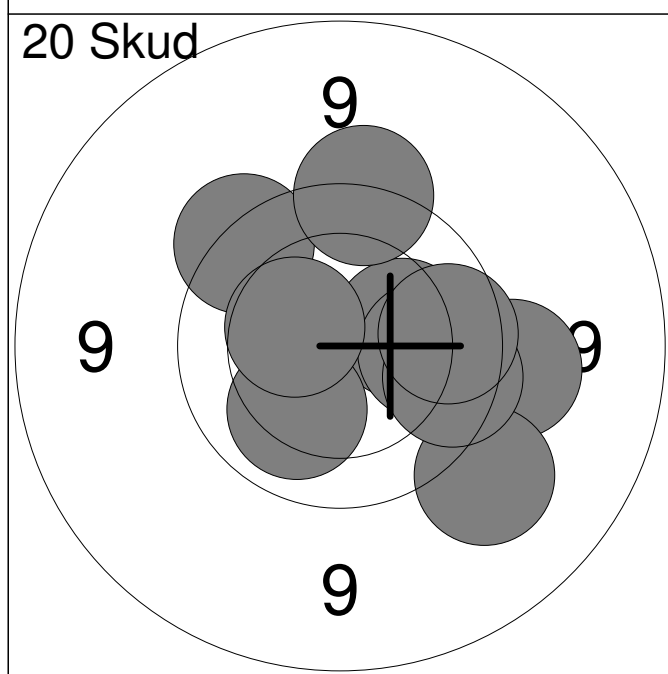
1:	7.3	↓
2:	8.4	↓
3:	9.0	↓
4:	10.0	↙
5:	10.2	→
6:	9.7	↙
7:	10.3	↓
8:	10.3	↖

Serie	73.0
Total	0.0



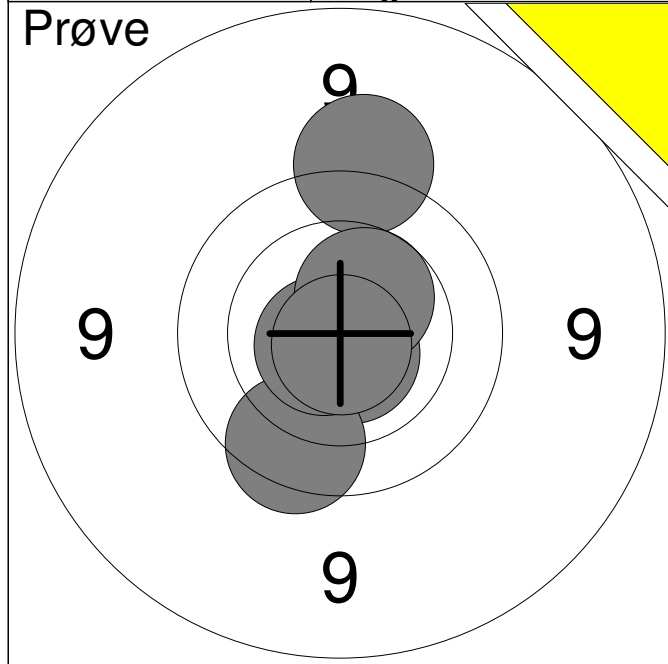
1:	10.6x	↓
2:	9.9	↓
3:	9.9	↙
4:	9.8	↙
5:	10.2	↙
6:	10.0	↗
7:	8.7	↗
8:	10.2	↗
9:	10.0	↗
10:	10.0	↖

Serie	95.0
Total	95.0



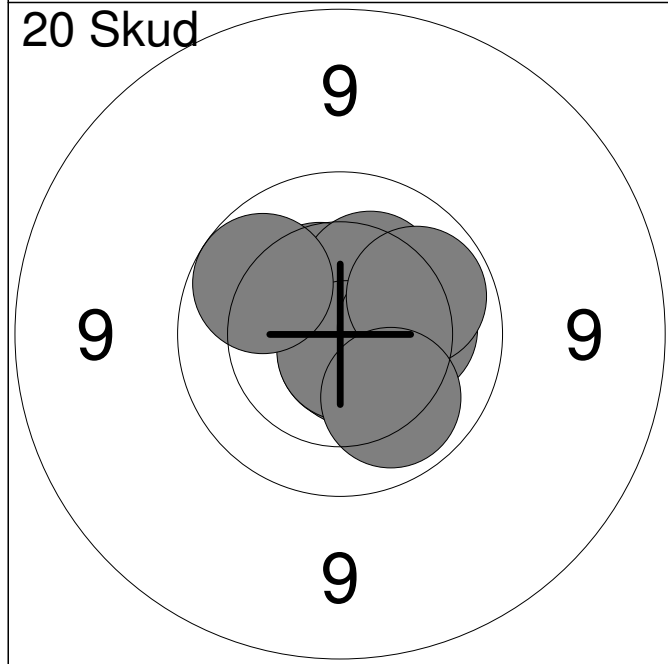
11:	10.3	→
12:	9.5	→
13:	10.1	↓
14:	9.3	↓
15:	10.0	→
16:	9.7	↗
17:	9.8	→
18:	9.9	→
19:	9.6	↑
20:	10.4	↖

Serie	94.0
Total	189.0



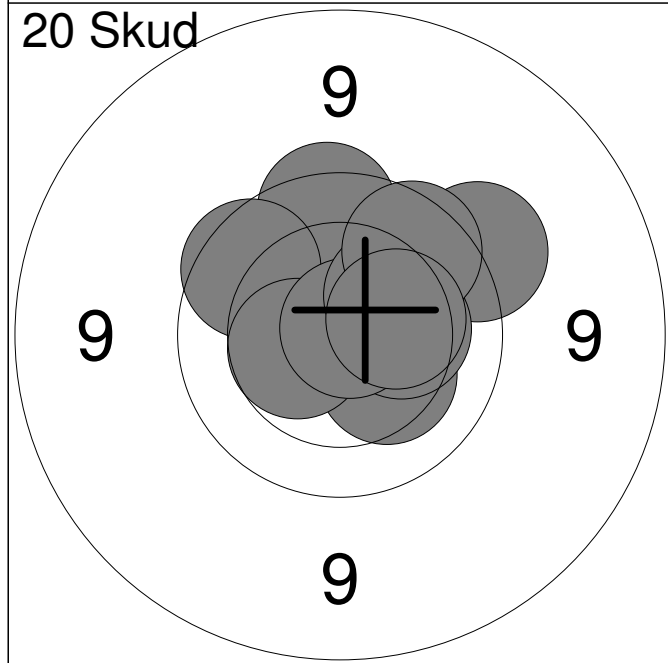
1:	9.5	↑
2:	10.7x	↓
3:	9.8	↓
4:	10.7x	↙
5:	10.5	↗
6:	10.8x	↓

Serie	58.0
Total	0.0



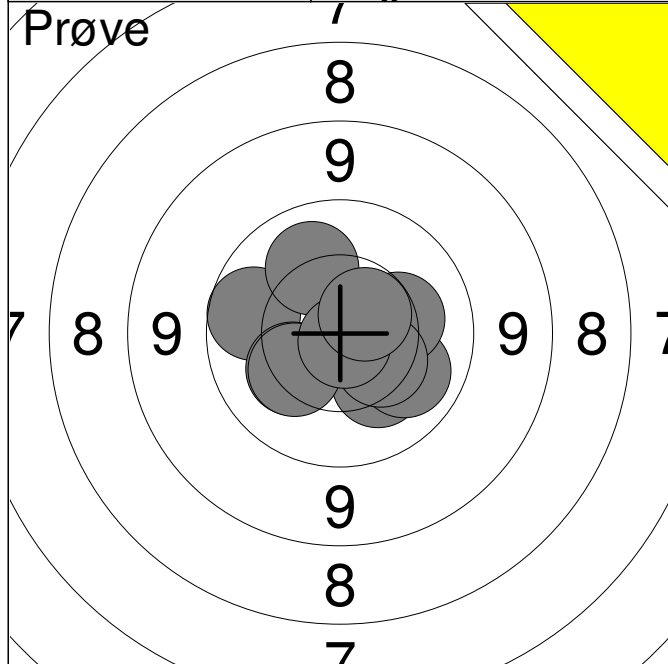
1:	10.7x	↓
2:	10.5x	↓
3:	10.4	↗
4:	10.3	↗
5:	10.7x	↓
6:	10.8x	↓
7:	10.2	→
8:	10.0	↗
9:	10.1	↓
10:	10.0	↗

Serie	100.0
Total	100.0

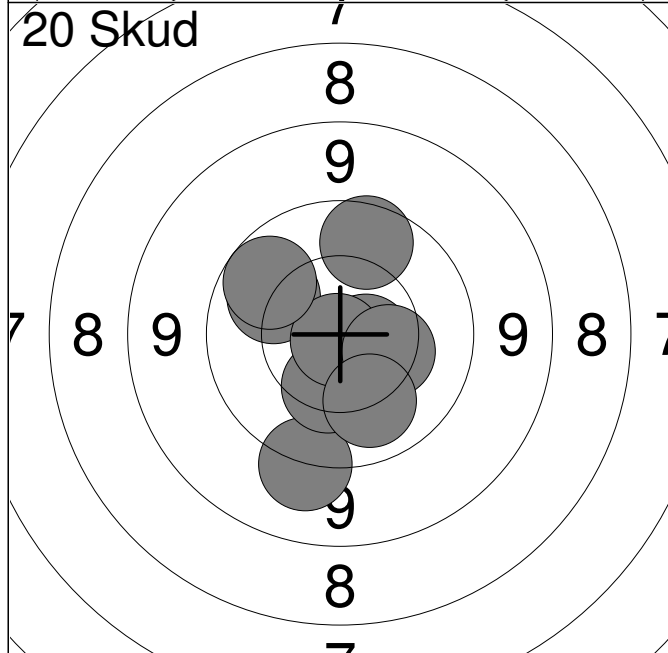


11:	10.3	↓
12:	9.8	↑
13:	9.5	↗
14:	10.3	→
15:	9.8	↗
16:	10.5	↙
17:	10.8x	↗
18:	10.2	↗
19:	9.8	↗
20:	10.3	→

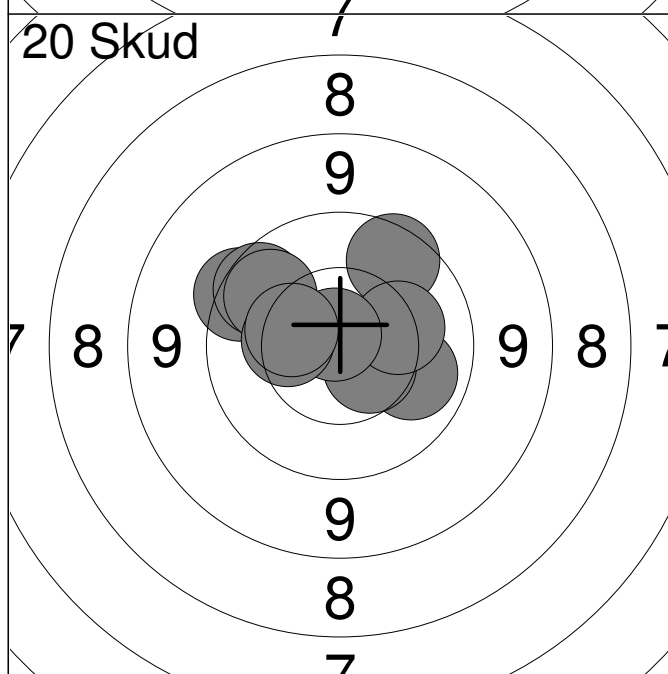
Serie	96.0
Total	196.0



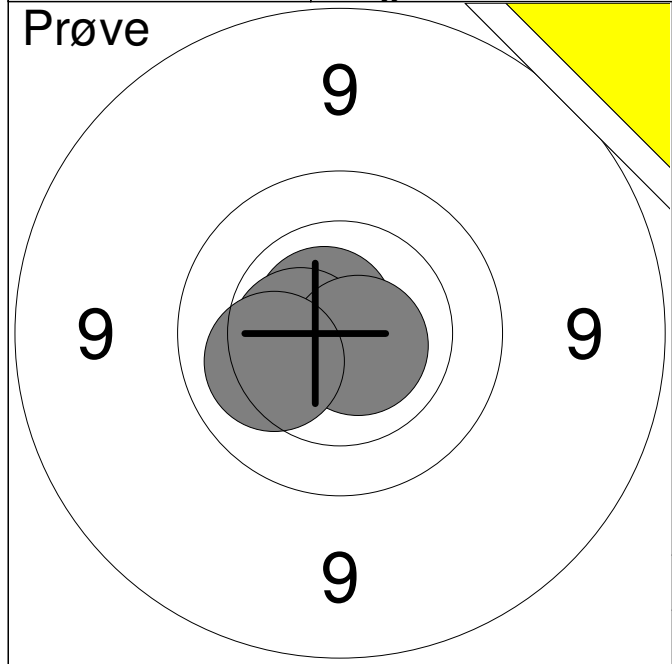
1:	10.2	↘
2:	9.9	↖
3:	10.1	↗
4:	10.1	↘
5:	10.3	→
6:	10.3	↖
7:	10.3	↖
8:	10.4	↘
9:	10.8x	↘
10:	10.6x	↗
Serie		99.0
Total		0.0



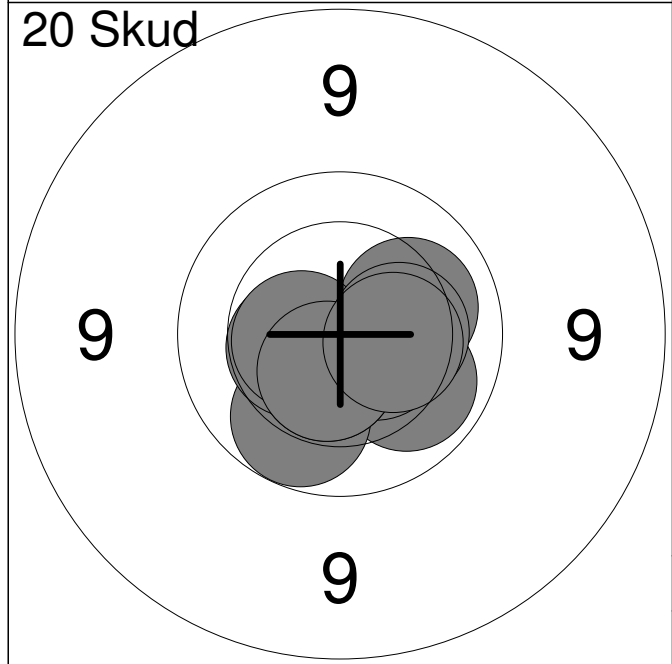
1:	9.3	↘
2:	10.3	↘
3:	10.7x	↗
4:	10.1	↗
5:	10.6x	→
6:	10.9x	↖
7:	10.4	↗
8:	9.8	↖
9:	9.9	↗
10:	10.1	↘
Serie		97.0
Total		97.0



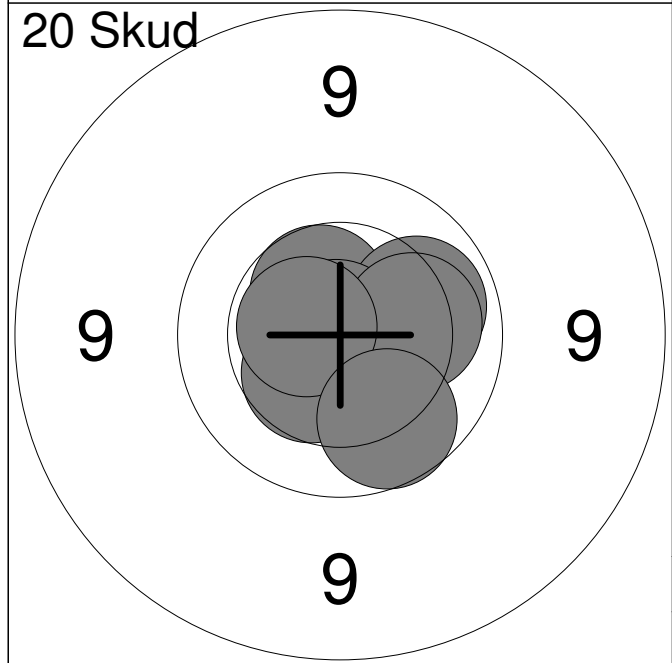
11:	9.8	↗
12:	9.6	↗
13:	10.1	↘
14:	10.5	↘
15:	9.8	↗
16:	10.2	→
17:	10.8x	↗
18:	10.0	↗
19:	10.3	↖
20:	10.4	↖
Serie		97.0
Total		194.0



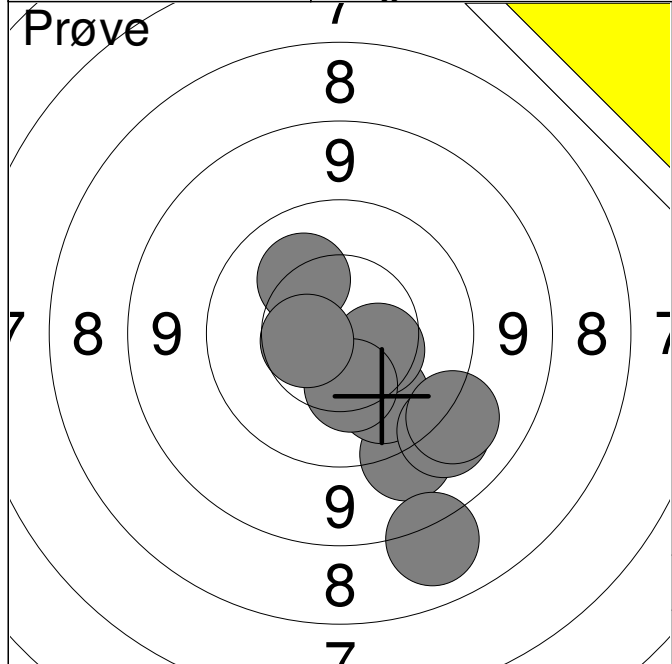
1:	10.6x	←
2:	10.7x	↗
3:	10.5x	←
4:	10.7x	↘
5:	10.2	←
<b>Serie</b>		<b>50.0</b>
<b>Total</b>		<b>0.0</b>



1:	10.1	↘
2:	10.0	↙
3:	10.5x	↘
4:	10.5x	↙
5:	10.4	←
6:	10.2	→
7:	10.5x	←
8:	10.3	→
9:	10.5x	↙
10:	10.4	→
<b>Serie</b>		<b>100.0</b>
<b>Total</b>		<b>100.0</b>

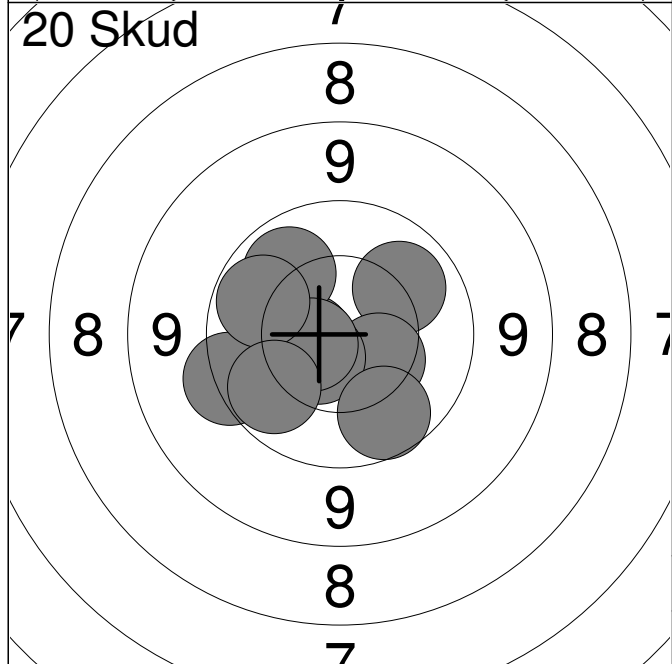


11:	10.8x	→
12:	10.5	↗
13:	10.1	→
14:	10.8x	↙
15:	10.6x	↙
16:	10.9x	↗
17:	10.4	↙
18:	10.2	→
19:	10.6x	←
20:	9.9	↘
<b>Serie</b>		<b>99.0</b>
<b>Total</b>		<b>199.0</b>



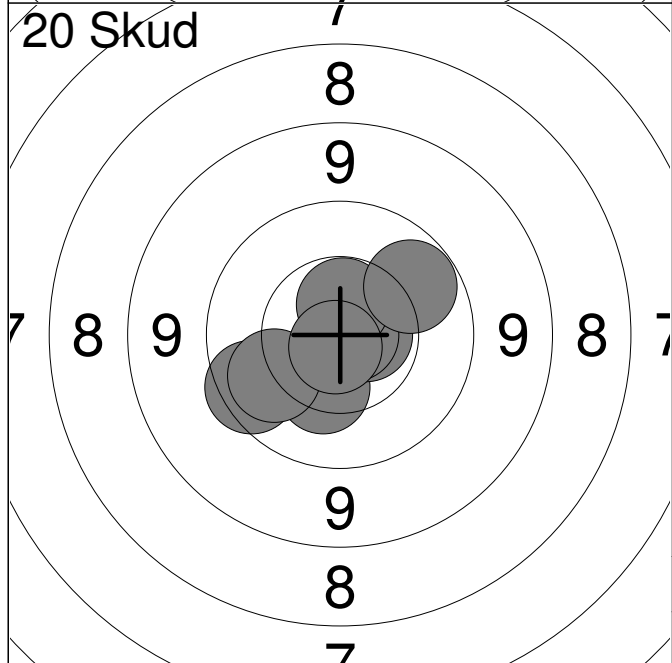
1:	9.3	↘
2:	8.2	↘
3:	10.1	↘
4:	9.2	↘
5:	9.3	↘
6:	10.5	↘
7:	10.3	↘
8:	10.2	↗
9:	10.6	↙

Serie	85.0
Total	0.0



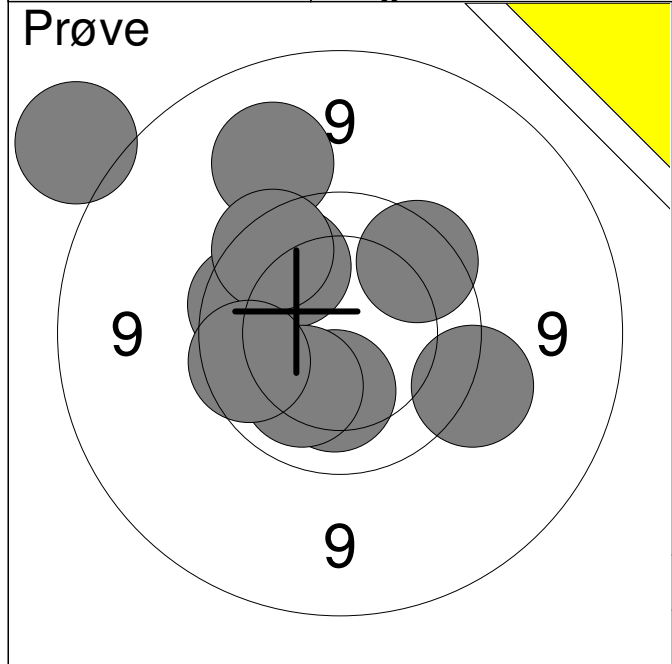
1:	10.1	↗
2:	10.4	↘
3:	9.5	↙
4:	10.6	↙
5:	10.6	↘
6:	10.0	↗
7:	10.6x	↙
8:	10.0	↙
9:	10.0	↘
10:	9.9	↘

Serie	98.0
Total	98.0

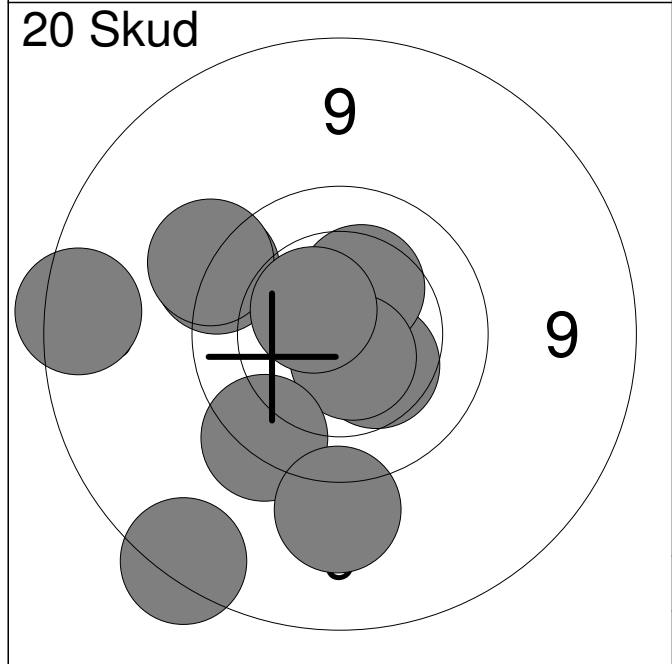


11:	10.8x	→
12:	10.7x	↗
13:	10.3	↘
14:	9.7	↙
15:	10.1	↙
16:	10.7x	→
17:	10.8x	→
18:	10.6x	↑
19:	10.0	↗
20:	10.8x	↘

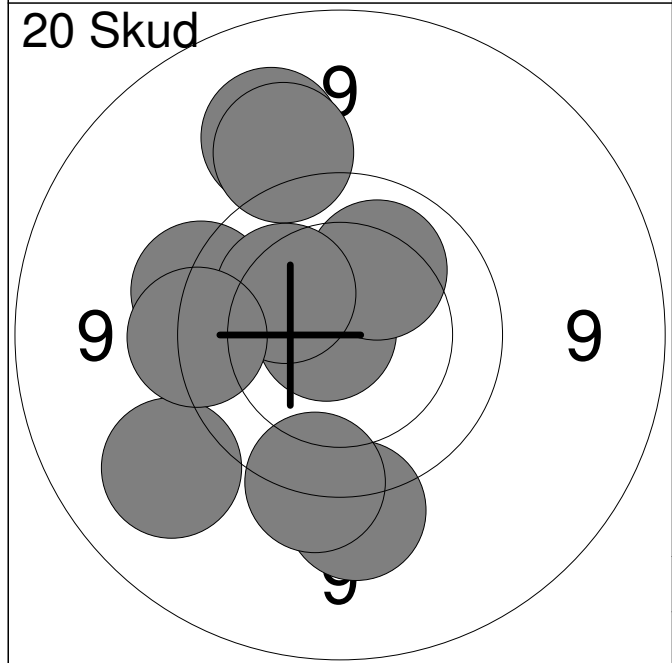
Serie	99.0
Total	197.0



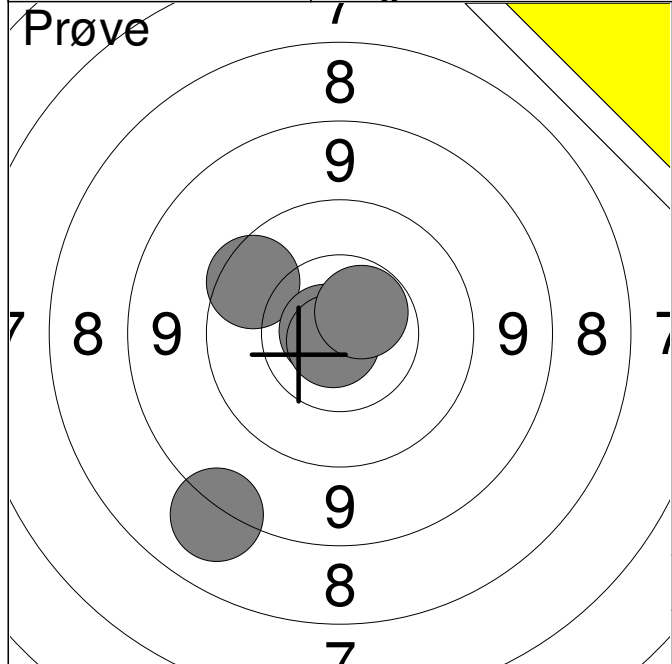
1:	9.8	↗
2:	9.2	↗
3:	9.9	↗
4:	9.8	↗
5:	9.8	↗
6:	10.2	↘
7:	9.5	↘
8:	8.5	↗
9:	10.1	↘
10:	9.8	↖
<b>Serie</b>		<b>91.0</b>
<b>Total</b>		<b>0.0</b>



1:	10.4	↘
2:	9.6	↗
3:	10.3	↗
4:	9.5	↗
5:	10.6x	↘
6:	9.7	↘
7:	9.3	↘
8:	8.8	↖
9:	10.5x	↗
10:	8.8	↘
<b>Serie</b>		<b>92.0</b>
<b>Total</b>		<b>92.0</b>

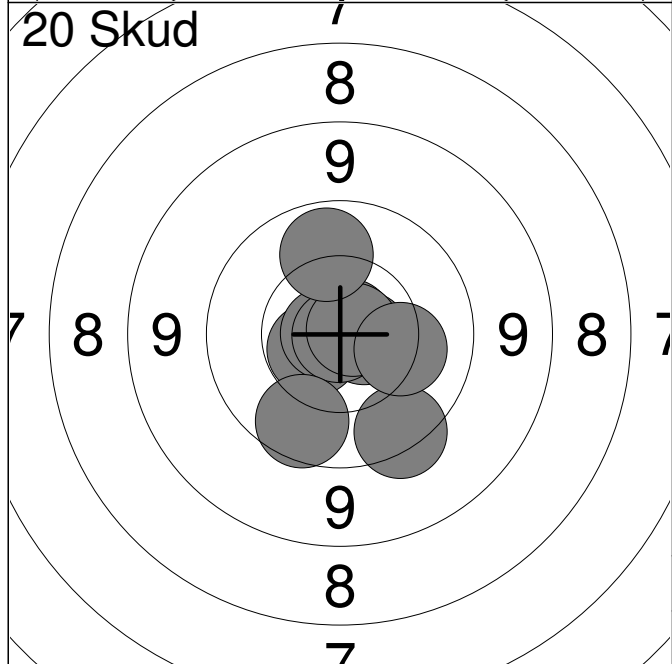


11:	10.8x	↖
12:	9.4	↘
13:	9.2	↗
14:	9.3	↗
15:	10.1	↗
16:	9.6	↗
17:	9.2	↖
18:	10.2	↗
19:	9.6	↘
20:	9.6	↖
<b>Serie</b>		<b>93.0</b>
<b>Total</b>		<b>185.0</b>



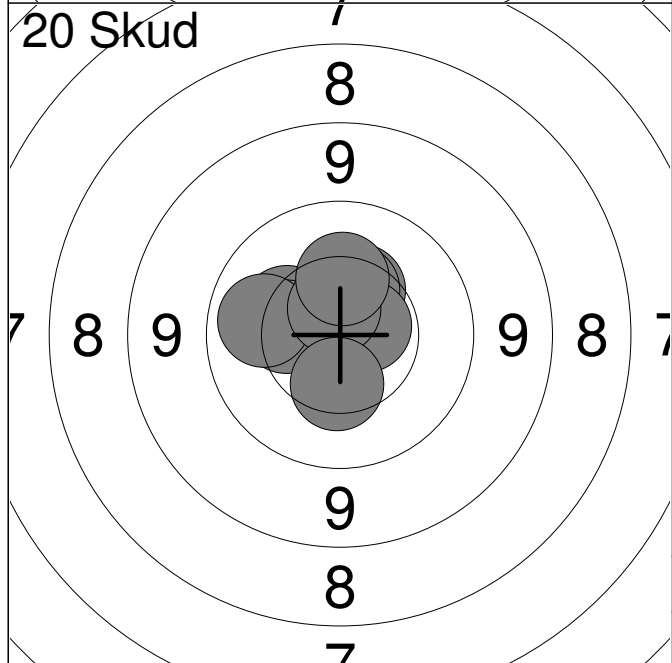
1:	8.3	↙
2:	9.8	↖
3:	10.8x	←
4:	10.8x	↙
5:	10.6x	↗

Serie	47.0
Total	0.0



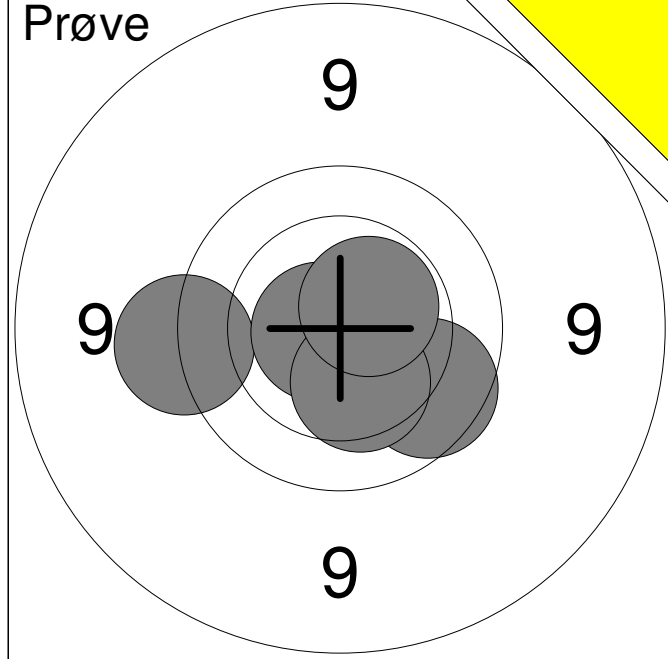
1:	10.7x	→
2:	10.6x	↙
3:	10.8x	↗
4:	10.8x	←
5:	9.6	↘
6:	10.9x	↙
7:	9.8	↘
8:	10.8x	→
9:	10.0	↑
10:	10.2	→

Serie	98.0
Total	98.0

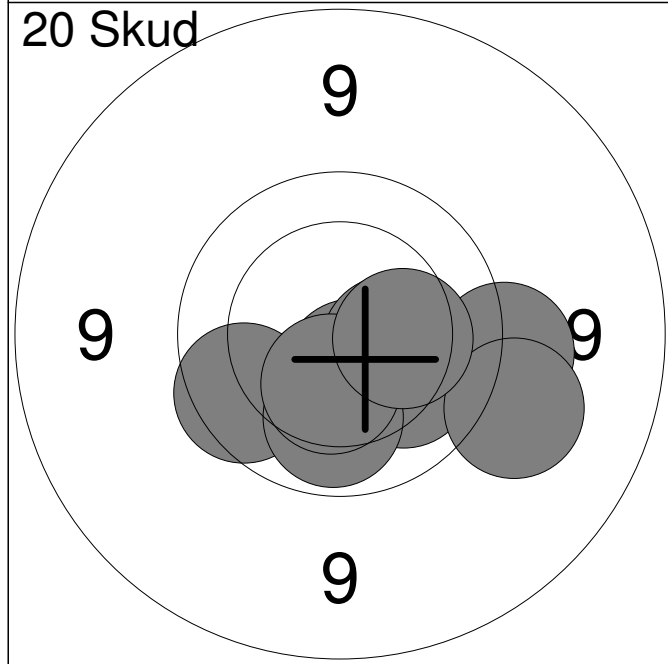


11:	10.7x	↖
12:	10.4	↗
13:	10.3	↙
14:	10.4	↑
15:	10.6x	→
16:	10.3	↙
17:	10.1	↙
18:	10.6x	↑
19:	10.3	↑
20:	10.4	↘

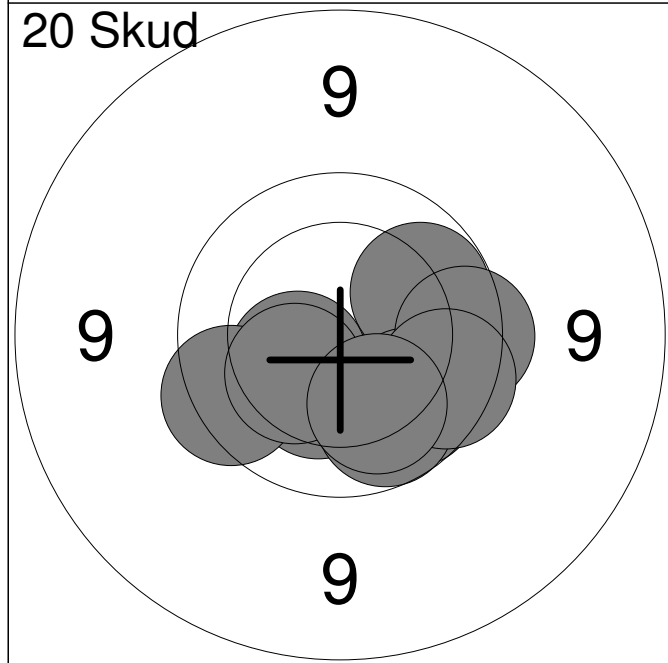
Serie	100.0
Total	198.0



	1:	9.6	←
	2:	10.7x	←
	3:	9.9	↘
	4:	10.3	↘
	5:	10.6x	↗
<b>Serie</b>			<b>48.0</b>
<b>Total</b>			<b>0.0</b>

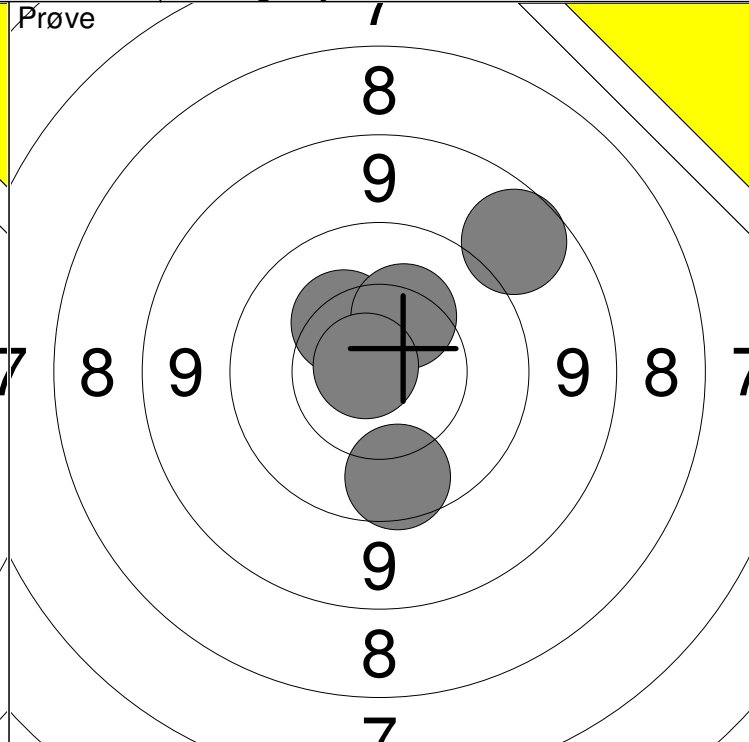
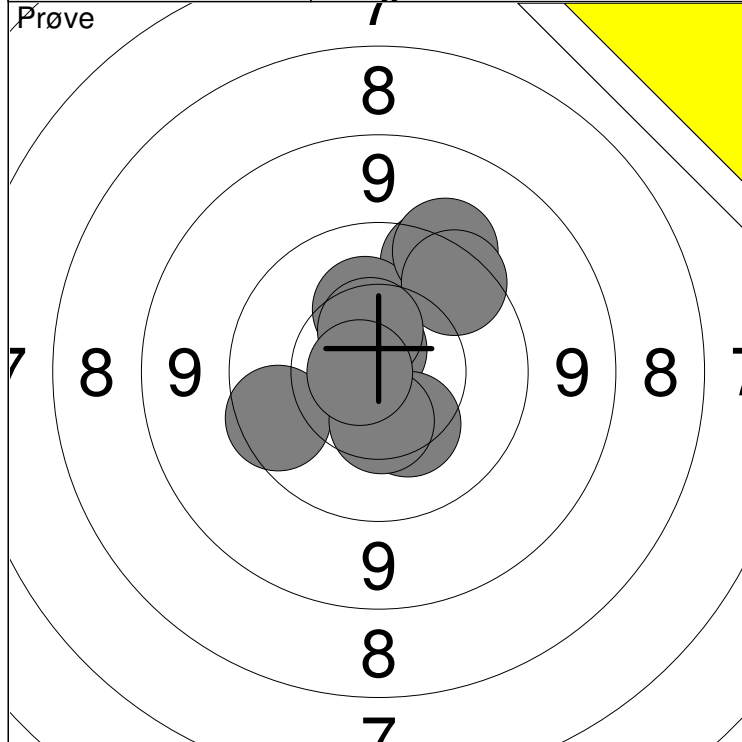


	1:	10.5x	↘
	2:	10.3	↘
	3:	9.8	←
	4:	10.4	→
	5:	9.5	→
	6:	10.1	↘
	7:	10.0	↘
	8:	9.4	→
	9:	10.4	↘
	10:	10.3	→
<b>Serie</b>			<b>97.0</b>
<b>Total</b>			<b>97.0</b>



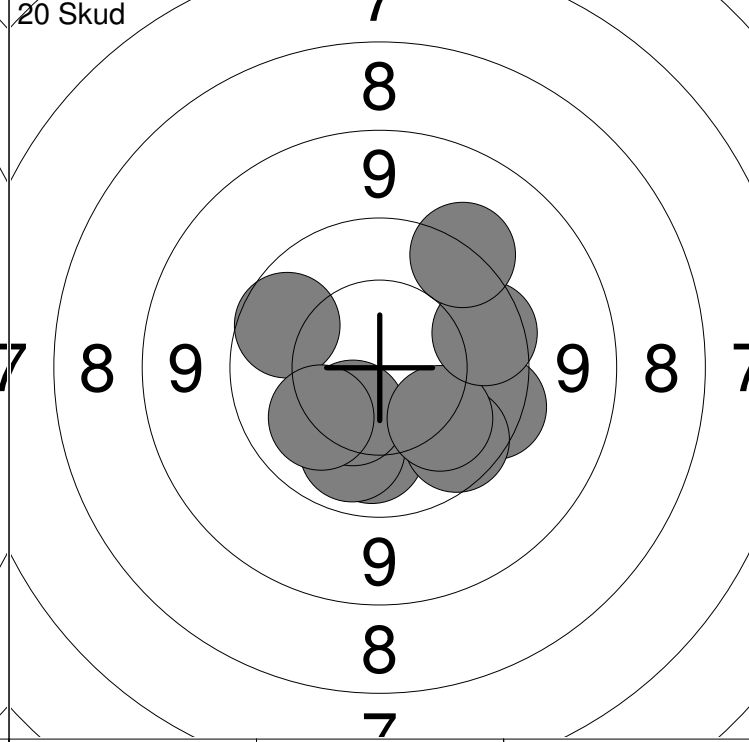
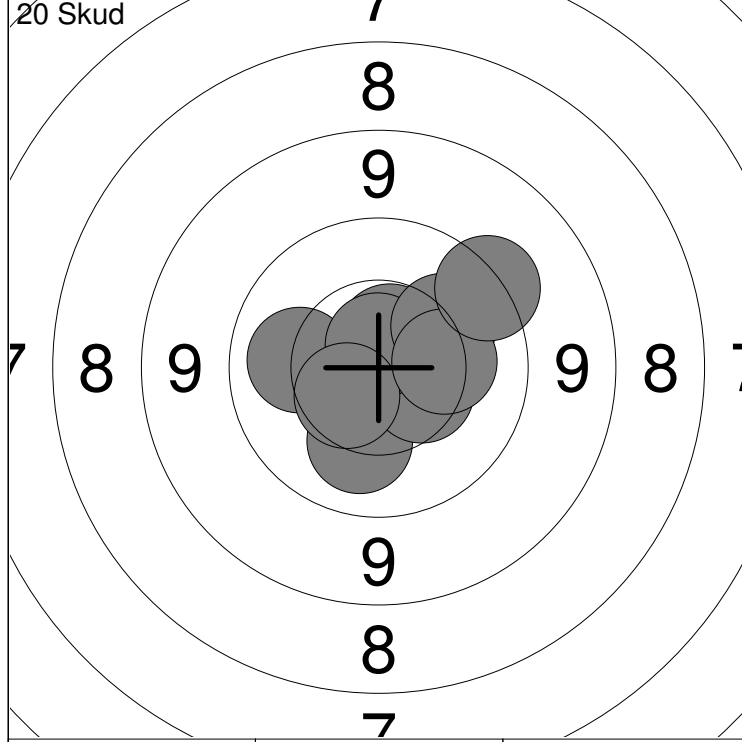
	11:	10.0	↗
	12:	10.3	↘
	13:	9.9	↘
	14:	9.9	↘
	15:	10.4	←
	16:	9.7	→
	17:	9.8	←
	18:	9.8	→
	19:	10.3	←
	20:	10.1	↘
<b>Serie</b>			<b>95.0</b>
<b>Total</b>			<b>192.0</b>





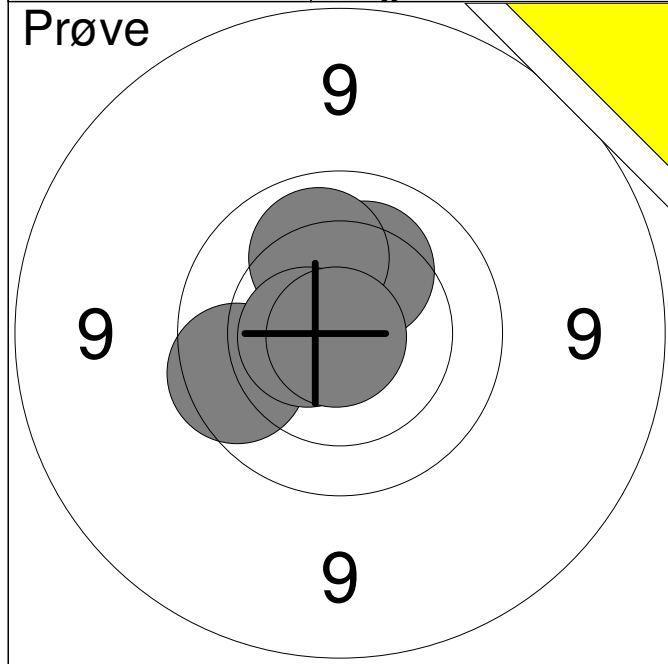
1: 9.7 ↗	6: 10.5 ↑	Serie	96
2: 10.7x ↑	7: 10.3 ↓		
3: 10.3 ↑	8: 9.8 ←	Total	0
4: 9.5 ↗	9: 10.4 ↓		
5: 9.7 ↗	10: 10.8x ←		

11: 8.9 ↗	Serie	47
12: 10.3 ↗		
13: 10.3 ↗	Total	0
14: 9.8 ↓		
15: 10.8x ↖		

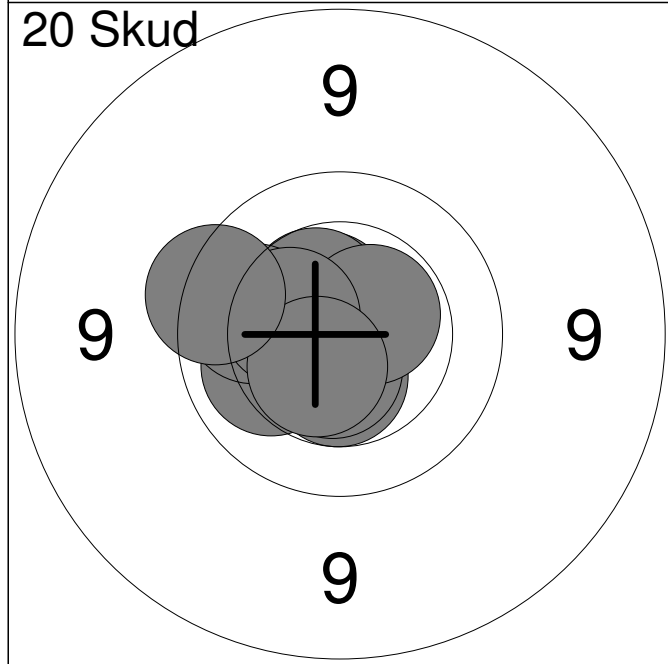


1: 10.6x ↓	6: 10.7x ↑	Serie	99
2: 10.2 ↓	7: 10.5 ↖		
3: 10.1 ←	8: 10.1 ↗	Total	99
4: 10.6x ↑	9: 10.3 →		
5: 10.4 ↘	10: 9.5 ↗		

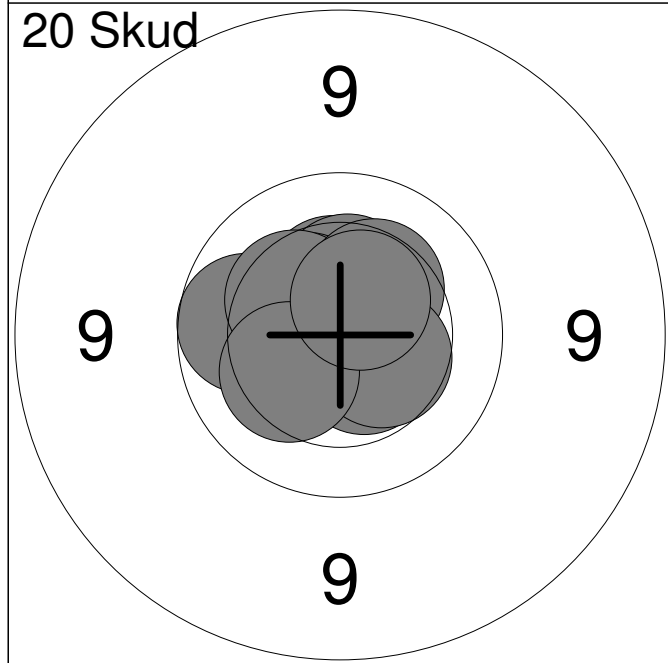
11: 9.7 →	16: 9.9 ↓	Serie	95
12: 9.9 ↖	17: 10.1 ↓		
13: 10.1 ↓	18: 9.8 →	Total	194
14: 10.1 ↓	19: 10.2 ↖		
15: 10.4 ↖	20: 9.5 ↗		



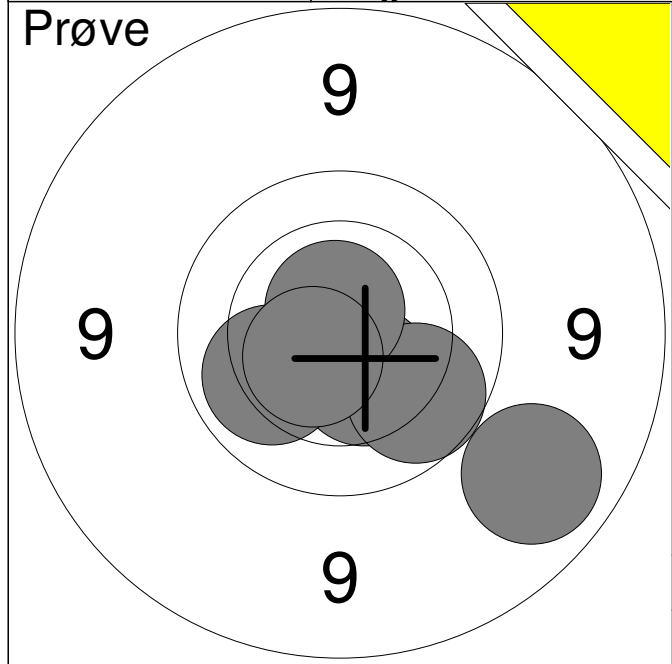
1:	9.8	←
2:	10.2	↑
3:	10.1	↑
4:	10.6x	←
5:	10.9x	↙
Serie		49.0
Total		0.0



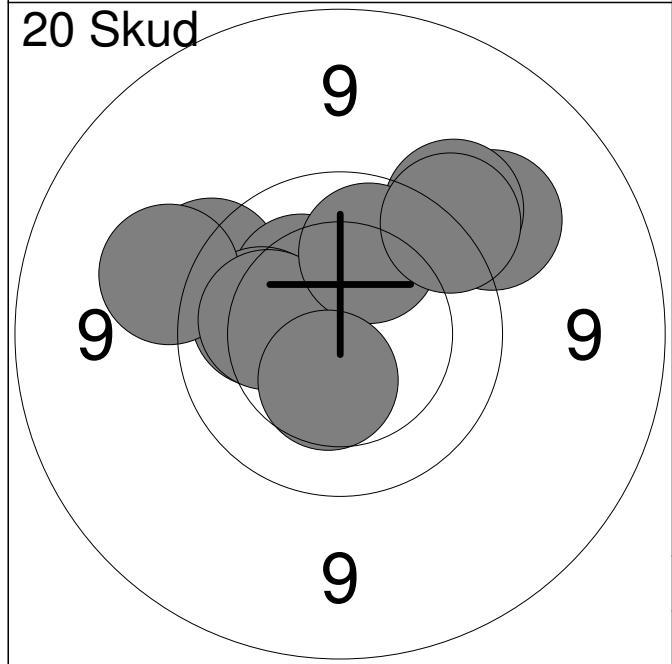
1:	10.6x	↑
2:	10.5x	↓
3:	10.5	↑
4:	10.1	←
5:	10.0	←
6:	10.6x	↓
7:	10.6x	↗
8:	10.4	←
9:	10.5x	↙
10:	9.7	←
Serie		99.0
Total		99.0



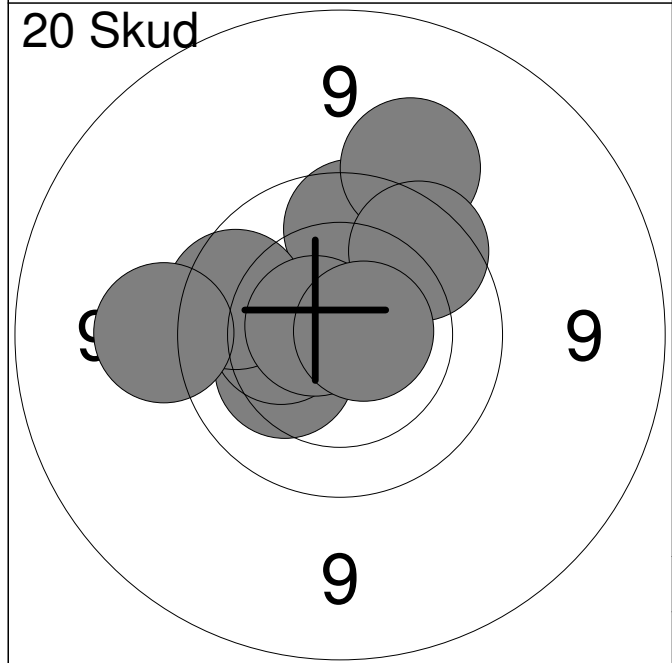
11:	9.9	←
12:	10.4	↑
13:	10.4	↑
14:	10.4	↑
15:	10.5x	↓
16:	10.3	↗
17:	10.3	↗
18:	10.4	↘
19:	10.3	↙
20:	10.5x	↑
Serie		99.0
Total		198.0



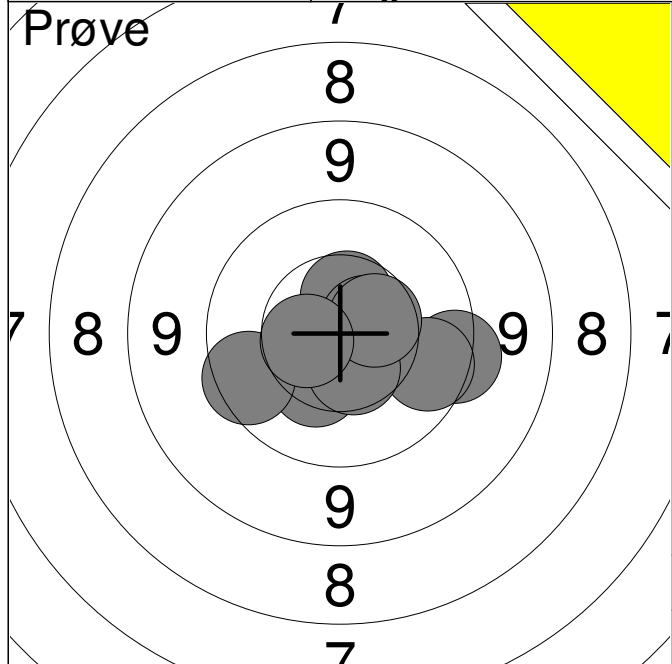
1:	10.4	↘
2:	9.1	↘
3:	10.1	↙
4:	9.9	↘
5:	10.7x	↑
6:	10.6x	↙
<b>Serie</b>		<b>58.0</b>
<b>Total</b>		<b>0.0</b>



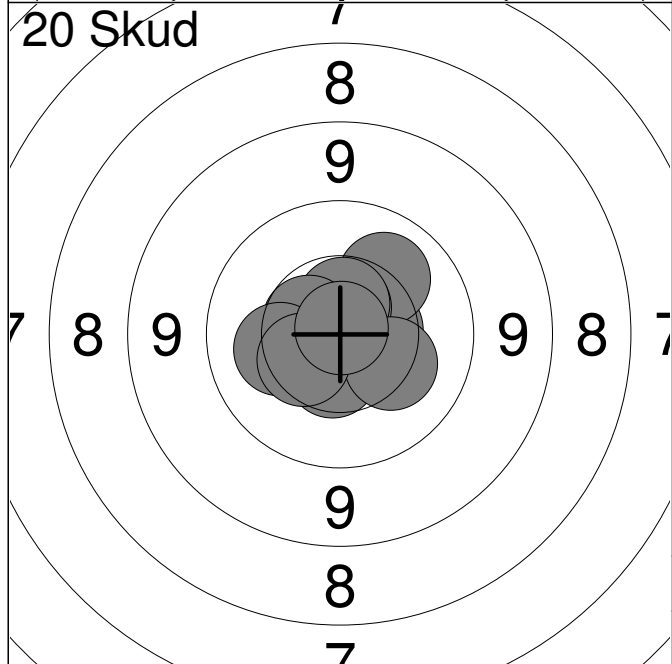
1:	9.4	↗
2:	9.6	↖
3:	10.3	↗
4:	10.1	↖
5:	9.4	↖
6:	9.5	↗
7:	10.2	↖
8:	10.0	↑
9:	9.6	↗
10:	10.4	↓
<b>Serie</b>		<b>95.0</b>
<b>Total</b>		<b>95.0</b>



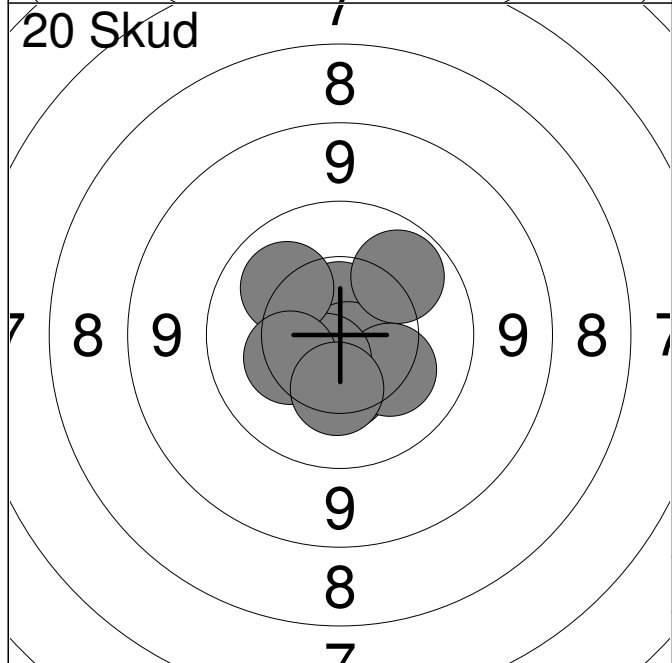
11:	10.4	↖
12:	9.9	↑
13:	10.3	↖
14:	9.4	↗
15:	10.3	↖
16:	9.8	↗
17:	9.8	↖
18:	10.7x	↖
19:	9.4	↖
20:	10.7x	→
<b>Serie</b>		<b>95.0</b>
<b>Total</b>		<b>190.0</b>



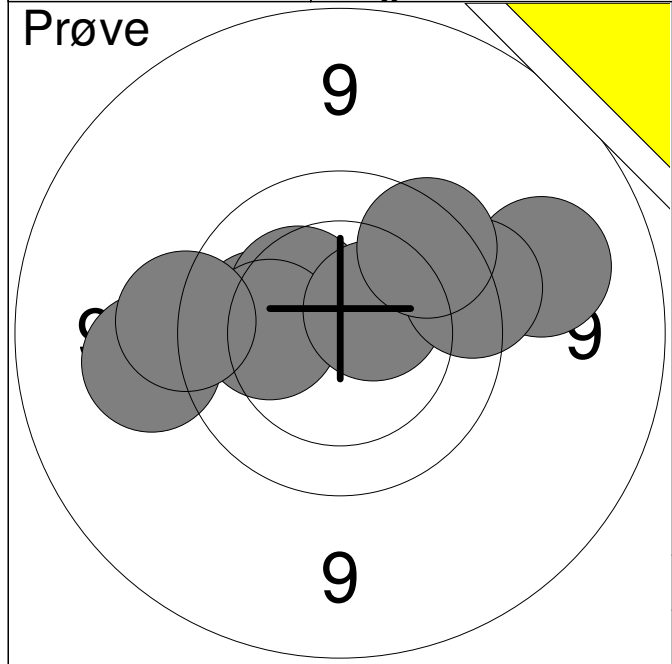
1:	10.5	↑
2:	9.6	→
3:	10.3	↙
4:	9.9	→
5:	10.6x	→
6:	10.5	↘
7:	9.8	↙
8:	10.5	→
9:	10.6	←
<b>Serie</b>		<b>87.0</b>
<b>Total</b>		<b>0.0</b>



1:	10.5	→
2:	10.1	↗
3:	10.6x	↑
4:	10.6x	↑
5:	10.5	↘
6:	10.6	↙
7:	10.3	→
8:	10.2	←
9:	10.4	↙
10:	10.9x	↑
<b>Serie</b>		<b>100.0</b>
<b>Total</b>		<b>100.0</b>

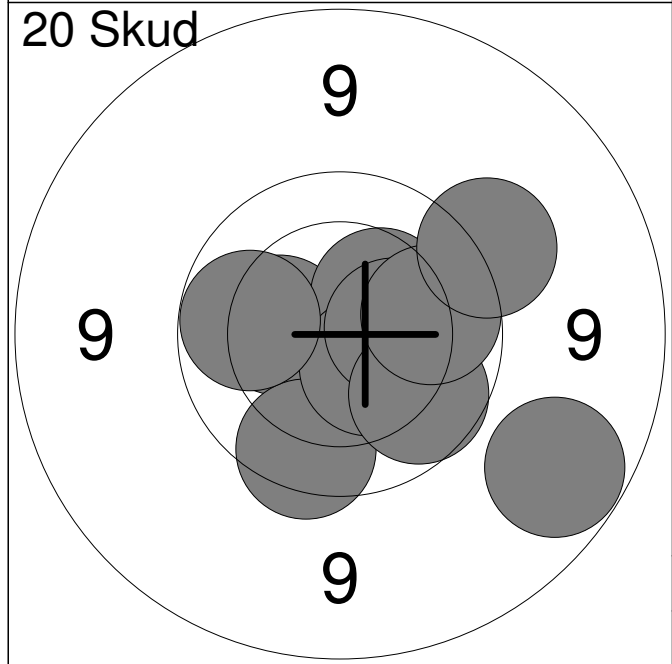


11:	10.4	↓
12:	10.6x	↑
13:	10.7x	↘
14:	10.8x	↘
15:	10.0	↗
16:	10.2	↘
17:	10.6x	↙
18:	10.1	↗
19:	10.3	↙
20:	10.3	↓
<b>Serie</b>		<b>100.0</b>
<b>Total</b>		<b>200.0</b>



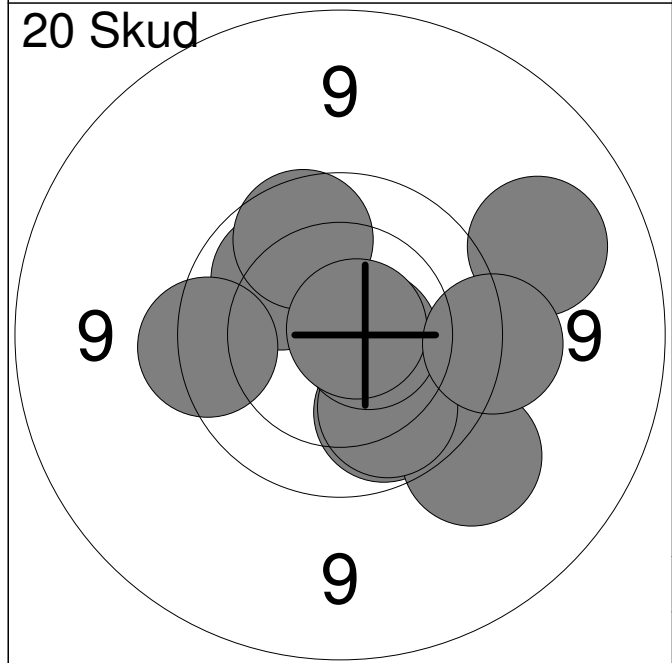
1:	9.3	←
2:	10.1	←
3:	10.3	↗
4:	10.2	←
5:	9.6	←
6:	9.2	→
7:	10.5x	↗
8:	9.7	→
9:	9.8	↗

Serie	85.0
Total	0.0



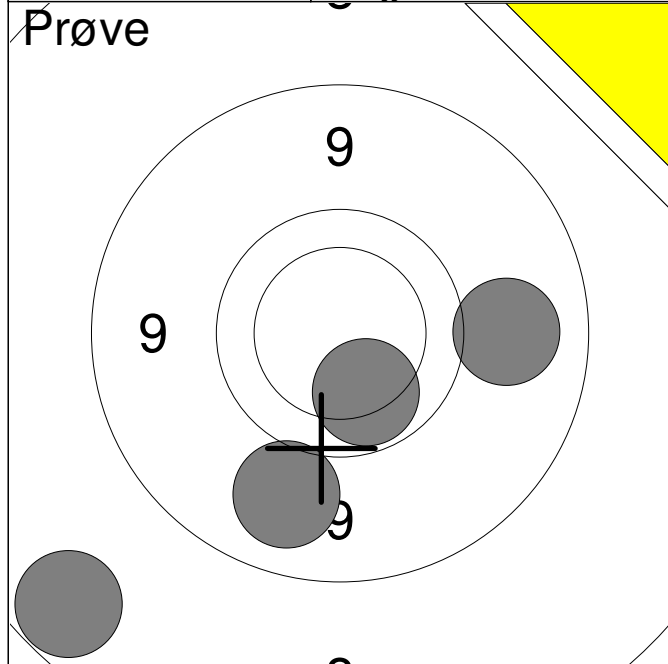
1:	10.3	←
2:	9.8	↓
3:	10.4	↗
4:	10.5	↓
5:	9.0	↓
6:	10.0	←
7:	10.4	→
8:	9.9	↓
9:	9.9	→
10:	9.5	↗

Serie	95.0
Total	95.0

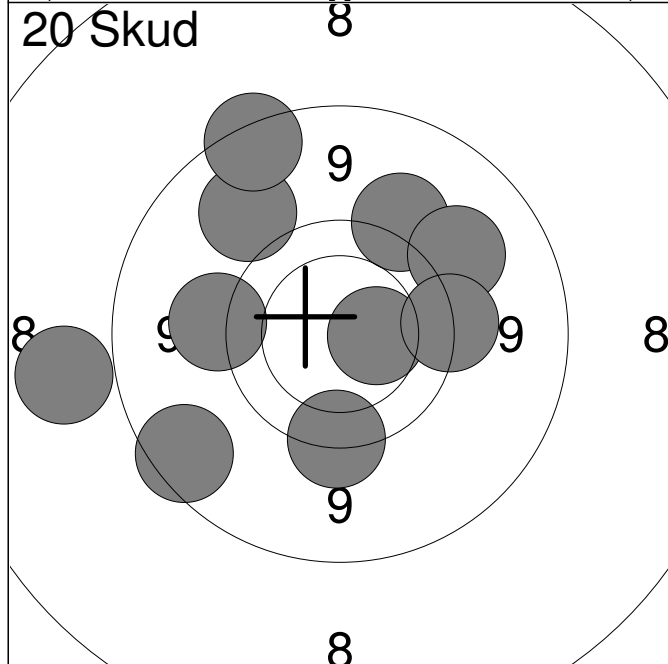


11:	10.0	↓
12:	9.4	↓
13:	10.0	↓
14:	10.6x	→
15:	9.2	↗
16:	10.1	↗
17:	9.9	↗
18:	10.8x	→
19:	9.7	←
20:	9.6	→

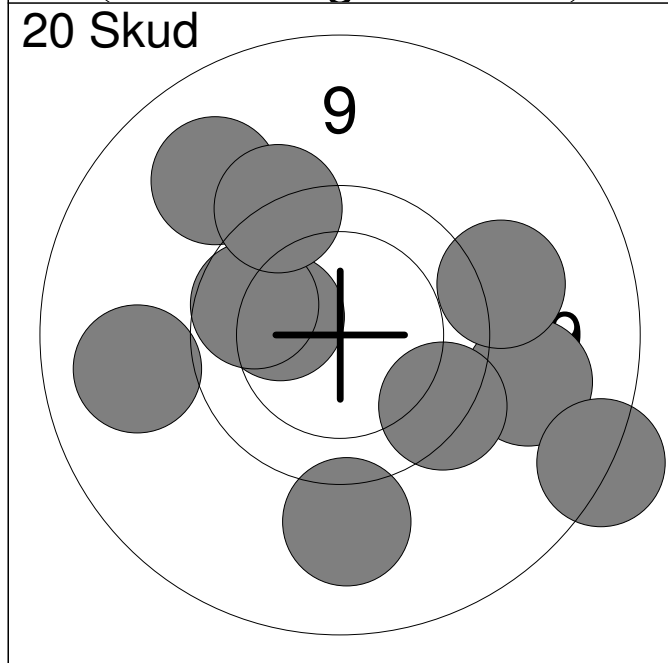
Serie	95.0
Total	190.0



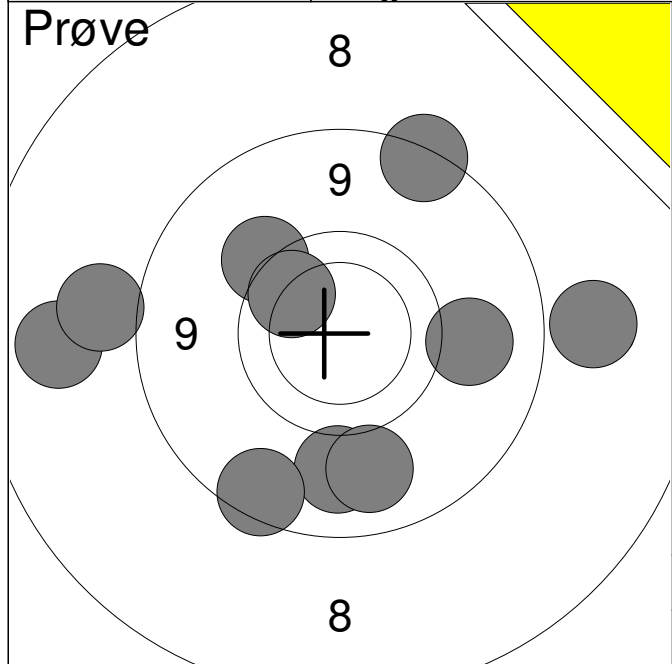
1:	8.0	↙
2:	9.2	→
3:	9.2	↘
4:	10.0	↘
<b>Serie</b>		<b>36.0</b>
<b>Total</b>		<b>0.0</b>



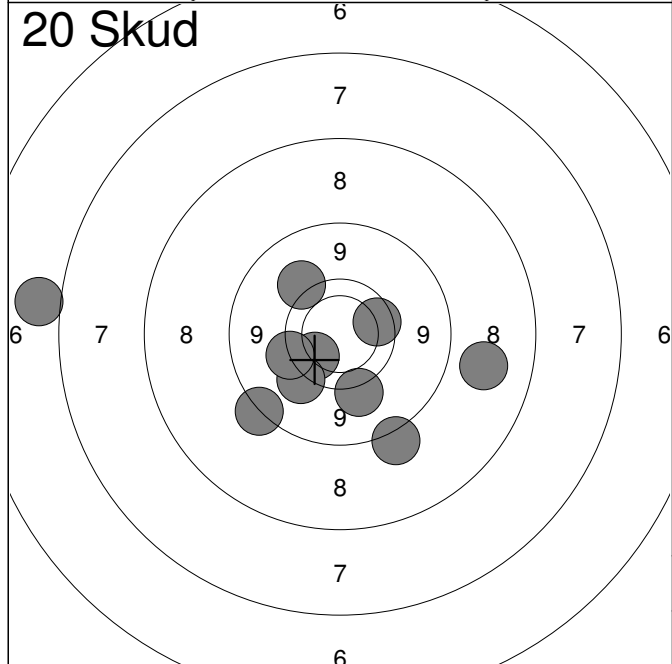
1:	9.4	↗
2:	9.2	↗
3:	8.9	↙
4:	8.4	←
5:	9.3	↗
6:	10.4	→
7:	9.4	←
8:	9.6	↘
9:	8.8	↗
10:	9.6	→
<b>Serie</b>		<b>88.0</b>
<b>Total</b>		<b>88.0</b>



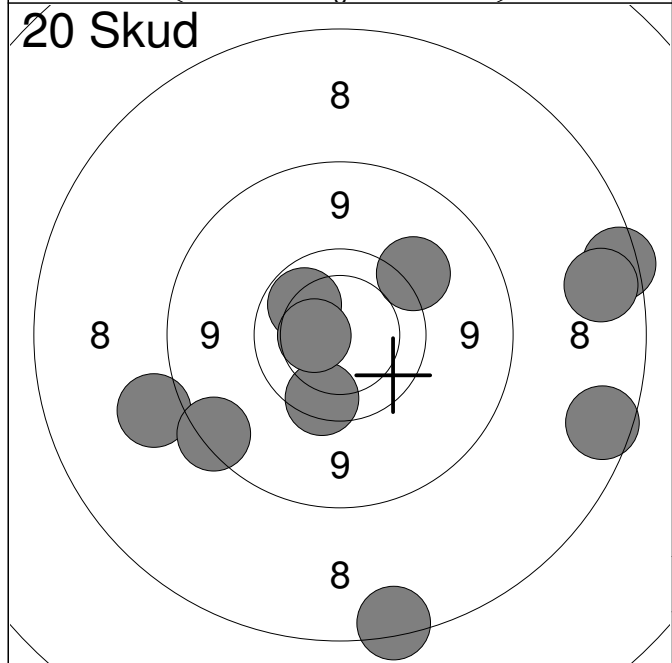
11:	9.2	→
12:	8.7	↘
13:	10.2	↖
14:	9.7	↘
15:	9.9	↗
16:	9.3	↘
17:	9.2	↗
18:	9.2	←
19:	9.4	→
20:	9.6	↗
<b>Serie</b>		<b>90.0</b>
<b>Total</b>		<b>178.0</b>



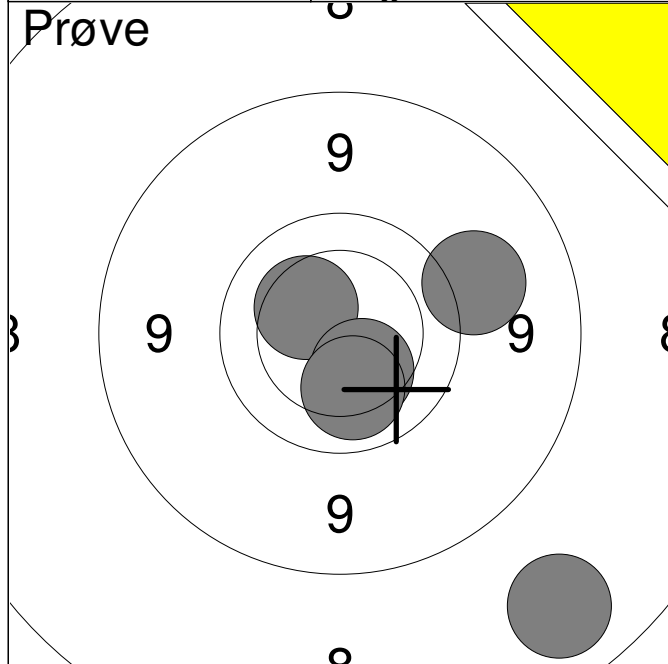
1:	8.2	←
2:	9.2	↓
3:	8.4	→
4:	8.4	←
5:	9.2	↓
6:	8.7	↗
7:	8.8	↘
8:	9.5	↗
9:	9.3	→
10:	9.9	↗
<b>Serie</b>		<b>85.0</b>
<b>Total</b>		<b>0.0</b>



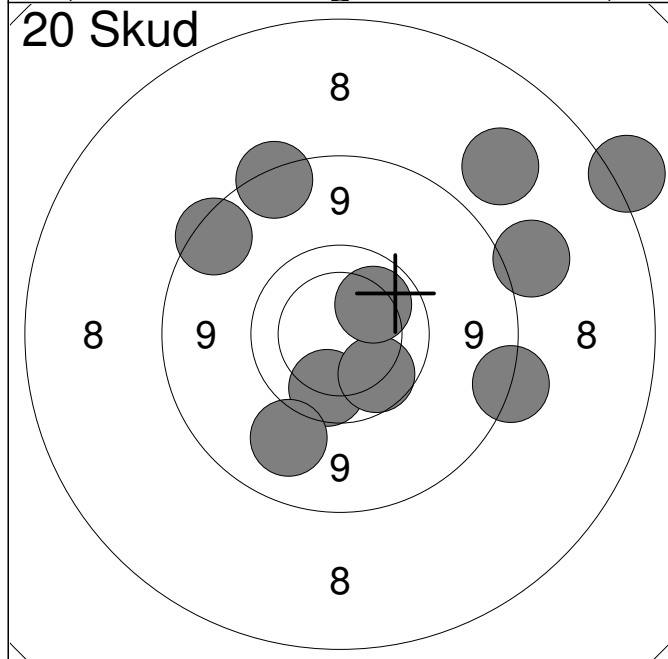
1:	8.6	↓
2:	8.2	→
3:	9.4	↗
4:	9.9	←
5:	8.7	↘
6:	9.8	→
7:	9.4	↓
8:	6.4	←
9:	9.4	↘
10:	9.5	←
<b>Serie</b>		<b>84.0</b>
<b>Total</b>		<b>84.0</b>



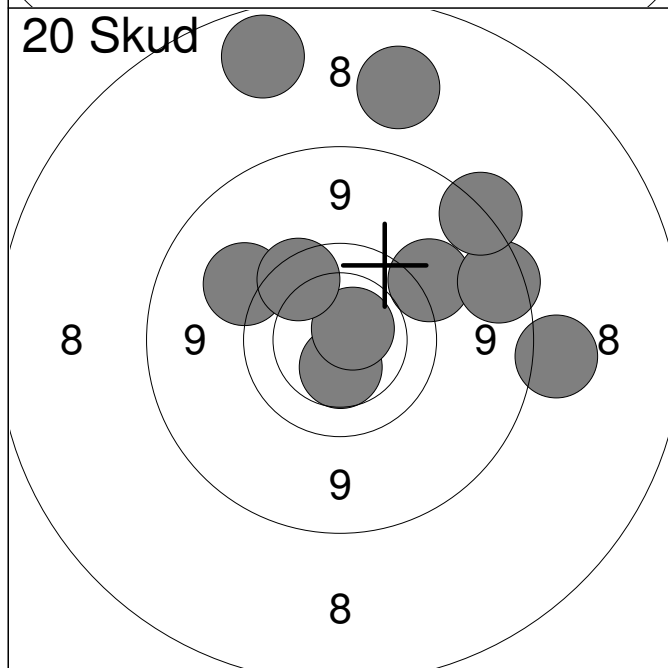
11:	8.5	←
12:	9.4	↗
13:	8.8	↘
14:	7.8	→
15:	9.8	↓
16:	10.0	↗
17:	10.4	←
18:	8.0	→
19:	7.9	→
20:	7.8	↓
<b>Serie</b>		<b>83.0</b>
<b>Total</b>		<b>167.0</b>



1:	9.3	→
2:	10.3	↗
3:	10.3	↘
4:	8.1	↘
5:	10.1	↘
<b>Serie</b>		<b>47.0</b>
<b>Total</b>		<b>0.0</b>

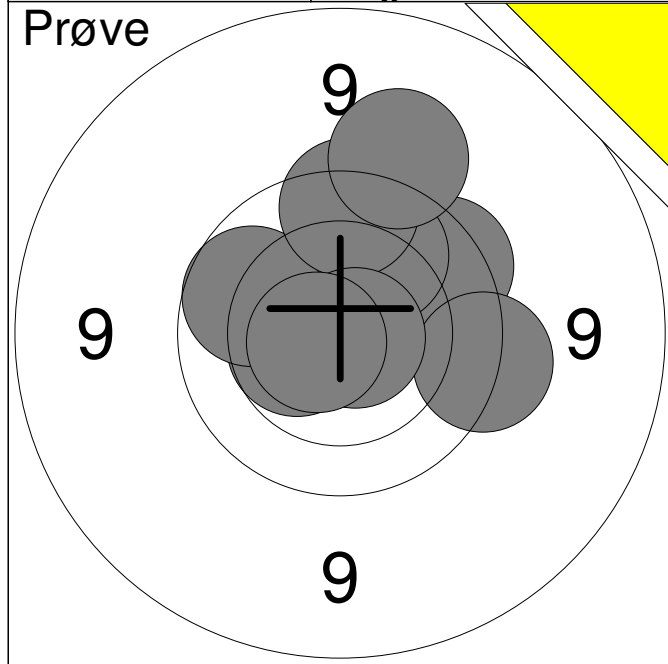


1:	9.9	↘
2:	8.7	↗
3:	8.8	↗
4:	8.5	→
5:	8.7	→
6:	9.9	↘
7:	9.2	↘
8:	8.3	↗
9:	7.6	→
10:	10.1	↗
<b>Serie</b>		<b>84.0</b>
<b>Total</b>		<b>84.0</b>

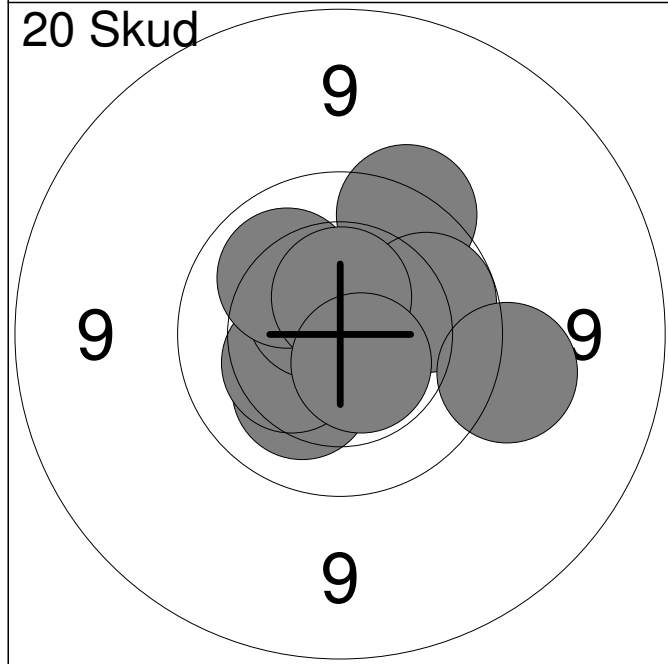


11:	9.4	↗
12:	8.8	→
13:	9.4	↖
14:	8.0	↗
15:	10.5	↘
16:	10.6x	↗
17:	8.2	↗
18:	8.5	→
19:	8.7	↗
20:	9.8	↖
<b>Serie</b>		<b>87.0</b>
<b>Total</b>		<b>171.0</b>

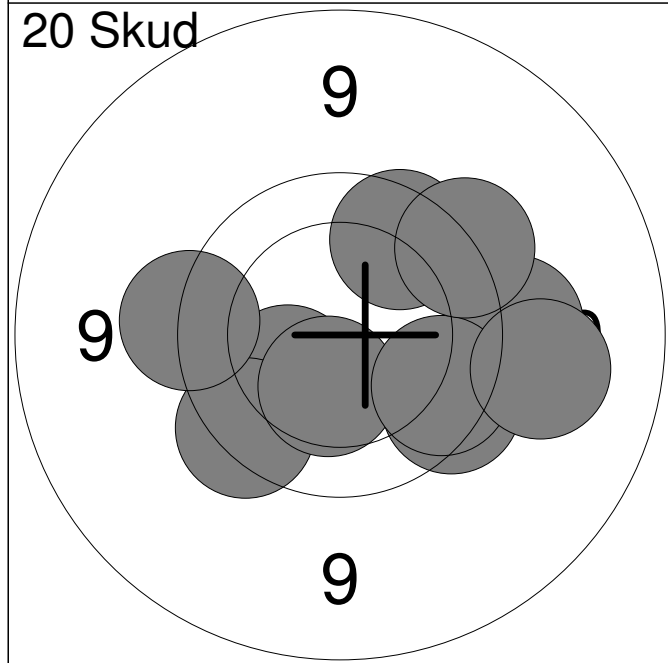




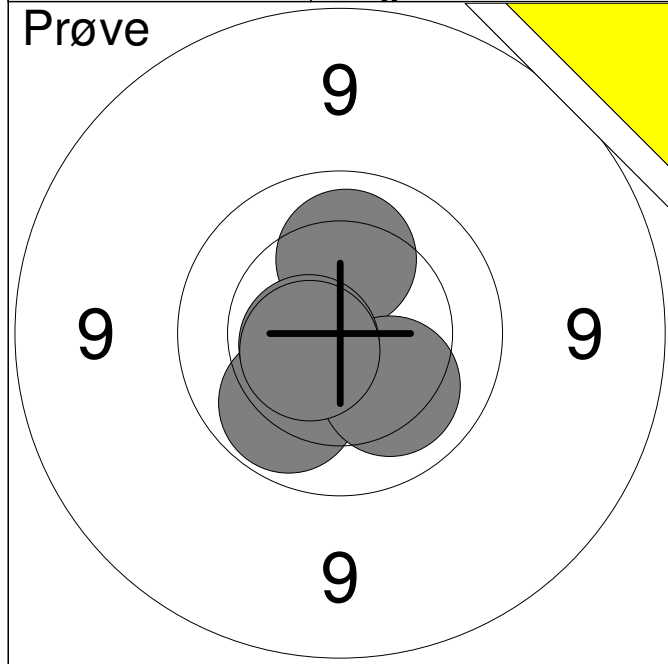
1:	9.8	↗
2:	10.5	↖
3:	10.0	↗
4:	9.9	↖
5:	9.7	↑
6:	9.6	→
7:	10.8x	→
8:	9.4	↑
9:	10.7x	↖
Serie		85.0
Total		0.0



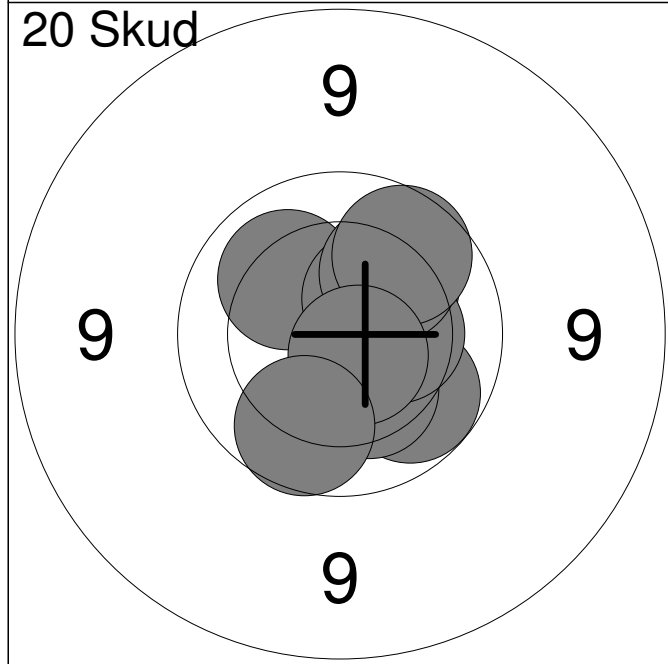
1:	10.7x	↘
2:	10.2	↘
3:	10.3	↖
4:	9.7	↗
5:	10.6x	↗
6:	10.0	→
7:	10.1	↗
8:	10.5x	↑
9:	9.5	→
10:	10.6x	↘
Serie		98.0
Total		98.0



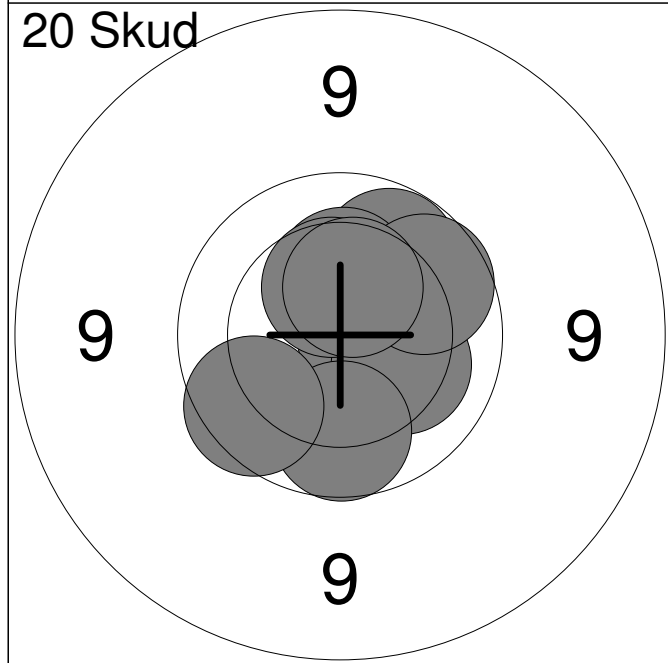
11:	10.2	↖
12:	9.7	↖
13:	9.7	↘
14:	10.4	↘
15:	9.8	↗
16:	9.6	↖
17:	9.5	→
18:	9.8	↘
19:	9.3	→
20:	9.6	↗
Serie		92.0
Total		190.0



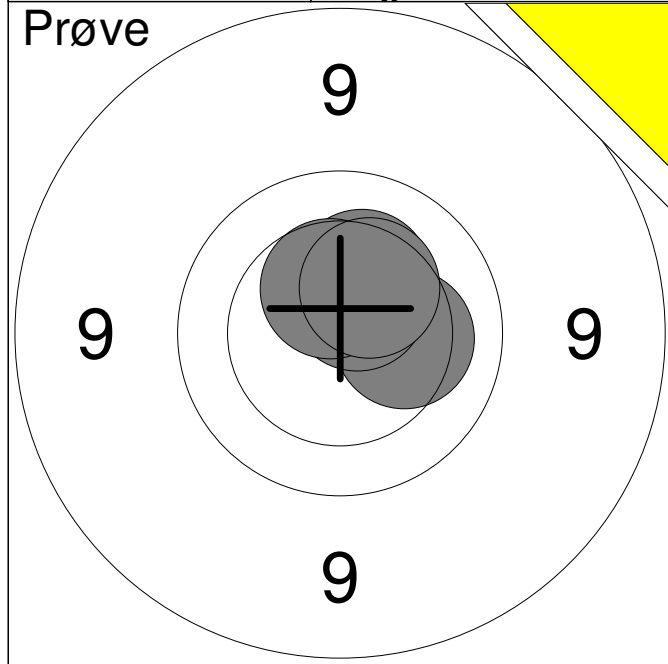
1:	10.1	↑
2:	10.0	↙
3:	10.2	↘
4:	10.6x	↙
5:	10.6x	↙
Serie		50.0
Total		0.0



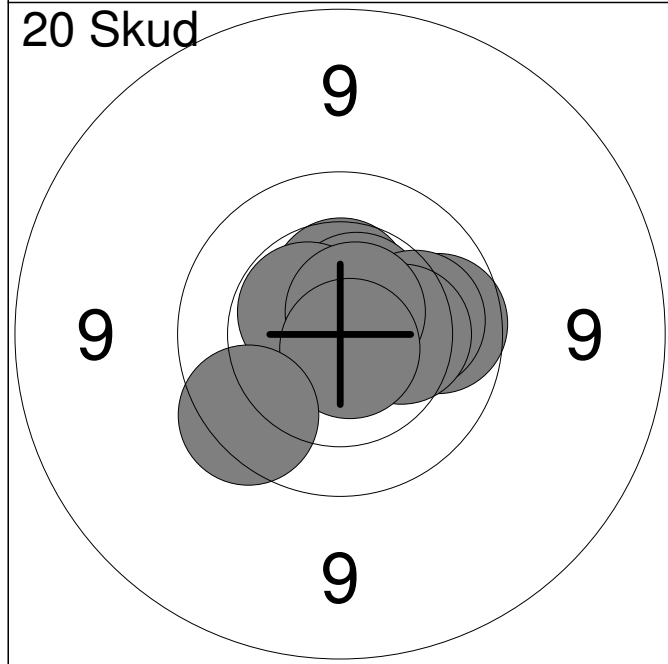
1:	10.0	↘
2:	10.2	↗
3:	10.1	↗
4:	10.3	↘
5:	10.4	↗
6:	10.4	→
7:	10.1	↗
8:	9.9	↗
9:	10.6x	↘
10:	9.9	↘
Serie		98.0
Total		98.0



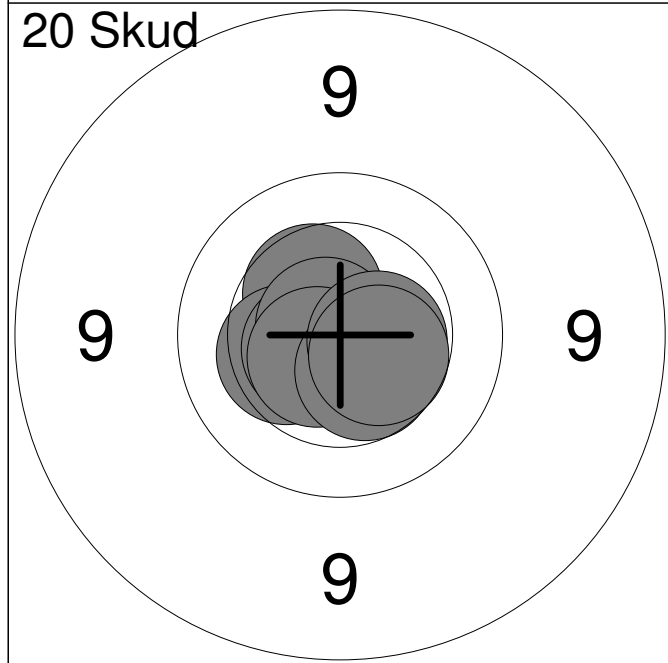
11:	10.7x	→
12:	10.0	↗
13:	10.2	↘
14:	9.9	↓
15:	10.0	↗
16:	9.8	↙
17:	10.3	↑
18:	10.4	↑
19:	9.9	↗
20:	10.4	↑
Serie		97.0
Total		195.0



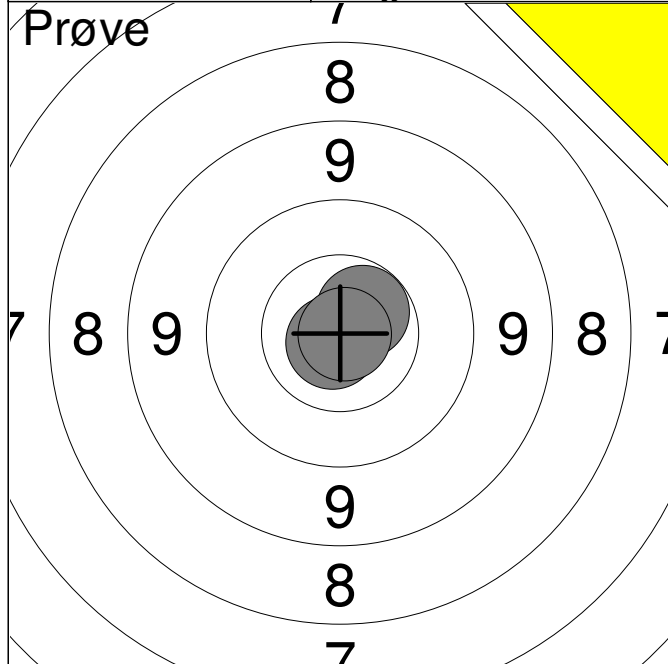
	1:	10.2	→
	2:	10.6x	↗
	3:	10.3	↗
	4:	10.5	↖
	5:	10.4	↗
<b>Serie</b>			<b>50.0</b>
<b>Total</b>			<b>0.0</b>



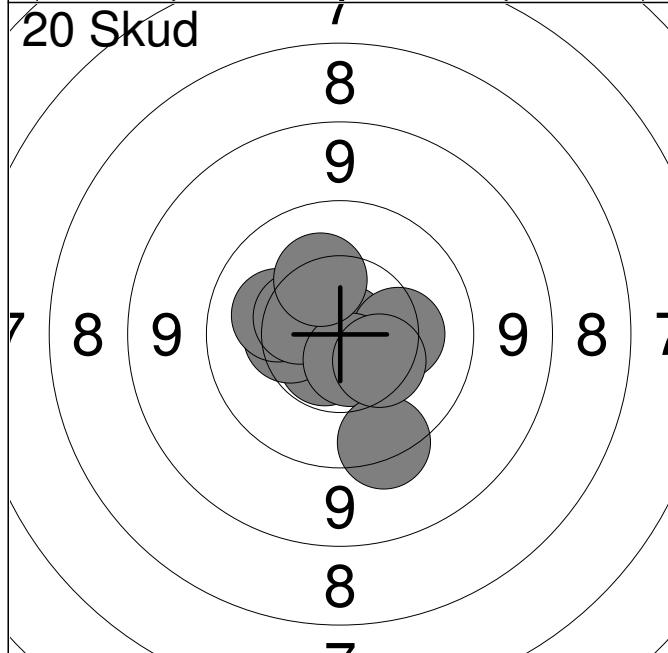
	1:	10.5	↑
	2:	9.9	→
	3:	10.6x	↗
	4:	10.1	→
	5:	10.8x	↗
	6:	10.3	→
	7:	10.5x	↗
	8:	10.7x	↗
	9:	10.8x	↘
	10:	9.8	↙
<b>Serie</b>			<b>98.0</b>
<b>Total</b>			<b>98.0</b>



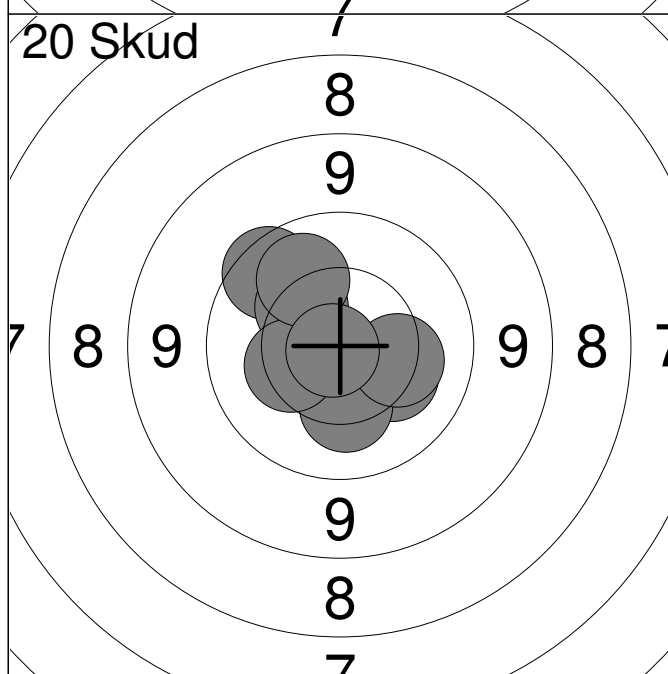
	11:	10.4	↗
	12:	10.8x	↘
	13:	10.6x	→
	14:	10.3	←
	15:	10.6x	←
	16:	10.8x	↗
	17:	10.6x	↙
	18:	10.5	↘
	19:	10.5x	→
	20:	10.5	↘
<b>Serie</b>			<b>100.0</b>
<b>Total</b>			<b>198.0</b>



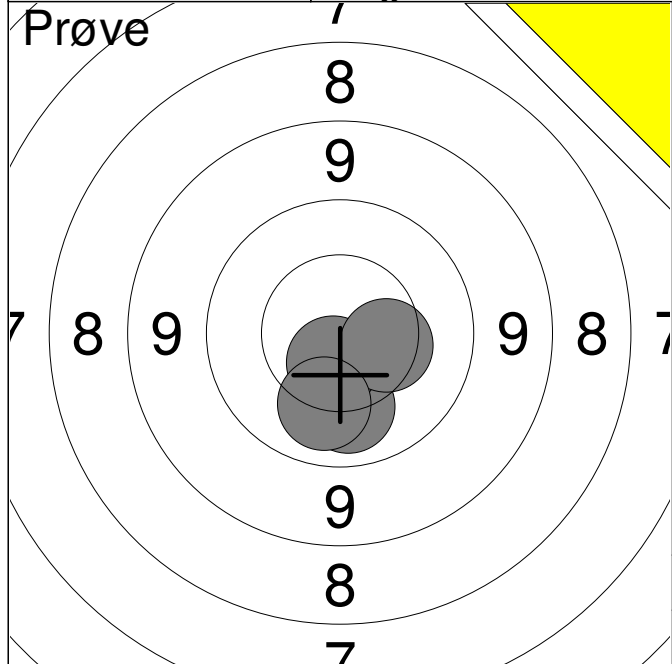
	1:	10.8x	↙
	2:	10.6	↗
	3:	10.9x	→
<hr/>			
Serie			30.0
Total			0.0



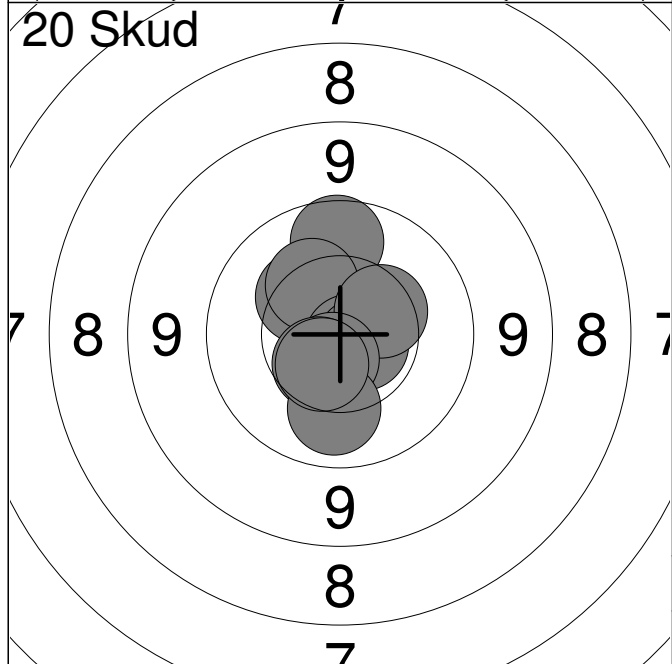
	1:	10.6x	↙
	2:	10.4	←
	3:	10.9x	↗
	4:	10.3	→
	5:	10.2	↖
	6:	10.4	↖
	7:	10.6x	↙
	8:	10.3	↗
	9:	9.6	↙
	10:	10.4	↙
<hr/>			
Serie			99.0
Total			99.0



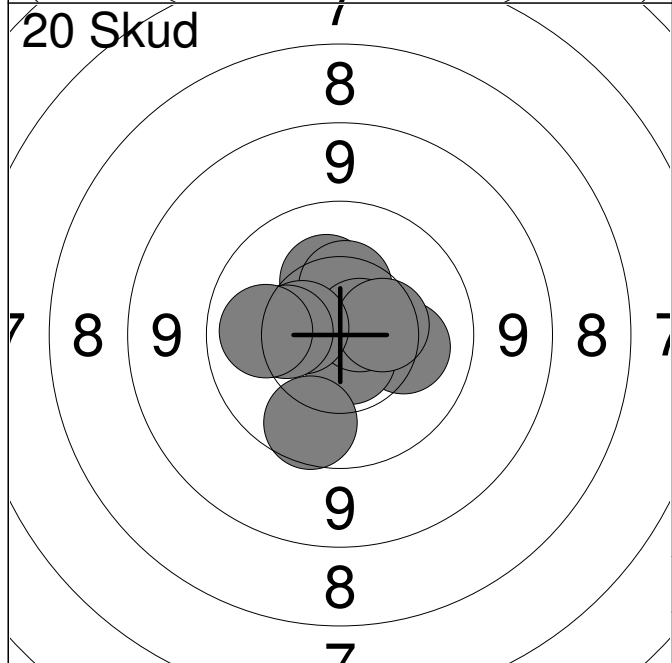
	11:	10.4	↙
	12:	9.8	↗
	13:	10.3	↙
	14:	10.7x	↙
	15:	10.3	↗
	16:	10.3	↙
	17:	10.3	→
	18:	10.3	←
	19:	10.1	↗
	20:	10.8x	↙
<hr/>			
Serie			99.0
Total			198.0



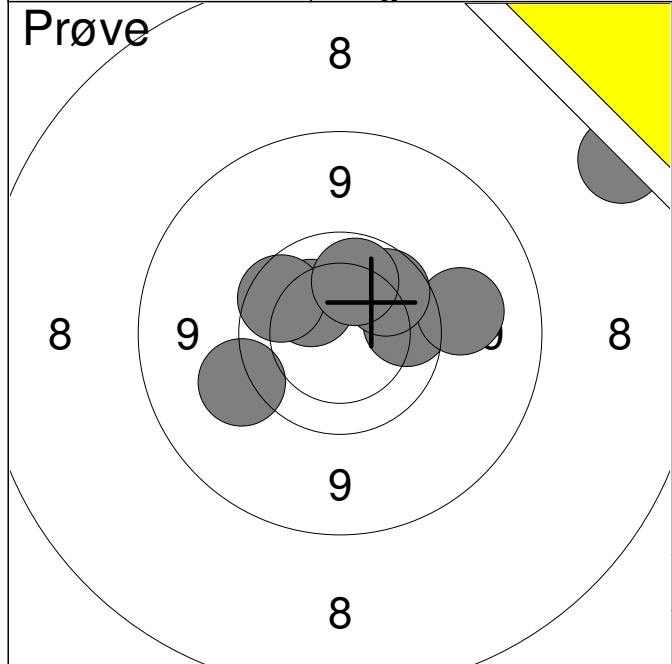
1:	10.1	↓
2:	10.6x	↓
3:	10.4	→
4:	10.1	↓
<b>Serie</b>		<b>40.0</b>
<b>Total</b>		<b>0.0</b>



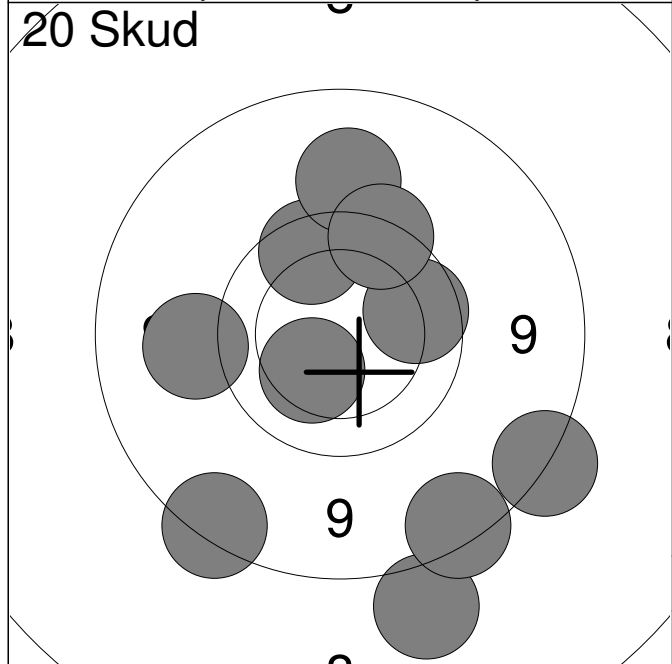
1:	9.9	↑
2:	10.3	↗
3:	10.3	↗
4:	10.8x	↓
5:	10.7x	→
6:	10.4	↗
7:	10.6x	↓
8:	10.5	↙
9:	10.1	↓
10:	10.5	↙
<b>Serie</b>		<b>99.0</b>
<b>Total</b>		<b>99.0</b>



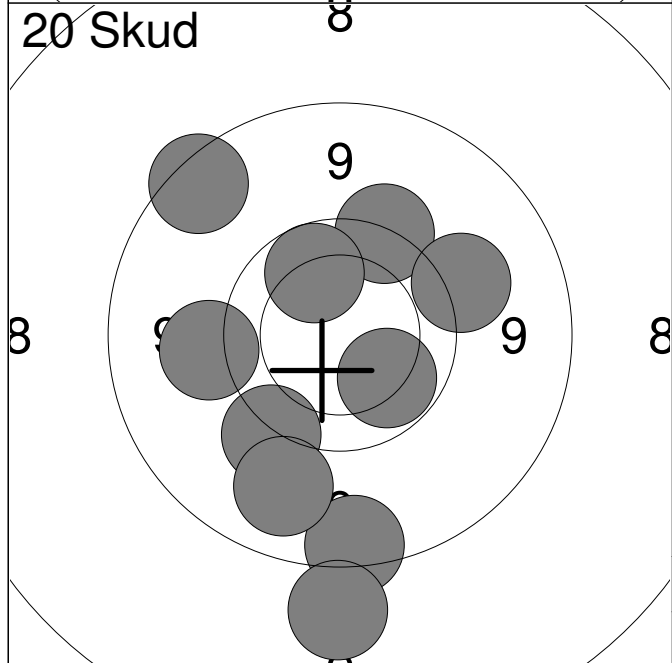
11:	10.2	→
12:	10.3	↑
13:	10.4	↑
14:	10.7x	↓
15:	10.7x	↗
16:	10.4	→
17:	10.5	←
18:	10.3	←
19:	10.1	←
20:	9.9	↓
<b>Serie</b>		<b>99.0</b>
<b>Total</b>		<b>198.0</b>



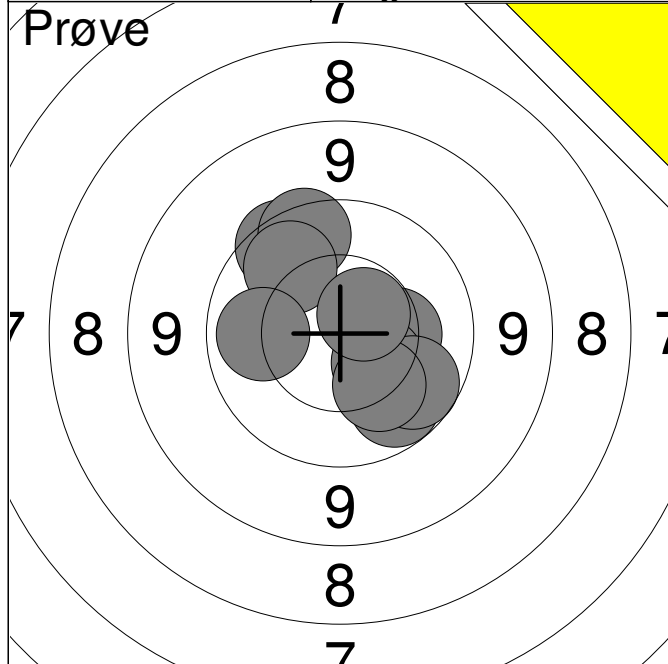
1:	9.9	→
2:	10.2	↗
3:	9.3	→
4:	7.8	↗
5:	9.8	↖
6:	9.9	↗
7:	10.0	↑
8:	9.4	↖
<b>Serie</b>		<b>72.0</b>
<b>Total</b>		<b>0.0</b>



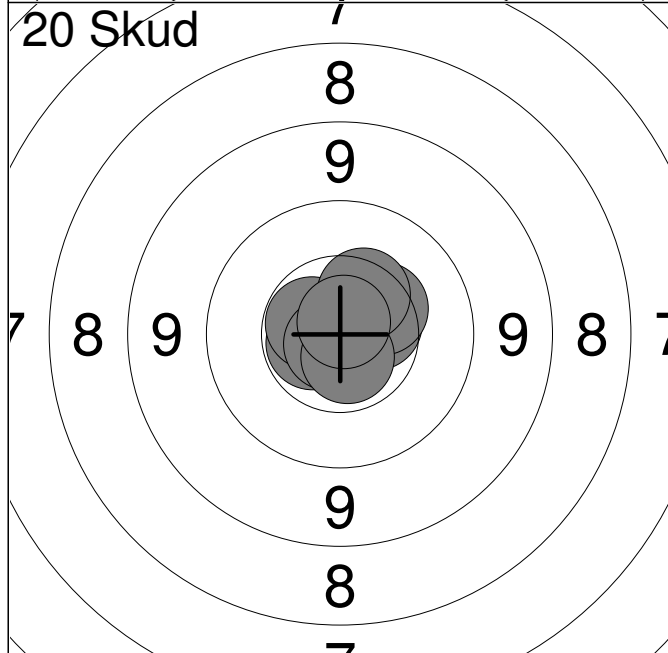
1:	9.8	↖
2:	8.5	↓
3:	9.9	→
4:	8.8	↖
5:	9.3	←
6:	8.8	↓
7:	8.7	↘
8:	9.3	↑
9:	10.3	↖
10:	9.7	↗
<b>Serie</b>		<b>87.0</b>
<b>Total</b>		<b>87.0</b>



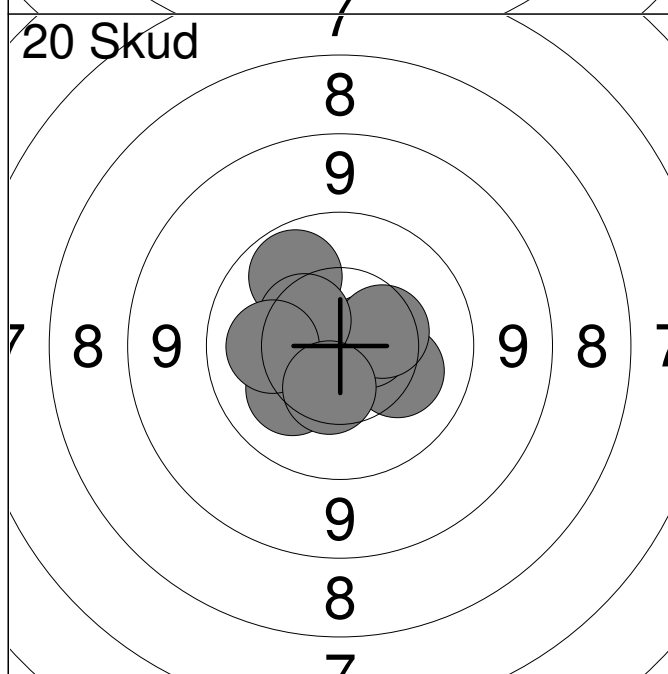
11:	8.8	↖
12:	9.4	←
13:	9.6	↗
14:	9.4	→
15:	8.8	↓
16:	9.9	↗
17:	10.0	↘
18:	8.4	↓
19:	9.5	↖
20:	9.1	↓
<b>Serie</b>		<b>88.0</b>
<b>Total</b>		<b>175.0</b>



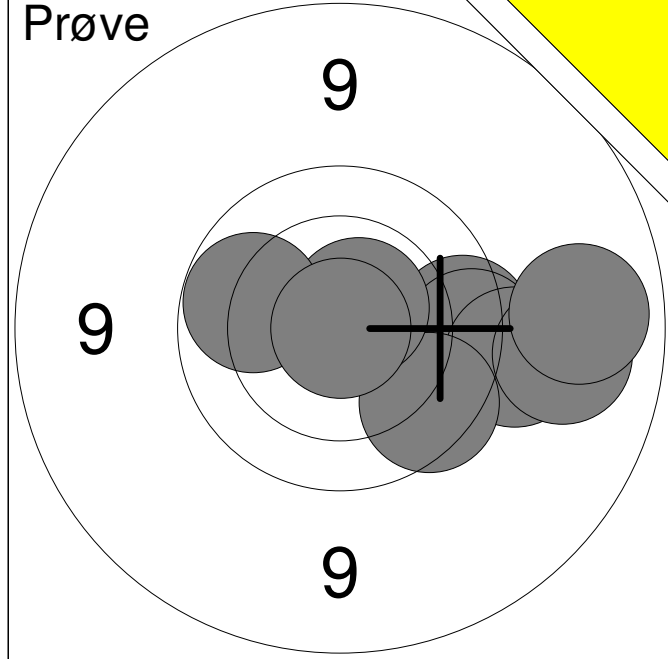
1:	10.0	↘
2:	9.7	↗
3:	9.7	↗
4:	10.3	→
5:	10.0	↗
6:	10.1	←
7:	10.4	↘
8:	9.9	↘
9:	10.2	↘
10:	10.6x	↗
<b>Serie</b>		<b>97.0</b>
<b>Total</b>		<b>0.0</b>



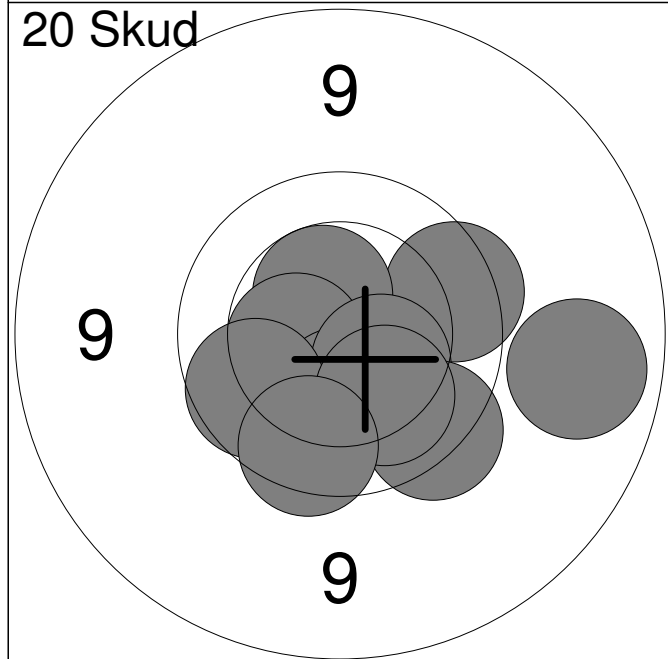
1:	10.5	→
2:	10.6x	←
3:	10.5	↗
4:	10.7x	↖
5:	10.6x	←
6:	10.4	↗
7:	10.4	↗
8:	10.8x	↖
9:	10.7x	↘
10:	10.8x	↗
<b>Serie</b>		<b>100.0</b>
<b>Total</b>		<b>100.0</b>



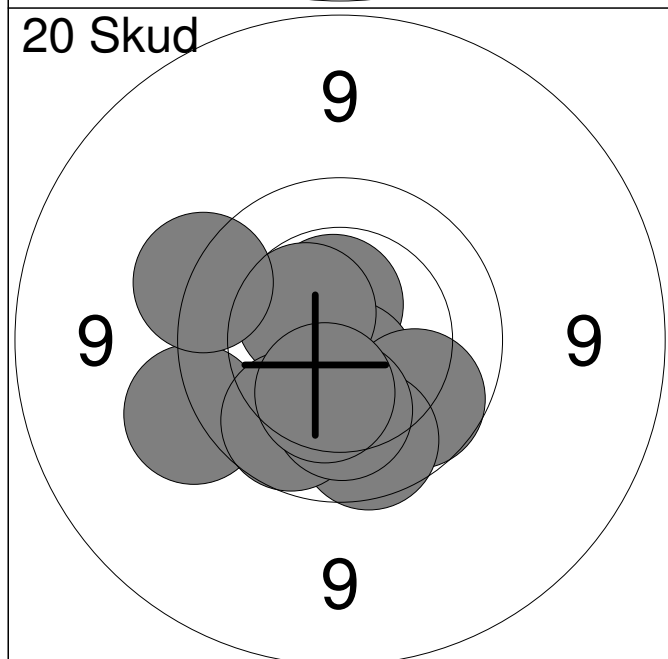
11:	10.8x	↘
12:	10.2	↖
13:	10.0	↗
14:	10.2	→
15:	10.7x	←
16:	10.6x	→
17:	10.4	→
18:	10.4	↗
19:	10.2	←
20:	10.5	↘
<b>Serie</b>		<b>100.0</b>
<b>Total</b>		<b>200.0</b>



1:	9.8	→
2:	9.7	→
3:	9.4	→
4:	9.1	→
5:	9.8	↓
6:	10.7x	↗
7:	10.0	←
8:	9.0	→
9:	10.9x	↓
<b>Serie</b>		<b>84.0</b>
<b>Total</b>		<b>0.0</b>

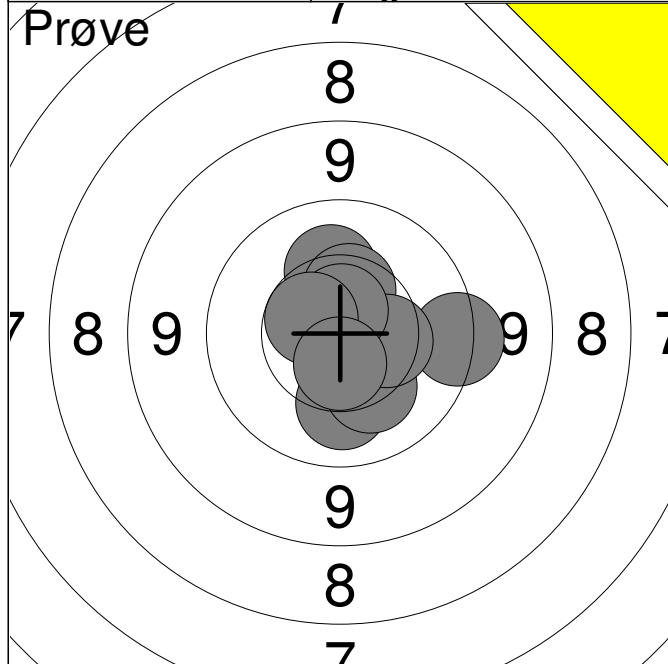


1:	9.8	→
2:	9.0	→
3:	10.5x	↗
4:	10.5	←
5:	10.3	↓
6:	10.4	↓
7:	9.9	←
8:	9.7	↓
9:	10.1	↓
10:	9.8	↓
<b>Serie</b>		<b>95.0</b>
<b>Total</b>		<b>95.0</b>



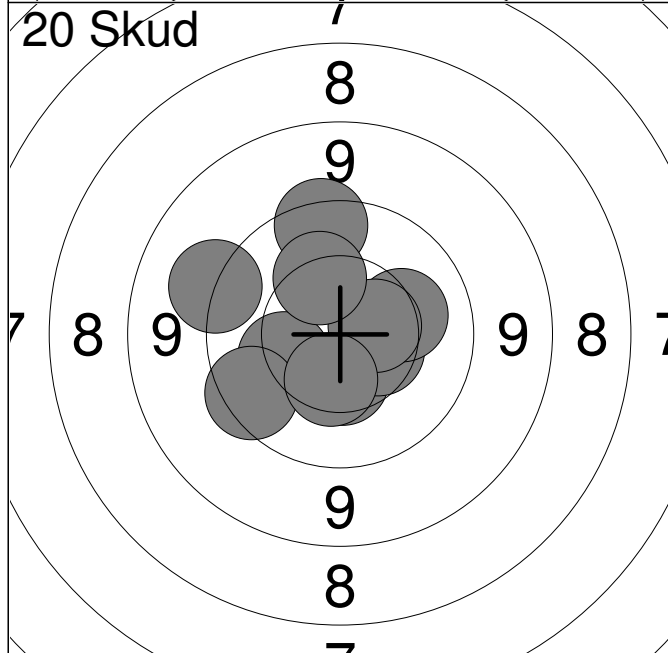
11:	9.5	←
12:	10.6x	↗
13:	10.6x	↓
14:	9.9	↓
15:	10.5	↗
16:	9.9	↓
17:	9.9	←
18:	10.2	↓
19:	9.6	↗
20:	10.4	↓
<b>Serie</b>		<b>95.0</b>
<b>Total</b>		<b>190.0</b>





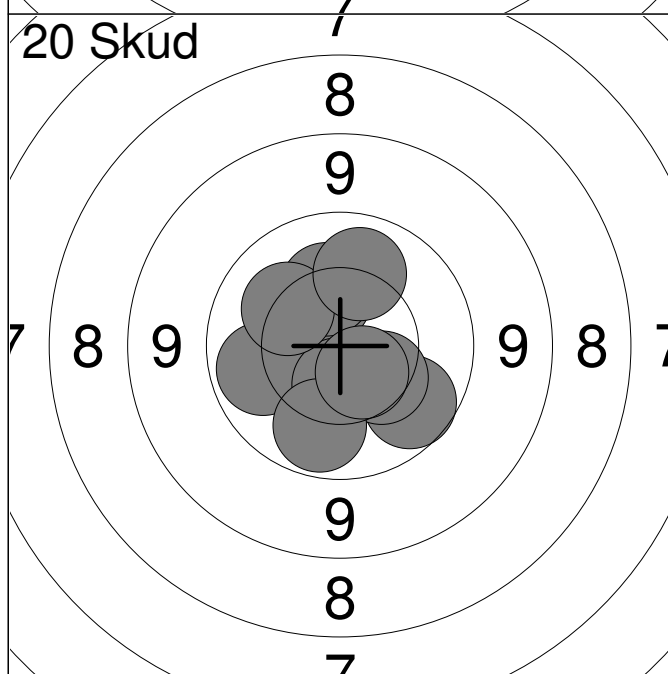
1:	10.1	↓
2:	10.2	↓
3:	10.2	↑
4:	9.6	→
5:	10.4	↑
6:	10.4	→
7:	10.7x	↑
8:	10.6	↖
9:	10.6x	↓

Serie	89.0
Total	0.0



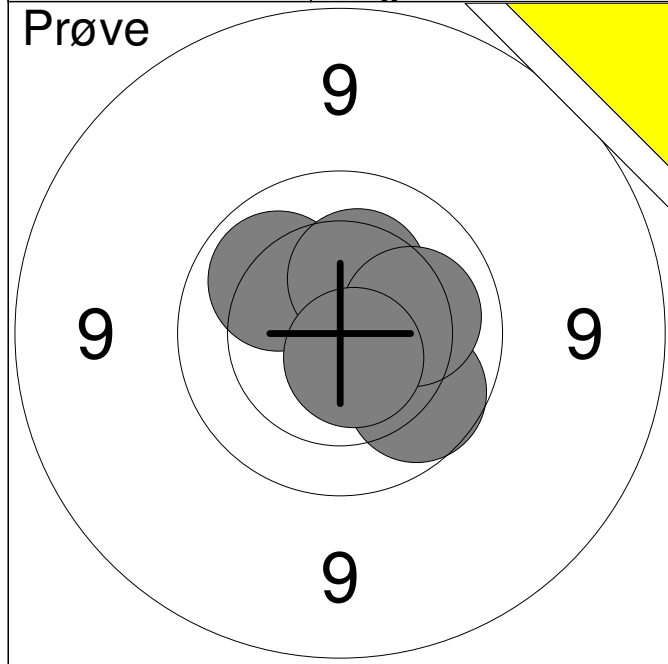
1:	10.2	↙
2:	10.4	↓
3:	10.5	→
4:	10.2	→
5:	10.5	→
6:	9.4	↖
7:	9.7	↙
8:	9.6	↑
9:	10.4	↓
10:	10.3	↑

Serie	97.0
Total	97.0

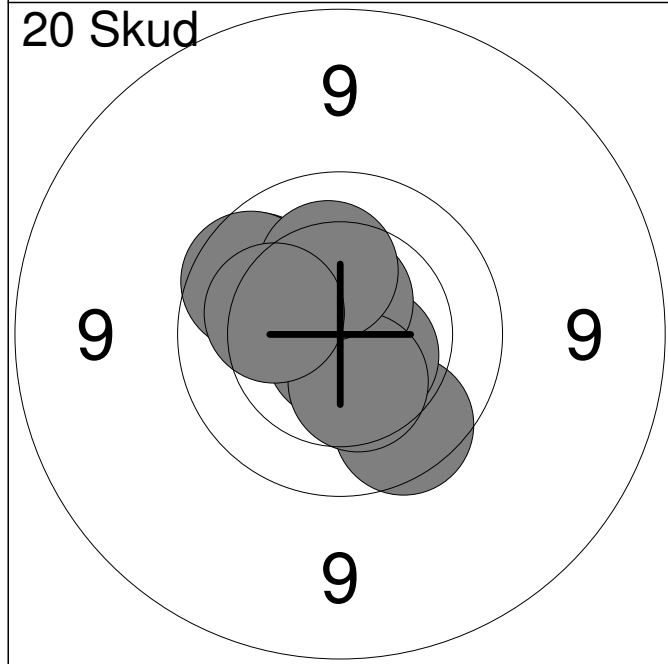


11:	10.0	↙
12:	10.4	↑
13:	10.5	↓
14:	10.3	↑
15:	9.9	↓
16:	10.3	↓
17:	10.0	↓
18:	10.2	↖
19:	10.1	↑
20:	10.5	↓

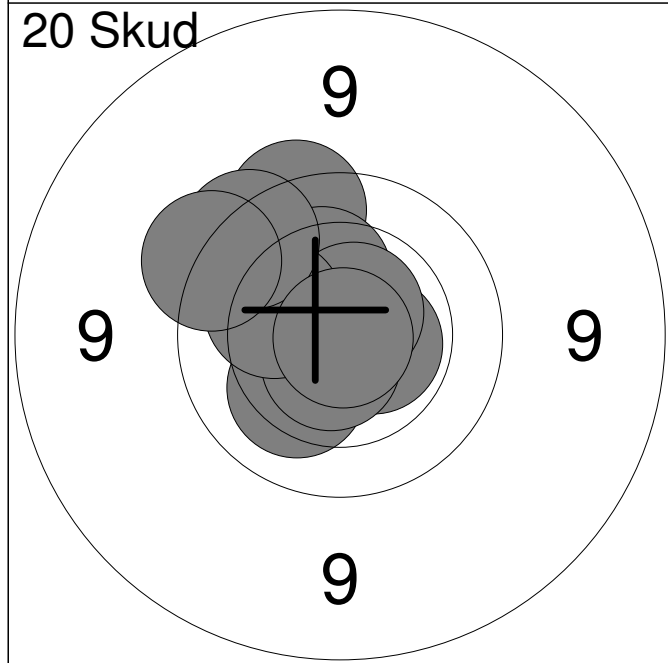
Serie	99.0
Total	196.0



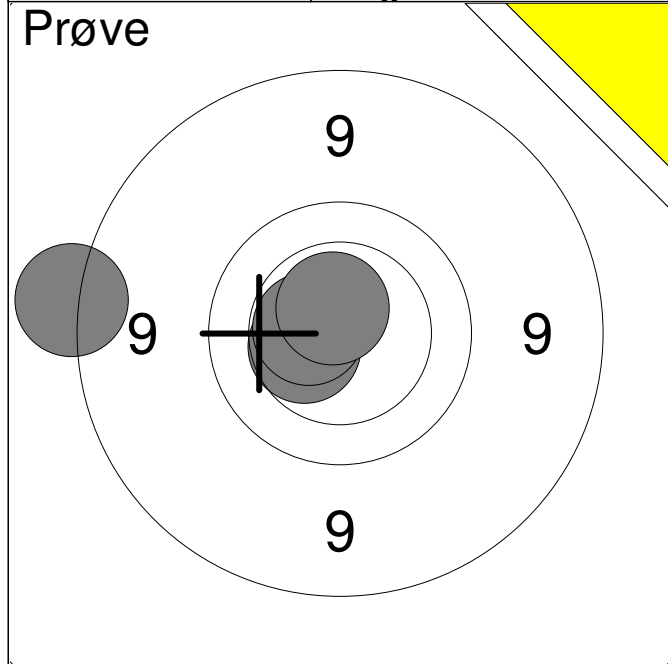
1:	9.9	↘
2:	10.1	↗
3:	10.3	↗
4:	10.2	→
5:	10.6x	↘
Serie		49.0
Total		0.0



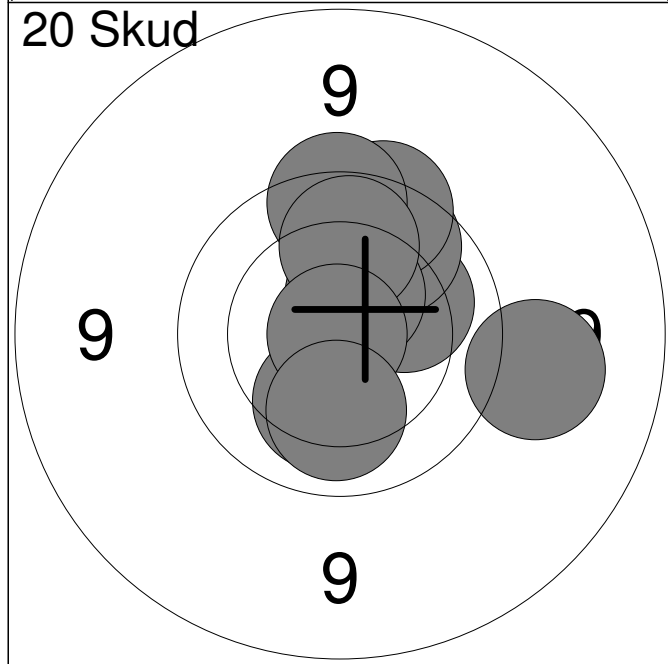
1:	9.8	↘
2:	10.8x	↘
3:	10.6x	↘
4:	9.9	↗
5:	10.8x	↘
6:	10.6x	↗
7:	10.4	↘
8:	9.9	↗
9:	10.3	↗
10:	10.2	↖
Serie		97.0
Total		97.0



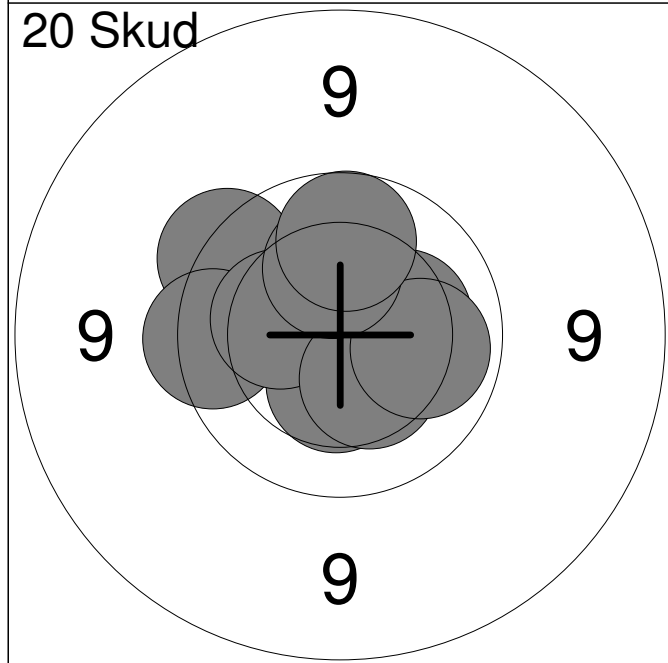
11:	10.2	↖
12:	9.7	↗
13:	10.6x	→
14:	10.7x	↘
15:	10.3	↗
16:	10.7x	↗
17:	10.2	↗
18:	9.7	↗
19:	9.6	↗
20:	10.9x	↘
Serie		97.0
Total		194.0



1:	8.6	←
2:	10.4	←
3:	10.5x	←
4:	10.6x	↑
<b>Serie</b>		<b>38.0</b>
<b>Total</b>		<b>0.0</b>



1:	10.2	↗
2:	9.3	→
3:	9.9	↗
4:	9.7	↑
5:	9.7	↑
6:	10.5x	↗
7:	10.2	↓
8:	10.0	↑
9:	10.9x	←
10:	10.1	↓
<b>Serie</b>		<b>96.0</b>
<b>Total</b>		<b>96.0</b>



11:	10.3	→
12:	10.3	←
13:	10.4	↓
14:	9.7	↗
15:	9.7	←
16:	10.3	←
17:	10.4	↓
18:	10.1	→
19:	10.2	↑
20:	9.9	↑
<b>Serie</b>		<b>97.0</b>
<b>Total</b>		<b>193.0</b>